

Fig.1. CYLINDER BLOCK

(A)=3TNV76-HGEP

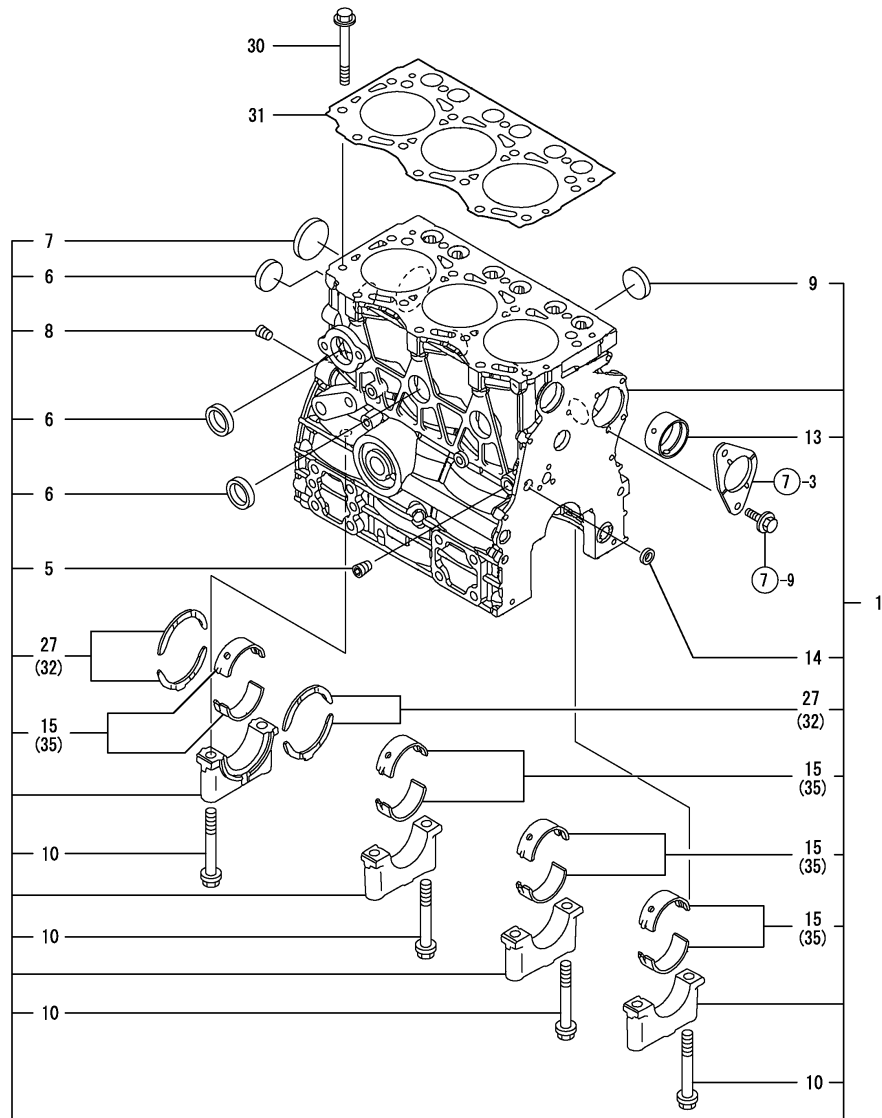
(B)=

(C)=

(D)=

(E)=

(F)=



REF.	LEV.	PARTS NO.	DESCRIPTION	Q'TY						I	R
				(A)	(B)	(C)	(D)	(E)	(F)		
1	1	719717-01561	BLOCK ASSY, CYLINDER	1							
5	2	124060-01050	PLUG PT1/8	1							
6	2	105311-01090	PLUG 30 (SUS)	4							
7	2	119623-01250	PLUG 45	1							
8	2	124160-01910	PLUG PT1/4	1							
9	2	119285-01990	PLUG 25	3							
10	2	119620-02020	BOLT	8							
13	2	119717-02411	BUSH, CAMSHAFT	1							
14	2	27241-120000	PLUG 12	1							
15	2	719717-02901	MAIN BEARING SET	4							2
27	2	119717-02930	BEARING, THRUST	2							
30	1	119810-01200	BOLT, CYL. HEAD	14							
31	1	119717-01330	GASKET, CYL.HEAD	1							
32	1	119810-02941	BEARING,THRUST .25OS	2							1
35	1	719717-02911	MAIN METAL US=0.25	4							3

Remarks  
 (1) OVER-SIZE(O.S=0.25)PART.  
 (2) REPAIR PART.  
 (3) UNDER-SIZE(U.S=0.25)PART.

Fig.2. GEAR HOUSING

(A)=3TNV76-HGEP

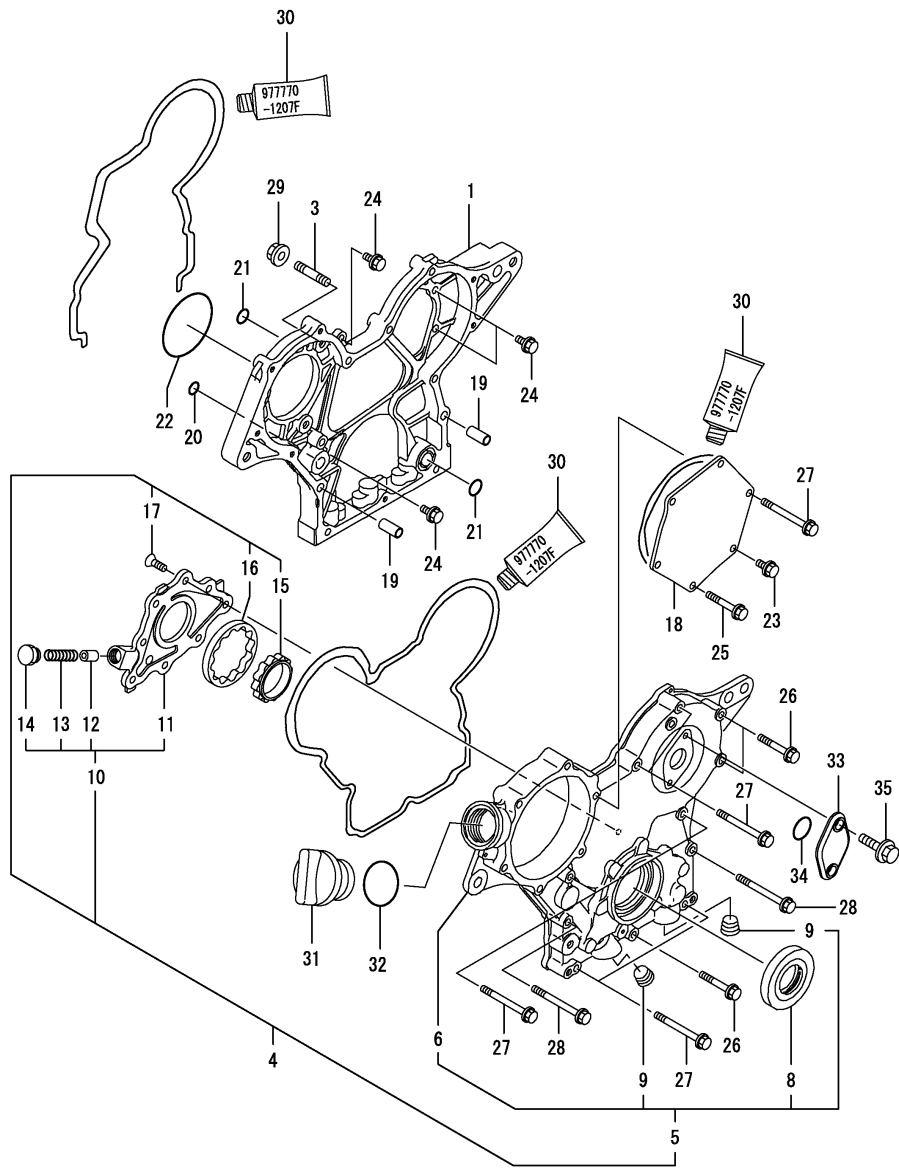
(B)=

(C)=

(D)=

(E)=

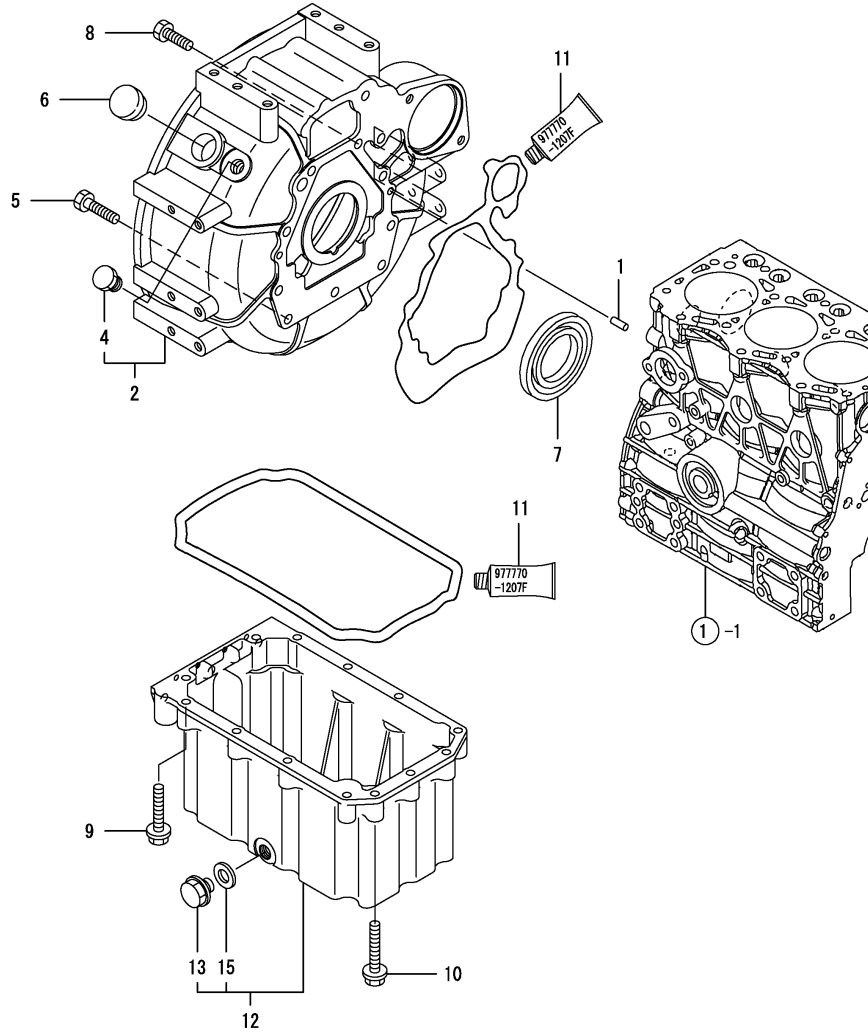
(F)=



REF.	LEV.	PARTS NO.	DESCRIPTION	Q'TY						I	R
				(A)	(B)	(C)	(D)	(E)	(F)		
1	1	119717-01501	CASE, GEAR	1							
3	1	119717-01570	BOLT, STUD M8	3							
4	1	119744-01590	COVER ASSY,GEAR CASE	1							
5	2	719744-01500	COVER ASSY,GEAR CASE	1							
6	3	119744-01521	COVER, GEAR CASE	1							
8	3	119620-01800	SEAL, OIL	1							
9	3	23876-030000	PLUG PT3/8,SCREW	2							
10	2	119717-32100	COVER ASSY, PUMP	1							
11	3	119717-32080	COVER, LUB.OIL PUMP	1							
12	3	129900-32130	VALVE, RELIEF	1							
13	3	129001-32320	SPRING	1							
14	3	129001-32330	PLUG	1							
15	2	119717-32110	ROTOR, INNER	1							
16	2	119717-32120	ROTOR, OUTER	1							
17	2	119802-32130	SCREW, M6X16	8							
18	1	119717-01750	COVER, PUMP TIMING	1							
19	1	119660-01911	PIPE, KNOCK	4							
20	1	119624-32040	O-RING P 12.0	1							
21	1	119717-32050	O-RING, P17.0	3							
22	1	121850-51960	O-RING, F.I.PUMP	1							
23	1	26106-060122	BOLT M 6X 12 PLATED	1							
24	1	26106-060162	BOLT M 6X 16 PLATED	4							
25	1	26106-060402	BOLT M 6X 40 PLATED	4							
26	1	26106-060402	BOLT M 6X 40 PLATED	3							
27	1	26106-060602	BOLT M 6X 60 PLATED	7							
28	1	26106-060652	BOLT M 6X 65 PLATED	2							
29	1	26306-080002	NUT	3							
30	1	977770-1207F	GASKET.LIQUID	1							1
31	1	124160-01751	COVER,FILLER	1							
32	1	24311-000320	O-RING 1A P-32.0	1							
33	1	121023-01551	COVER, BLIND	1							
34	1	24341-000240	O-RING 1A S-24.0	1							
35	1	26106-060162	BOLT M 6X 16 PLATED	2							

Remarks  
 (1) OPTIONAL PART.

Fig.3. FLYWHEEL HOUSING & OIL SUMP



Y00R6800 3. FLYWHEEL HOUSING & OIL SUMP

(A)=3TNV76-HGEP

(B)=

(C)=

(D)=

(E)=

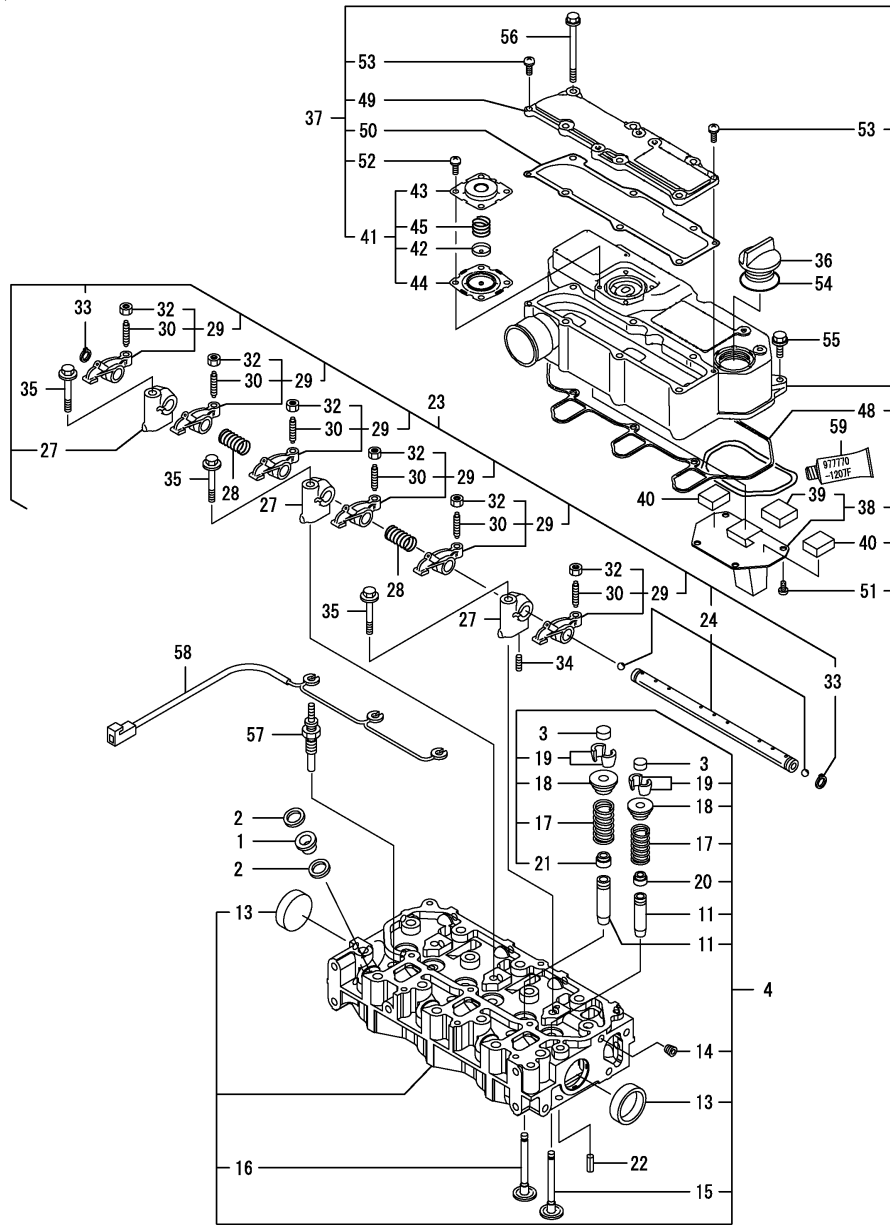
(F)=

REF.	LEV.	PARTS NO.	DESCRIPTION	Q'TY						I	R
				(A)	(B)	(C)	(D)	(E)	(F)		
1	1	129100-01580	PARALLEL PIN 8X16	2							
2	1	119717-01611	HOUSING, FLYWHEEL	1							
4	2	129486-35210	PLUG	1							
5	1	121120-01620	BOLT M 10X 28	3							
6	1	119620-01750	CAP, FLYWHEEL COVER	1							
7	1	124085-02220	SEAL, OIL	1							
8	1	26206-100252	BOLT M10X25	8							
9	1	26106-080452	BOLT M 8X 45 PLATED	11							
10	1	26106-080502	BOLT M 8X 50 PLATED	3							
11	1	977770-1207F	GASKET.LIQUID	1							1
12	1	119744-01770	SUMP ASSY, LUB.OIL	1							
13	2	105425-01690	PLUG M16	1							
15	2	22190-160002	SEAL WASHER 16S	1							

Remarks

(1) OPTIONAL PART.

Fig.4. CYLINDER HEAD & BONNET



(A)=3TNV76-HGEP

(B)=

(C)=

(D)=

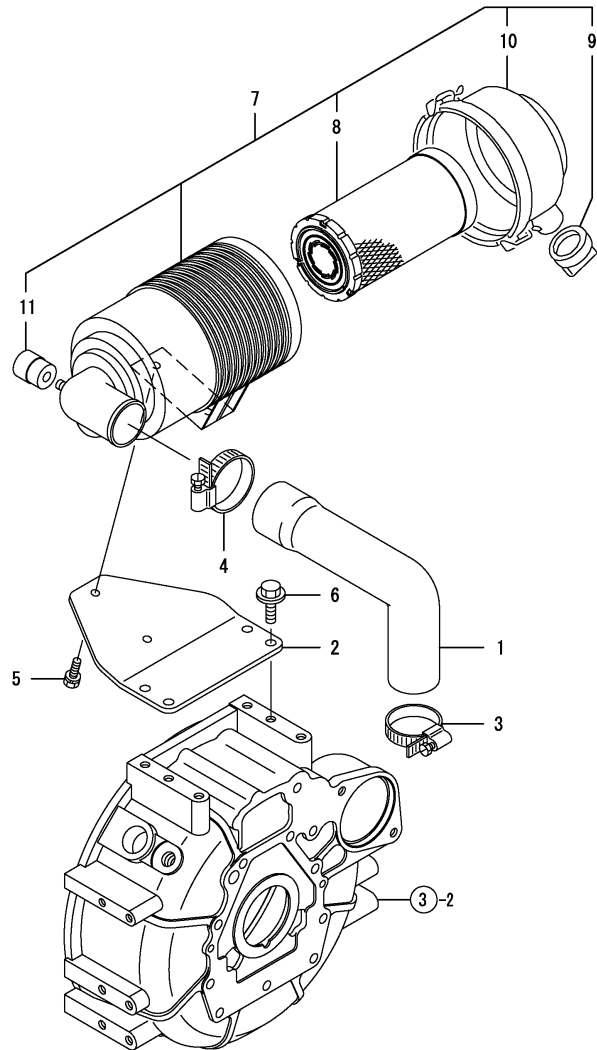
(E)=

(F)=

REF.	LEV.	PARTS NO.	DESCRIPTION	Q'TY						I	R
				(A)	(B)	(C)	(D)	(E)	(F)		
1	1	129901-11450	PROTECTOR, NOZZLE	3							
2	1	119600-11460	GASKET, NOZZLE	6							
3	1	105010-11490	CAP, VALVE	6							
4	1	119746-11740	HEAD ASSY, CYLINDER	1							
11	2	119717-11800	GUIDE, VALVE	6							1
13	2	119285-11990	PLUG 35	2							
14	2	23876-005000	PLUG PT 1/16,SCREW	1							
15	2	119717-11101	VALVE, INTAKE	3							
16	2	119717-11110	VALVE, EXHAUST	3							
17	2	119717-11131	SPRING, VALVE	6							
18	2	129508-11180	RETAINER, SPRING	6							
19	2	119717-11190	COTTER, VALVE	12							
20	2	119717-11340	SEAL, VALVE STEM	3							
21	2	119717-11350	SEAL, VALVE STEM	3							
22	1	22351-060012	SPRING PIN 6X12	2							
23	1	119717-11200	SUPPORT ASSY, ARM	1							
24	2	119717-11240	SHAFT ASSY, ROCKER	1							
27	2	119717-11260	SUPPORT, ROCKER ARM	3							
28	2	119620-11280	SPRING	2							
29	2	119717-11650	ARM ASSY, ROCKER	6							
30	3	129150-11230	SCREW, VALVE	6							
32	3	129150-11750	NUT M8XP1.0	6							
33	2	22242-000120	CIRCLIP 12	2							
34	2	26979-050162	SCREW M 5X16	1							
35	1	26106-080402	BOLT M 8X 40 PLATED	3							
36	1	124160-01751	COVER,FILLER	1							
37	1	119717-11381	BONNET ASSY, HEAD	1							
38	2	119717-03031	PLATE, BAFFLE	1							
39	3	119717-03070	BAFFLE, BREATHER	1							
40	2	119717-03070	BAFFLE, BREATHER	2							
41	2	119802-03100	DIAPHRAGM ASSY	1							
42	3	119802-03110	PLATE, DIAPHRAGM	1							
43	3	119802-03121	COVER, DIAPHRAGM	1							
44	3	119802-03131	DIAPHRAGM	1							
45	3	119802-03141	SPRING, DIAPHRAGM	1							
48	2	119718-11310	GASKET, BONNET	1							
49	2	119717-11320	COVER, BONNET	1							
50	2	119717-11331	GASKET,BONNET COVER	1							
51	2	22857-500100	SCREW 5X10,TAPPING	4							
52	2	22857-500100	SCREW 5X10,TAPPING	4							
53	2	22857-500160	SCREW 5X16	2							
54	1	24311-000320	O-RING 1A P-32.0	1							
55	1	26106-060202	BOLT M 6X 20 PLATED	3							
56	1	26106-060752	BOLT M 6X 75 PLATED	6							
57	1	119717-77800	PLUG, GLOW	3							
58	1	119717-77820	CONNECTOR, GLOW PLUG	1							
59	1	977770-1207F	GASKET.LIQUID	1							2

Remarks  
 (1) REPAIR PART.  
 (2) OPTIONAL PART.

Fig.5. AIR CLEANER



(A)=3TNV76-HGEP

(B)=

(C)=

(D)=

(E)=

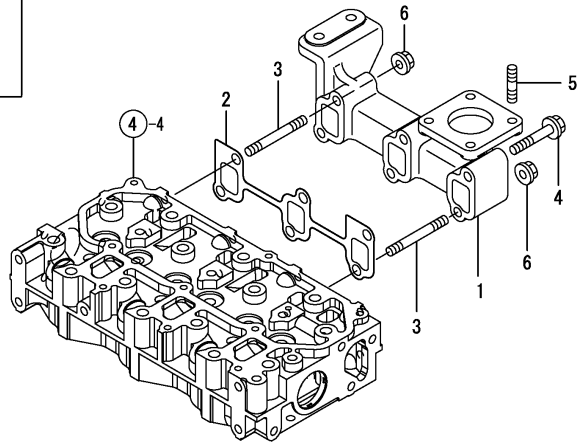
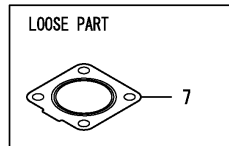
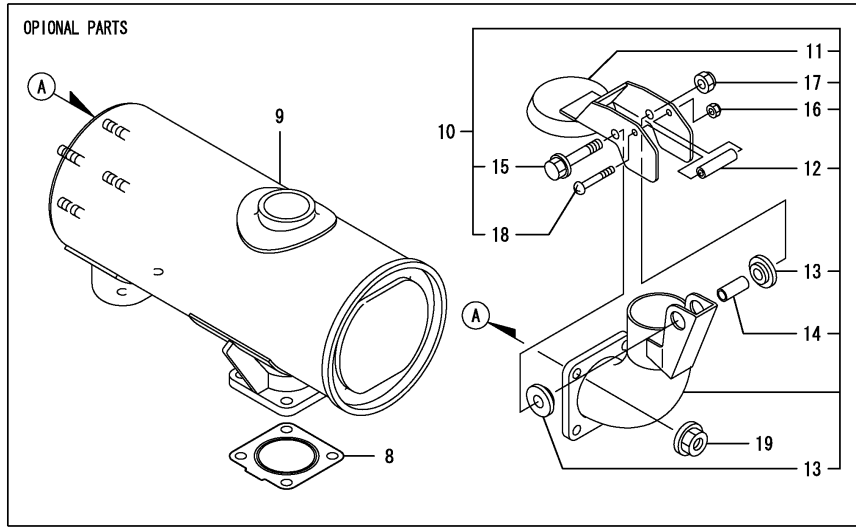
(F)=

REF.	LEV.	PARTS NO.	DESCRIPTION	Q'TY						I	R
				(A)	(B)	(C)	(D)	(E)	(F)		
1	1	119746-12550	HOSE,INTAKE	1							
2	1	119746-12600	BRACKET(AIR CLEANER	1							
3	1	23000-054000	CLAMP 54	1							
4	1	23000-060000	CLAMP 60	1							
5	1	26013-080162	BOLT W/WASHER M8X16	2							
6	1	26106-100182	BOLT M10X 18 PLATED	4							
7	1	119746-12510	CLEANER ASSY, AIR	1							
8	2	129004-12520	ELEMENT 5INCH	1							
9	2	119808-12540	VALVE, UNLOADER	1							
10	2	119866-12541	COVER ASSY	1							
11	2	126650-12680	INDICATOR	1							

Remarks

\* THIS FIGURE(AIR CLEANER ASSY)IS  
OPTIONAL PART.

Fig.6. EXHAUST MANIFOLD & SILENCER



Remarks  
(1) OPTIONAL PARTS.

(A)=3TNV76-HGEP

(B)=

(C)=

(D)=

(E)=

(F)=

REF.	LEV.	PARTS NO.	DESCRIPTION	Q'TY						I	R
				(A)	(B)	(C)	(D)	(E)	(F)		
1	1	119717-13109	MANIFOLD, EXHAUST	1							
2	1	119717-13110	GASKET, MANIFOLD	1							
3	1	119717-13600	STUD, M8X50	2							
4	1	119802-13620	BOLT M 8X 50 PLATED	2							
5	1	119131-18320	BOLT M 8X 22	4							
6	1	26306-080002	NUT	2							
7	1	119515-13200	GASKET, SILENCER	1							
8	1	119515-13200	GASKET, SILENCER	2							1
9	1	119717-13500	SILENCER	1							1
10	1	129005-13600	PIPE ASSY, TAIL	1							1
11	2	119358-13640	RAINCAP, MUFFLER	1							1
12	2	121855-13821	SPACER(A)	1							1
13	2	121855-13830	SPACER(B)	2							1
14	2	123500-13840	SPACER(C)	1							1
15	2	26106-060402	BOLT M 6X 40 PLATED	1							1
16	2	26347-040002	U-NUT M 4	1							1
17	2	26347-060002	U-NUT M 6	1							1
18	2	26557-040352	SCREW M 4X 35	1							1
19	1	26306-080002	NUT	4							1

Fig.7. CAMSHAFT & DRIVING GEAR

(A)=3TNV76-HGEP

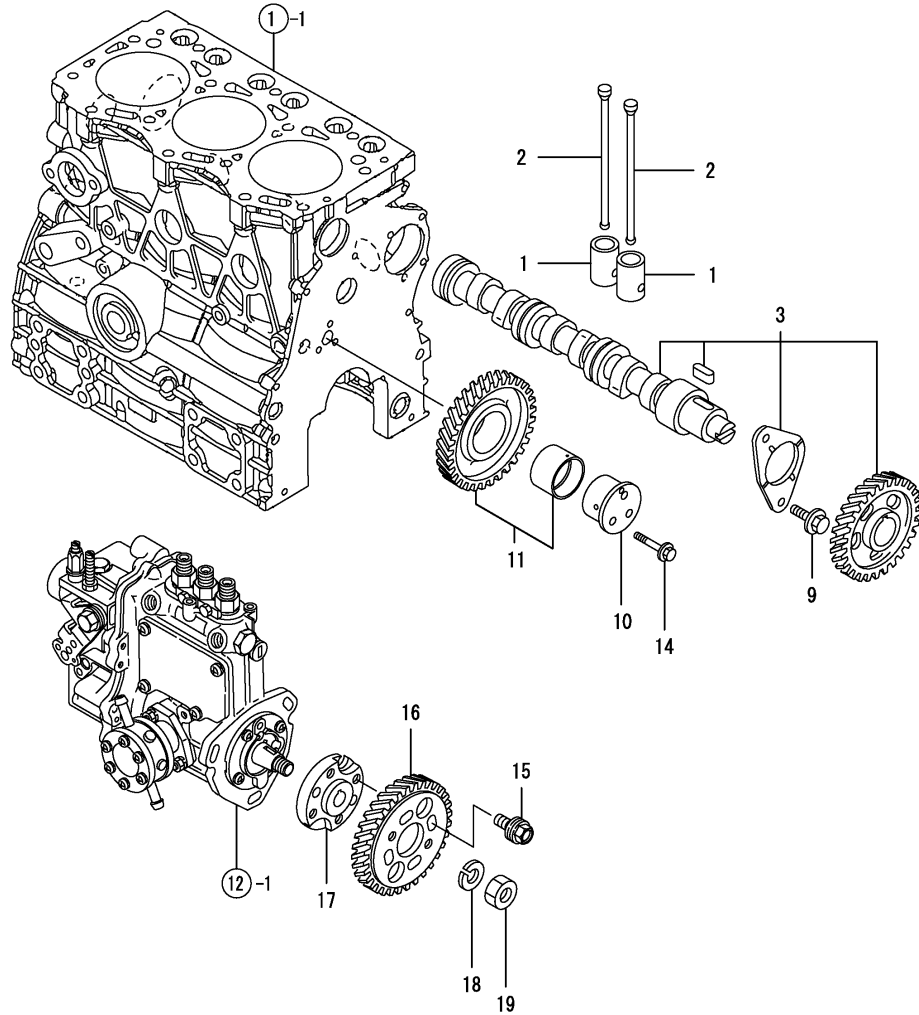
(B)=

(C)=

(D)=

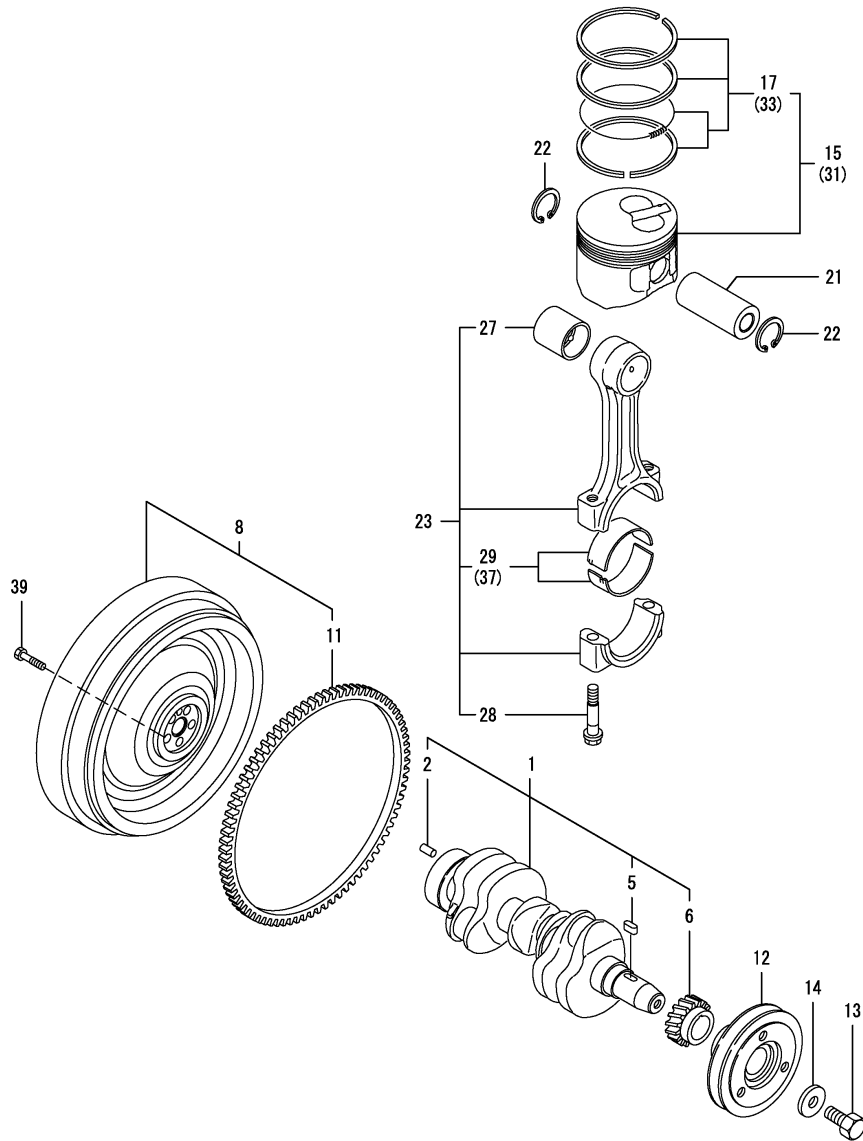
(E)=

(F)=



REF.	LEV.	PARTS NO.	DESCRIPTION	Q'TY						I	R
				(A)	(B)	(C)	(D)	(E)	(F)		
1	1	119620-14200	TAPPET	6							
2	1	119717-14400	ROD, PUSH	6							
3	1	119717-14581	CAMSHFT ASSY	1							
9	1	26106-060122	BOLT M 6X 12 PLATED	2							
10	1	119717-25050	SHAFT, IDLE GEAR	1							
11	1	119717-25101	GEAR ASSY, IDLE	1							
14	1	26106-060352	BOLT M 6X 35 PLATED	3							
15	1	129150-25301	BOLT,FI-P	4							
16	1	119717-25930	GEAR, PUMP	1							
17	1	119717-51150	FLANGE	1							
18	1	22217-120000	SPRING WASHER 12	1							
19	1	26716-120002	NUT 12	1							

Fig.8. CRANKSHAFT & PISTON



(A)=3TNV76-HGEP

(B)=

(C)=

(D)=

(E)=

(F)=

REF.	LEV.	PARTS NO.	DESCRIPTION	Q'TY						I	R	
				(A)	(B)	(C)	(D)	(E)	(F)			
1	1	119717-21700	CRANKSHAFT ASSY	1								
2	2	129100-01580	PARALLEL PIN 8X16	1								
5	2	22512-040120	KEY 4X 12	1								
6	2	119717-21200	GEAR, CRANKSHAFT	1								
8	1	119746-21570	FLYWHEEL ASSY	1								
11	2	119865-21600	GEAR, RING	1								
12	1	119717-21650	V-PULLEY, CRANKSHAFT	1								
13	1	119621-21680	BOLT M12X1.25,FLANGE	1								
14	1	119620-21941	WASHER	1								
15	1	119717-22080	PISTON W/RING	3								
17	2	119717-22500	RING SET	3								
21	1	119717-22300	PIN, PISTON	3								
22	1	22252-000220	CIRCLIP 22	6								
23	1	119717-23000	ROD ASSY, CONNECTING	3								
27	2	119717-23910	BUSH, PISTON PIN	3								2
28	2	119717-23200	BOLT, CONNECTING ROD	6								
29	2	119717-23601	METAL ASSY,CRANK PIN	3								
31	1	119717-22090	PISTON W/RING	3								1
33	2	119717-22550	RING SET, 0.25 OS	3								1
37	1	119717-23611	BEARING,PIN US=0.25	3								3
39	1	121111-21501	BOLT, FLYWHEEL	5								

Remarks

- (1) OVER-SIZE(O.S=0.25)PART.
- (2) REPAIR PART.
- (3) UNDER-SIZE(U.S=0.25)PART.



Fig.9. LUB.OIL SYSTEM

(A)=3TNV76-HGEP

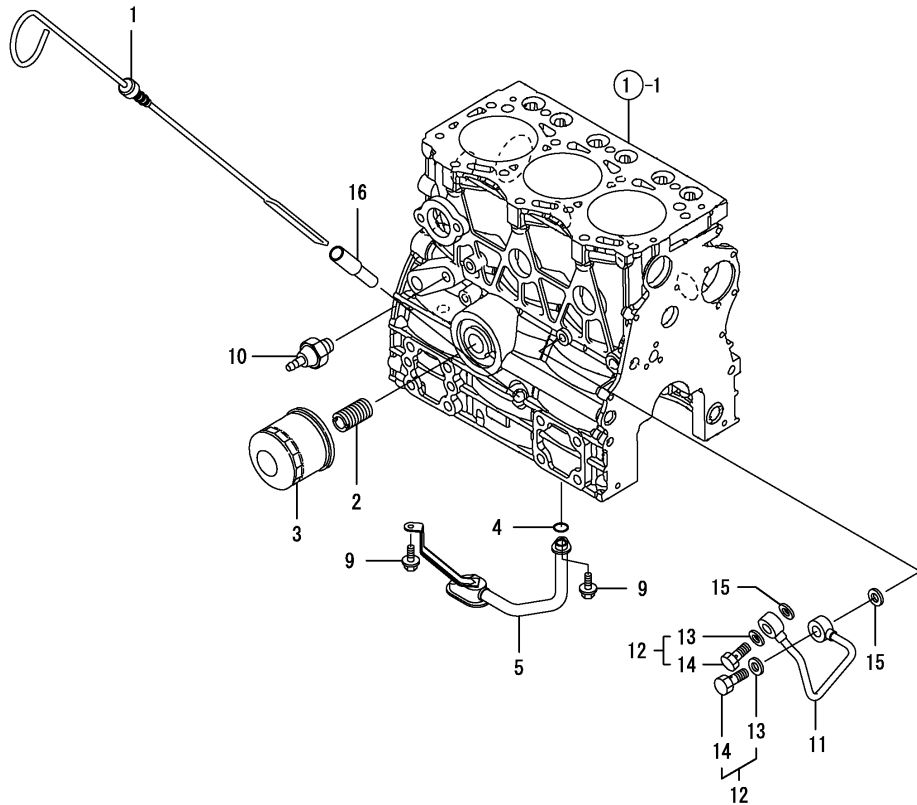
(B)=

(C)=

(D)=

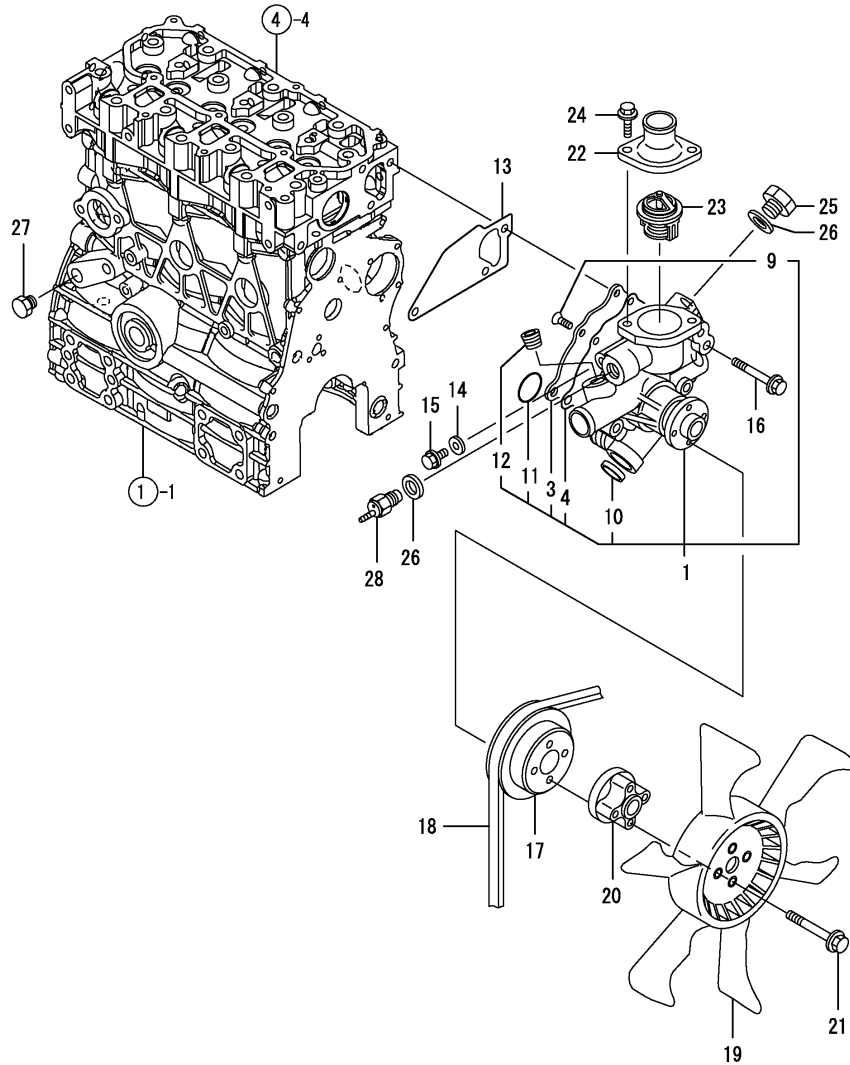
(E)=

(F)=



REF.	LEV.	PARTS NO.	DESCRIPTION	Q'TY						I	R
				(A)	(B)	(C)	(D)	(E)	(F)		
1	1	119746-34801	DIPSTICK	1							
2	1	129100-35140	STUD	1							
3	1	119305-35160	FILTER ASSY, LUB.OIL	1							
4	1	119717-32060	O-RING, P15.0	1							
5	1	119744-35080	PIPE ASSY, LUB,OIL	1							
9	1	26106-060102	BOLT 6X 10 PLATED	2							
10	1	114250-39450	SWITCH,(0.5KG)L.O.	1							
11	1	119717-39210	PIPE ASSY, HYDRAULIC	1							
12	1	129005-59830	BOLT ASSY, JOINT	2							
13	2	22190-080002	SEAL WASHER 8S	2							
14	2	23857-030000	JOINT BOLT 3	2							
15	1	22190-080002	SEAL WASHER 8S	2							
16	1	121520-34810	GUIDE, DIPSTICK	1							

Fig.10. COOLING WATER SYSTEM



(A)=3TNV76-HGEP

(B)=

(C)=

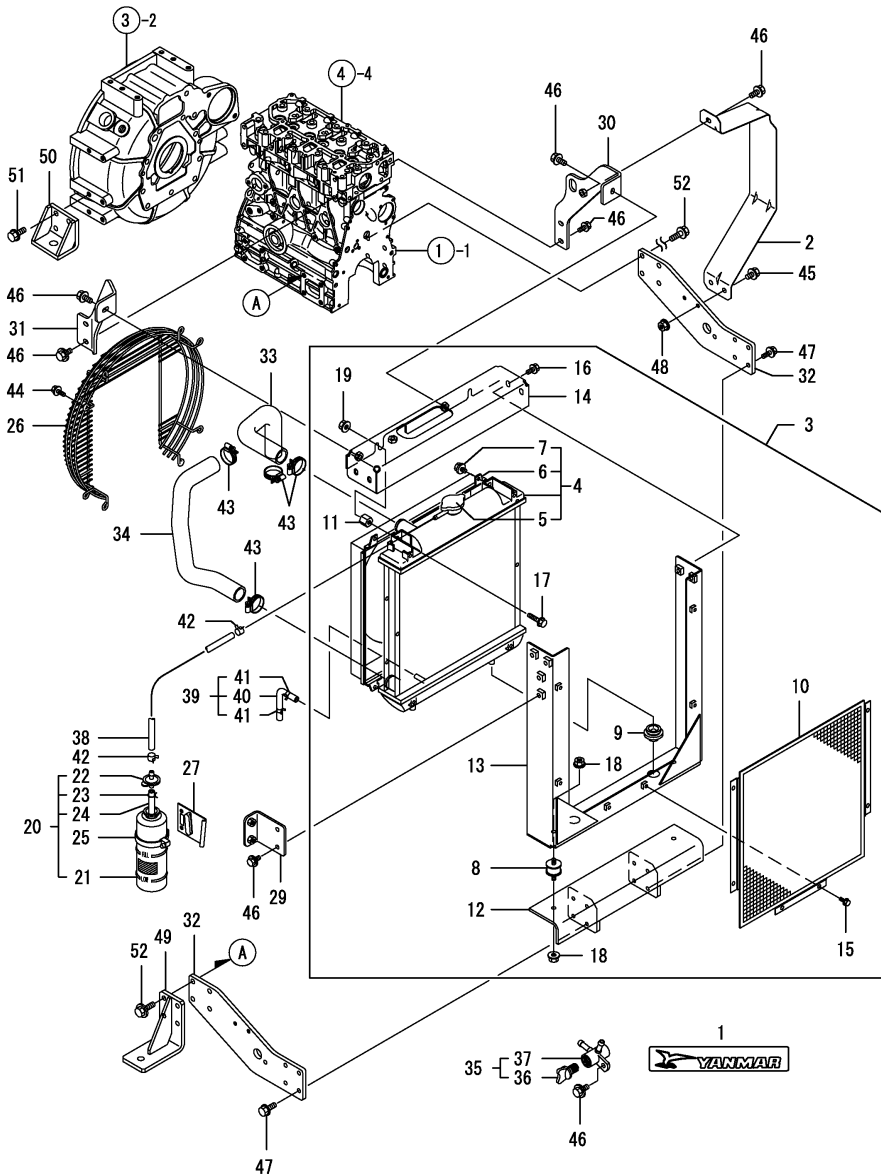
(D)=

(E)=

(F)=

REF.	LEV.	PARTS NO.	DESCRIPTION	Q'TY						I	R
				(A)	(B)	(C)	(D)	(E)	(F)		
1	1	119717-42002	PUMP ASSY, C.W.	1							
3	2	119717-42041	COVER	1							
4	2	119717-42031	GASKET	1							
9	2	26577-060122	SCREW M 6X 12	4							
10	2	27241-250000	PLUG 25	1							
11	2	119717-42320	O-RING	1							
12	2	129916-49740	PLUG, DRAIN R03	1							
13	1	119717-42020	GASKET, WATER PUMP	1							
14	1	23414-080000	GASKET 8, ROUND	1							
15	1	26106-080122	BOLT M 8X 12 PLATED	1							
16	1	26106-080502	BOLT M 8X 50 PLATED	3							
17	1	119717-42350	V-PULLEY, C.W.PUMP	1							
18	1	25132-003600	V-BELT	1							
19	1	171340-44740	FAN, COOLING	1							
20	1	129457-44760	SPACER, FAN	1							
21	1	26106-060452	BOLT M 6X 45 PLATED	4							
22	1	129350-49530	COVER, THERMOSTAT	1							
23	1	119717-49800	THERMOSTAT, 71C	1							
24	1	26106-080202	BOLT M 8X 20 PLATED	2							
25	1	121450-42450	PLUG M16	1							
26	1	124465-44950	GASKET 16	2							
27	1	171056-49120	PLUG, DRAIN	1							
28	1	121250-44901	SWITCH, THERMO(110 C)	1							

Fig.11. RADIATOR



(A)=3TNV76-HGEP

(B)=

(C)=

(D)=

(E)=

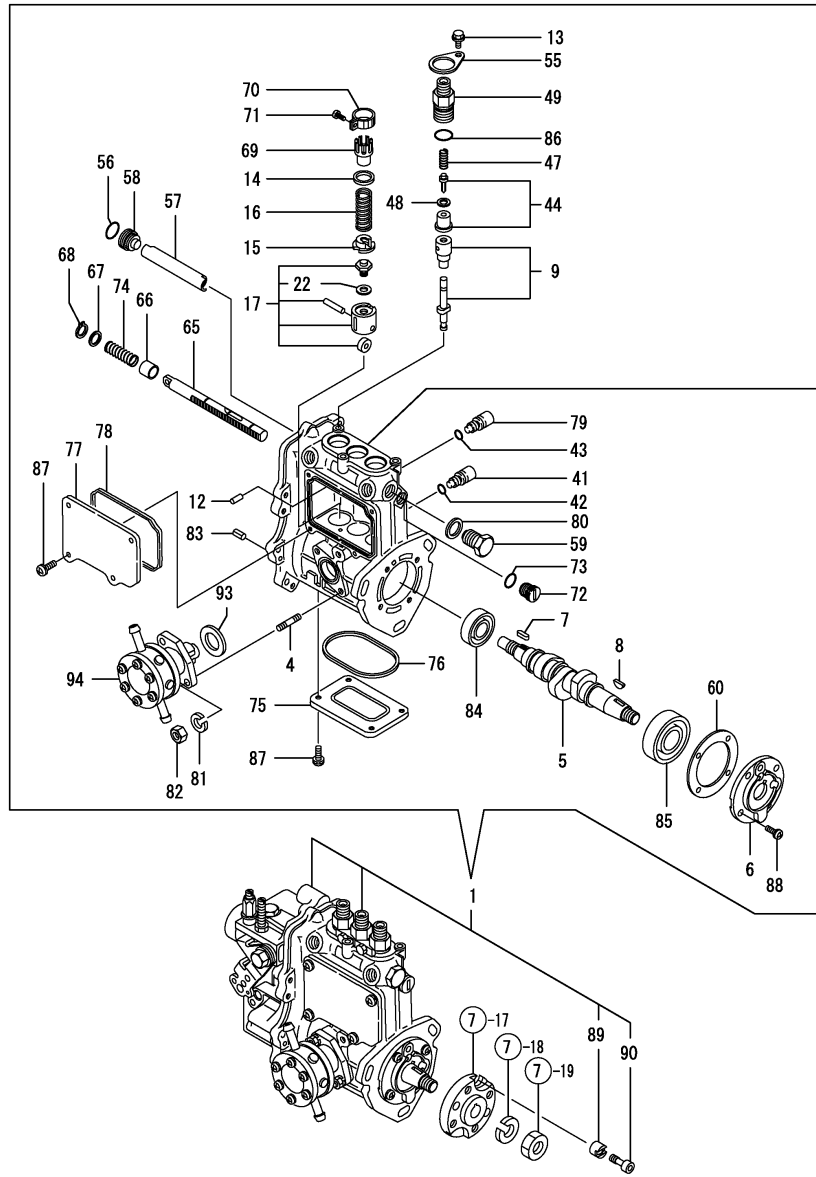
(F)=

REF.	LEV.	PARTS NO.	DESCRIPTION	Q'TY						I	R
				(A)	(B)	(C)	(D)	(E)	(F)		
1	1	129247-07000	LABEL,YANMAR	1							
2	1	119746-42800	COVER,V-BELT	1							
3	1	119746-44510	RADIATOR CMP	1							
4	2	129004-44500	RADIATOR ASSY	1							
5	3	129107-44590	CAP,RADIATOR	1							
6	3	119802-44600	SHROUD	1							
7	3	26014-060122	BOLT M 6X 12	4							
8	2	121400-44640	ABSORBER, SHOCK	2							
9	2	119255-44660	RUBBER	2							
10	2	119746-44800	SCREEN,RADIATOR	1							
11	2	119746-44890	SPACER	2							
12	2	119746-44960	BRACKET,B RADIATOR	1							
13	2	119746-44970	BRACKET,C RADIATOR	1							
14	2	119746-44980	BRACKET,D RADIATOR	1							
15	2	26106-060162	BOLT M 6X 16 PLATED	6							
16	2	26106-080162	BOLT M 8X 16 PLATED	4							
17	2	26106-080354	BOLT, 8 X 35	1							
18	2	26366-080002	NUT M 8	4							
19	2	26366-080002	NUT M 8	2							
20	1	124450-44510	SUB-TANK ASSY	1							
21	2	124450-44520	BODY	1							
22	2	124450-44530	CAP	1							
23	2	124450-44560	CLAMP	1							
24	2	23061-070230	PIPE 7X 230	1							
25	1	124450-44550	CLAMP, SUB-TANK	1							
26	1	119802-44560	FAN GUARD	1							
27	1	121256-44600	BRACKET, SUB-TANK	1							
29	1	129946-44900	BRACKET, SUB TANK	1							
30	1	119746-44910	STAY A, RADIATOR	1							
31	1	119746-44920	STAY B, RADIATOR	1							
32	1	119746-44950	BRACKET,A RADIATOR	2							
33	1	119802-49010	CW-T (A)	1							
34	1	119802-49020	CW-T (B)	1							
35	1	129550-49101	COCK ASSY, 2-WAY	1							
36	2	129150-49081	COCK, DRAIN	1							
37	2	129550-49090	BODY, 2-WAY COCK	1							
38	1	124579-49160	PIPE, WATER DRAIN	1							
39	1	129210-49320	PIPE, DRAIN	1							
40	2	129209-49200	PIPE, DRAIN	1							
41	2	124766-59050	CLAMP 12	2							
42	1	124766-59050	CLAMP 12	2							
43	1	23000-035000	CLAMP 35	4							
44	1	26106-060162	BOLT M 6X 16 PLATED	8							
45	1	26106-080122	BOLT M 8X 12 PLATED	2							
46	1	26106-080162	BOLT M 8X 16 PLATED	10							
47	1	26106-080202	BOLT M 8X 20 PLATED	8							
48	1	26366-080002	NUT M 8	2							
49	1	119746-08100	ENGINE FOOTA	2							
50	1	119888-08110	BRACKET (B), ENGINE	2							
51	1	26106-100202	BOLT M10X 20 PLATED	8							
52	1	26106-100302	BOLT M10X 30 PLATED	8							

N:Old ↔ New, Q:Old ↔ New, R:Old ↔ New, S:Old ↔ New, W:Add, Z:Discontinued, F:Set Change, K:Q'ty Change  
 (C)Copy Rights YANMAR CO.,LTD and YANMAR AGRICULTURAL EQUIPMENT CO.,LTD.

Remarks  
 \* THIS FIGURE(RADIATOR ASSY) IS  
 OPTIONAL PART.

Fig.12. FUEL INJECTION PUMP



Remarks  
 (1) GOVERNOR ASSY(FIG.13) IS INCORPORATED IN THIS FOP.CMP (REF.NO.1).

(A)=3TNV76-HGEP

(B)=

(C)=

(D)=

(E)=

(F)=

REF.	LEV.	PARTS NO.	DESCRIPTION	Q'TY						I	R
				(A)	(B)	(C)	(D)	(E)	(F)		
1	1	719746-51360	FIE ASSY(3TNV76-XJLT	1							1
4	2	129155-51020	STUD, FEED PUMP	2							
5	2	119717-51030	CAMSHAFT	1							
6	2	119717-51060	SUPPORT, BEARING	1							
7	2	119717-51070	PARALLEL PIN	1							
8	2	122710-51090	KEY	1							
9	2	119717-51100	PLUNGER ASSY	3							
12	2	129155-51140	PIN, BARREL LOCKING	3							
13	2	26106-050102	BOLT M 5X 10 PLATED	3							
14	2	158600-51170	SEAT SPRING	3							
15	2	119717-51570	RECEIVER,SPRING	3							
16	2	119717-51190	SPRING, PLUNGER	3							
17	2	119717-51200	TAPPET ASSY	3							
22	3	129155-51600	SHIM PACK	1							
41	2	158600-51270	STOPPER	3							
42	2	129155-51280	O-RING S6	3							
43	2	129155-51280	O-RING S6	1							
44	2	119717-51300	VALVE ASSY, DELIVERY	3							
47	2	119717-51330	SPRING, DELIVERY	3							
48	2	124550-51350	GASKET, DELIVERY	3							
49	2	158600-51442	VALVE ASSY, DELIVERY	3							
55	2	118400-51370	LOCKING	3							
56	2	119717-51420	O-RING	1							
57	2	129155-51400	DEFLECTOR	1							
58	2	158600-51410	PLUG	1							
59	2	158600-51420	PLUG	1							
60	2	129155-51450	SHIM SET, ADJUSTING	1							
65	2	119717-51500	RACK, CONTROL	1							
66	2	129155-51521	BUSH, RACK	1							
67	2	129155-51530	SPACER, AUX. SPRING	1							
68	2	129155-51540	CIRCLIP	1							
69	2	129155-51550	PINION, CONTROL	3							
70	2	129100-51560	PINION	3							
71	2	129100-51570	SCREW	3							
72	2	158600-51570	PLUG	1							
73	2	129155-51580	O-RING	1							
74	2	129155-51591	SPRING, RACK	1							
75	2	129155-51701	COVER	1							
76	2	119717-51711	PACKING	1							
77	2	119717-51750	COVER, BODY SIDE	1							
78	2	119717-51761	GASKET	1							
79	2	158600-51790	GUIDE, RACK	1							
80	2	22190-160002	SEAL WASHER 16S	1							
81	2	22217-060000	SPRING WASHER 6	2							
82	2	26716-060002	NUT 6	2							
83	2	22351-050010	SPRING PIN 5X10	2							
84	2	24101-060034	BALL BEARING	1							
85	2	24101-063034	BALL BEARING	1							
86	2	24316-000150	O-RING 4D P15	3							
87	2	26022-050122	SCREW M 5X 12	8							
88	2	26022-060162	SCREW M 6X 16	4							

N:Old ↔ New, Q:Old ↔ New, R:Old ↔ New, S:Old ↔ New, W:Add, Z:Discontinued, F:Set Change, K:Q'ty Change

++ CONTINUE ++

(C)Copy Rights YANMAR CO.,LTD and YANMAR AGRICULTURAL EQUIPMENT CO.,LTD.

Fig.12. FUEL INJECTION PUMP

(A)=3TNV76-HGEP

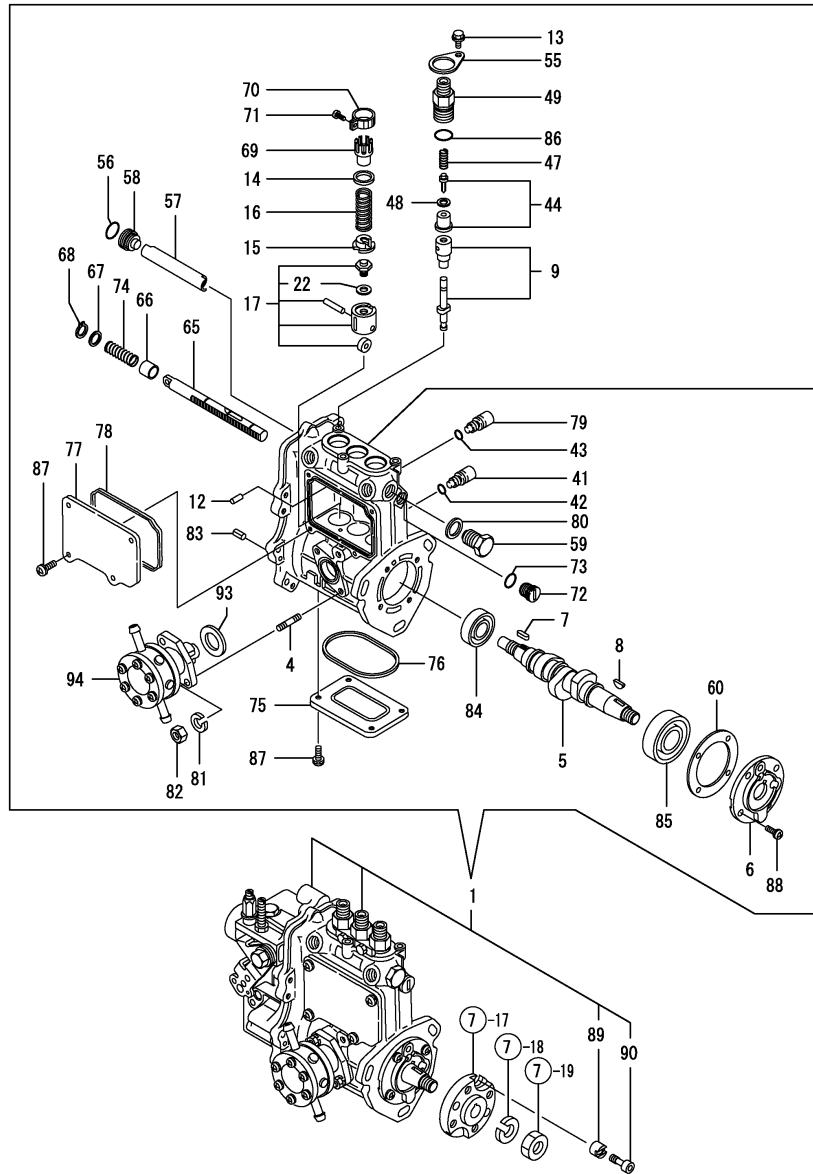
(B)=

(C)=

(D)=

(E)=

(F)=

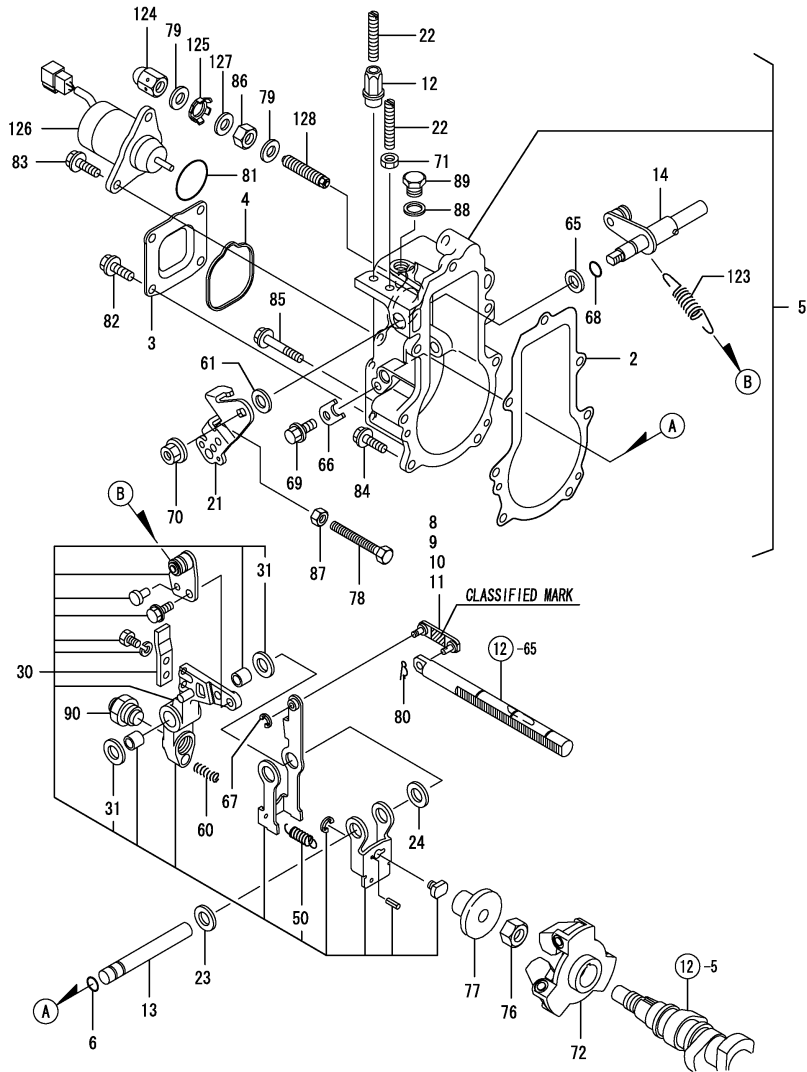


REF.	LEV.	PARTS NO.	DESCRIPTION	Q'TY						I	R
				(A)	(B)	(C)	(D)	(E)	(F)		
89	2	119717-51480	COLLAR, FIC FIX	1							
90	2	119717-51490	BOLT, FIXATION	1							
93	2	129155-52051	GASKET	1							
94	2	129100-52101	PUMP ASSY, FUEL FEED	1							

Remarks

(1) GOVERNOR ASSY(FIG.13) IS INCORPORATED IN THIS FOP.CMP (REF.NO.1).

Fig.13. GOVERNOR



Remarks  
 (1) SELECTIVE PARTS: CERTAIN THE CLASSIFICATION MARK, THEN PLACE YOUR ORDER.(REF. TO ILLUSTRATION)  
 \* THIS FIGURE(GOVERNOR ASSY)IS INCORPORATED IN THE FUEL INJECTION PUMP ASSY(FIG.12).

(A)=3TNV76-HGEP

(B)=

(C)=

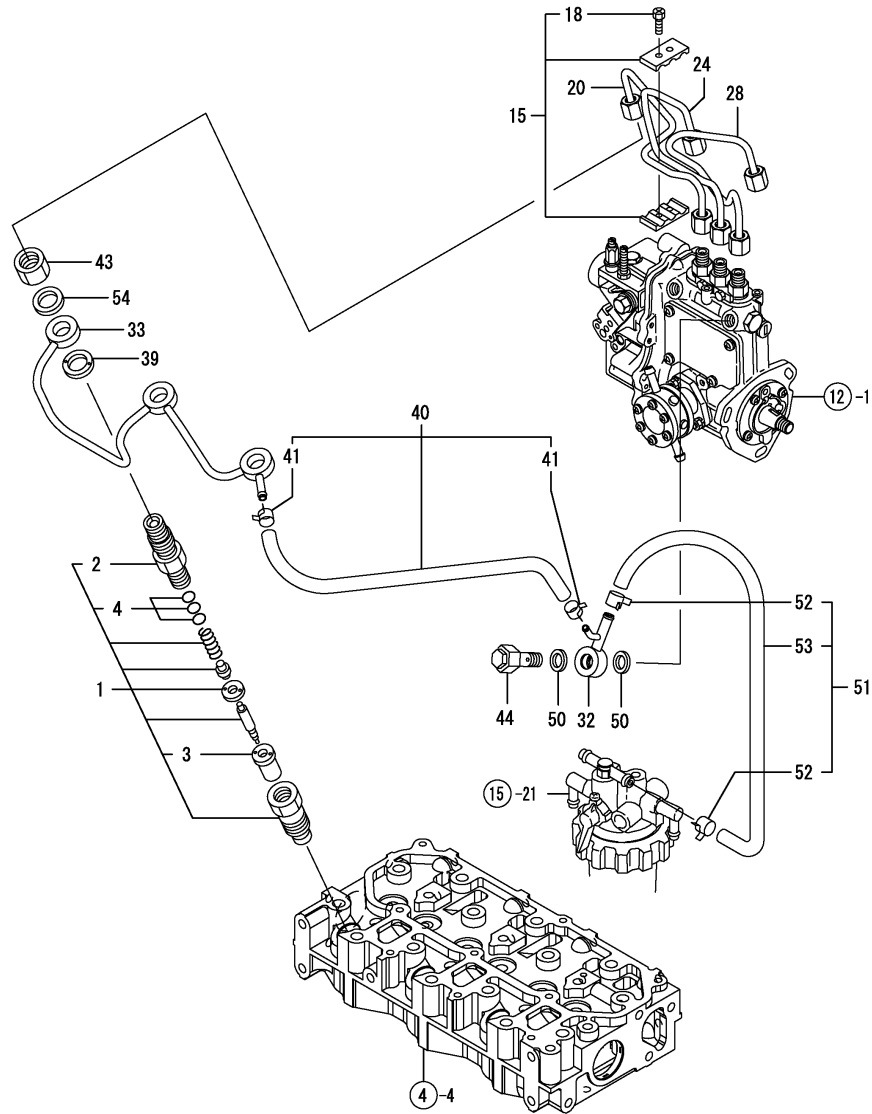
(D)=

(E)=

(F)=

REF.	LEV.	PARTS NO.	DESCRIPTION	Q'TY						I	R
				(A)	(B)	(C)	(D)	(E)	(F)		
2	2	119717-61050	GASKET, CASE	1							
3	2	119717-61060	CASE, GOVERNOR	1							
4	2	119717-61070	GASKET, COVER	1							
5	2	119742-61100	CASE ASSY, GOVERNOR	1							
6	3	129155-51280	O-RING S6	1							
8	3	119717-61120	LINK, L=29.3	1							1
9	3	119717-61130	LINK, L=29.8	1							1
10	3	119717-61140	LINK, L=28.8	1							1
11	3	119717-61150	LINK, L=303	1							1
12	3	129209-61370	NUT M6	1							
13	3	129052-61390	SHAFT, GOV. LEVER	1							
14	3	119717-61400	SHAFT ASSY, CONTROL	1							
21	3	119515-61440	LEVER, CONTROL	1							
22	3	129155-61450	BOLT, REVOL. LIMIT	2							
23	3	129156-61460	SHIM T=0.6	1							
24	3	129155-61480	SPACER ASSY	1							
30	3	119717-61500	LEVER ASSY, GOVERNOR	1							
31	4	174307-51700	SHIM SET	2							
50	4	129486-61540	SPRING, SET	1							
60	3	129100-61650	SPRING, FUEL CONTROL	1							
61	3	158552-61700	SHIM ASSY	1							
65	3	158552-61710	SHIM T=1.0	1							
66	3	119660-61901	RETAINER, SHAFT	1							
67	3	22272-000030	CIRCLIP E- 3	1							
68	3	24341-000070	O-RING 1A S-7.0	1							
69	3	26106-060102	BOLT 6X 10 PLATED	1							
70	3	26366-080002	NUT M 8	1							
71	3	26756-060002	LOCK NUT 6	1							
72	2	119717-61200	WEIGHT ASSY	1							
76	2	119660-61300	NUT, GOVERNOR WEIGHT	1							
77	2	129155-61341	SLEEVE(L=25.5)	1							
78	2	129155-61460	BOLT, IDLE LIMIT	1							
79	2	22190-120002	SEAL WASHER 12	1							
80	2	22372-040000	SNAP PIN 4	1							
81	2	158552-61900	O-RING	1							
82	2	26106-060102	BOLT 6X 10 PLATED	4							
83	2	26106-060142	BOLT M 6X 14 PLATED	2							
84	2	26106-060202	BOLT M 6X 20 PLATED	4							
85	2	26106-060452	BOLT M 6X 45 PLATED	3							
86	2	26736-120002	NUT M12	1							
87	2	26756-060002	LOCK NUT 6	1							
88	2	22190-100002	SEAL WASHER 10S	1							
89	2	23887-100002	PLUG 10	1							
90	2	119761-61560	ANGLEICH ASSY	1							
123	2	129573-61700	SPRING, GOVERNOR	1							
124	2	129209-61930	CAP NUT	1							
125	2	129209-61970	PLATE	1							
126	2	119653-77950	SOLENOID, STOP	1							
127	2	23414-120016	GASKET 12	1							
128	2	158601-61700	LIMITER ASSY, FUEL	1							

Fig.14. FUEL INJECTION VALVE



(A)=3TNV76-HGEP

(B)=

(C)=

(D)=

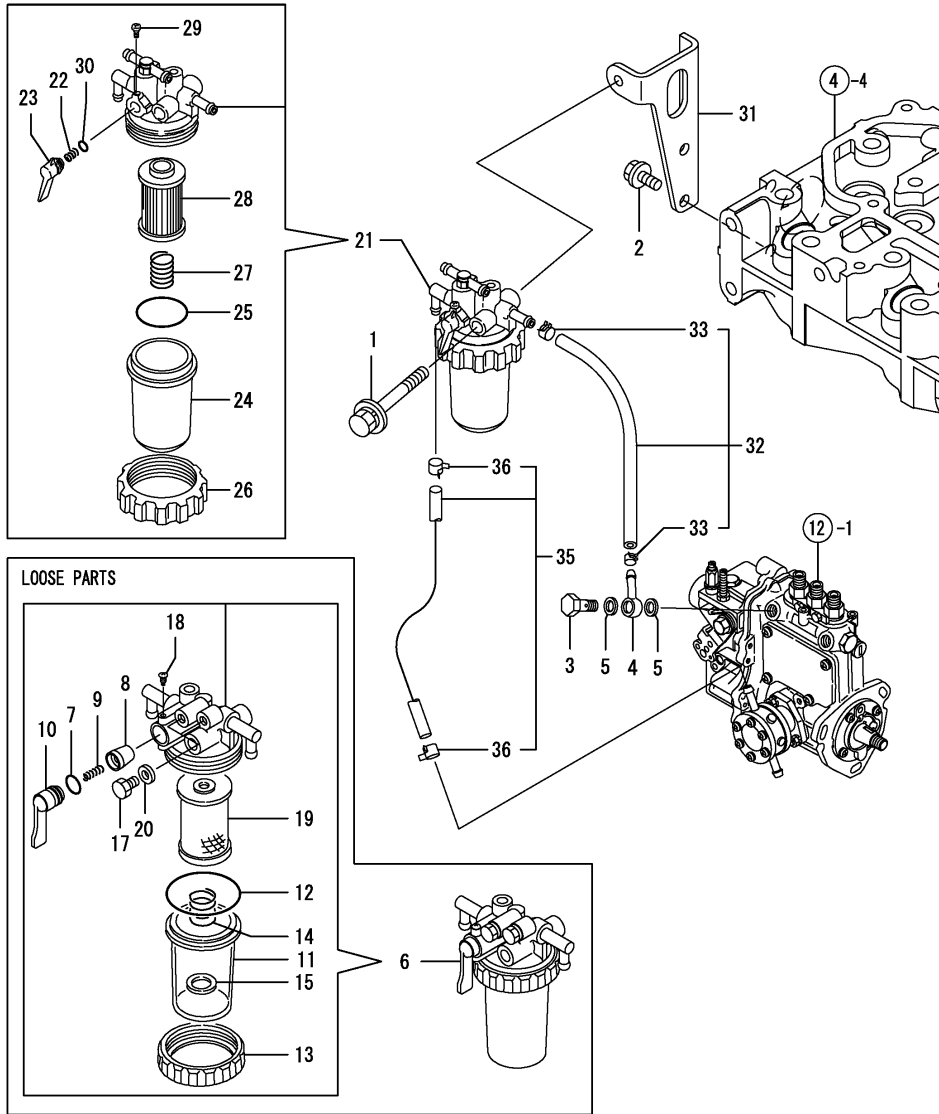
(E)=

(F)=

REF.	LEV.	PARTS NO.	DESCRIPTION	Q'TY						I	R
				(A)	(B)	(C)	(D)	(E)	(F)		
1	1	119515-53001	VALVE ASSY,INJECTION	3							
2	2	118200-53010	HOLDER, NOZZLE	3							
3	2	119515-53010	NOZZLE ASSY	3							
4	2	129901-53800	SHIM SET	3							1
15	1	129150-59120	RETAINER, INJ. PIPE	1							
18	2	129150-59131	BOLT M4X14,HEX.SCKT.	2							
20	1	119746-59810	PIPE, FUEL INJECTION	1							
24	1	119746-59820	PIPE, FUEL INJECTION	1							
28	1	119746-59830	PIPE, FUEL INJECTION	1							
32	1	119840-59570	JOINT	1							
33	1	119717-59510	PIPE ASSY, RETURN	1							
39	1	129901-59560	GASKET, RETURN	3							
40	1	119540-59570	PIPE, FUEL RETURN	1							
41	2	124066-59100	CLAMP 8	2							
43	1	119620-59700	NUT	3							
44	1	119813-59950	VALVE ASSY, CHECK	1							
50	1	22190-120002	SEAL WASHER 12	2							
51	1	129210-59170	PIPE ASSY, FUEL OIL	1							
52	2	124766-59050	CLAMP 12	2							
53	2	105225-59511	PIPE, FUEL OIL	1							
54	1	22190-120002	SEAL WASHER 12	3							

Remarks  
(1) REPAIR PART.

Fig.15. FUEL LINE



(A)=3TNV76-HGEP

(B)=

(C)=

(D)=

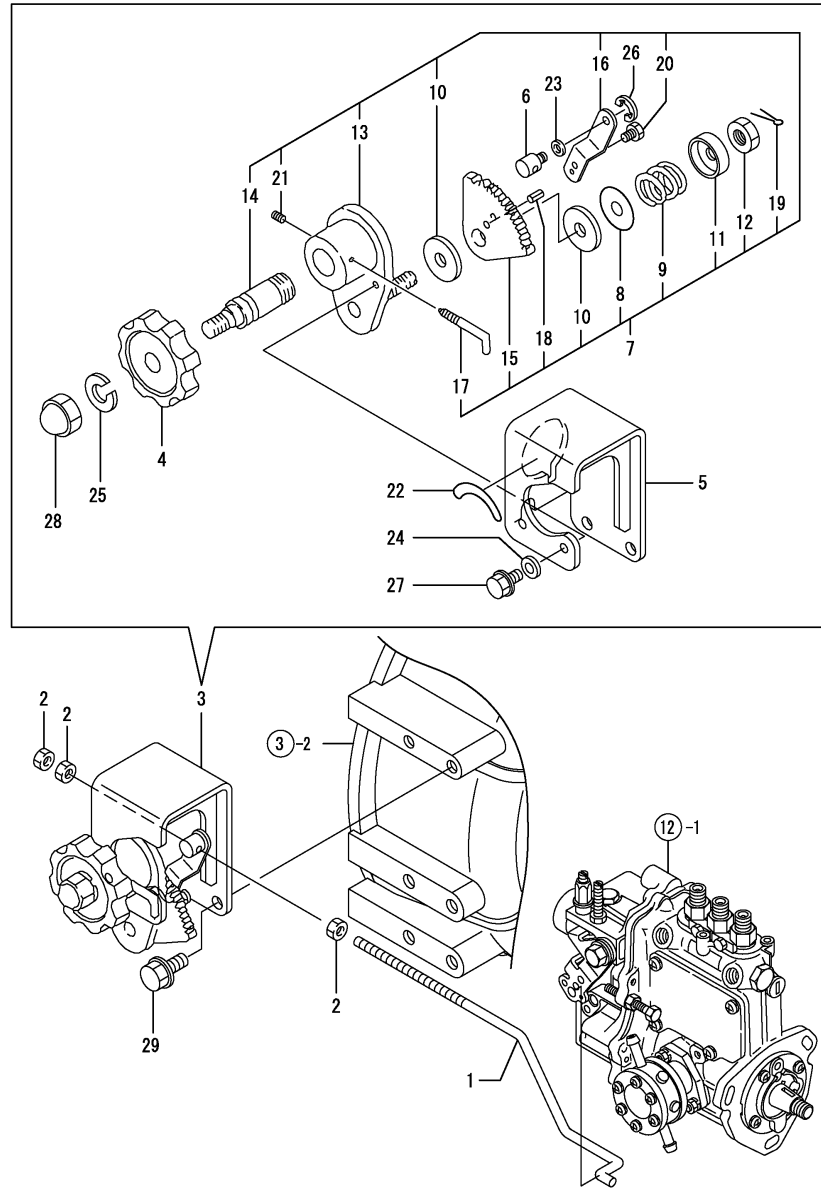
(E)=

(F)=

REF.	LEV.	PARTS NO.	DESCRIPTION	Q'TY						I	R
				(A)	(B)	(C)	(D)	(E)	(F)		
1	1	26014-080702	BOLT W/WASHER M8X 70	1							
2	1	26106-080162	BOLT M 8X 16 PLATED	2							
3	1	103854-39140	BOLT, PIPE JOINT	1							
4	1	101304-59020	JOINT 12, PIPE	1							
5	1	22190-120002	SEAL WASHER 12	2							
6	1	129335-55700	SEPARATOR, WATER	1							
7	2	24311-240100	O-RING 1A P-10A	1							
8	2	104200-55321	VALVE, TAPER	1							
9	2	104200-55330	SPRING, TAPER VALVE	1							
10	2	104200-55341	HANDLE, COCK	1							
11	2	124064-55510	BOWL, FUEL STRAINER	1							
12	2	102103-55520	O-RING	1							
13	2	110250-55610	RING, RETAINING	1							
14	2	121257-55720	SPRING, SCREEN	1							
15	2	121257-55731	FLOAT	1							
17	2	101720-55750	PLUG 6	2							
18	2	104200-55750	SCREW M 4	1							
19	2	171081-55910	SCREEN	1							
20	2	23418-060000	GASKET 6, NYLON	2							
21	1	119833-55620	STRAINER ASSY, FUEL	1							
22	2	104200-55330	SPRING, TAPER VALVE	1							
23	2	119810-55340	LEVER	1							
24	2	121254-55510	CUP, STRAINER	1							
25	2	102103-55520	O-RING	1							
26	2	110250-55610	RING, RETAINING	1							
27	2	121250-55620	SPRING	1							
28	2	119810-55650	ELEMENT	1							
29	2	104200-55750	SCREW M 4	1							
30	2	24311-240100	O-RING 1A P-10A	1							
31	1	119717-55650	BRACKET, FO FILTER	1							
32	1	129210-59080	PIPE ASSY, FUEL OIL	1							
33	2	124766-59050	CLAMP 12	2							
35	1	129210-59170	PIPE ASSY, FUEL OIL	1							
36	2	124766-59050	CLAMP 12	2							



Fig.16. ENGINE CONTROL DEVICE



(A)=3TNV76-HGEP

(B)=

(C)=

(D)=

(E)=

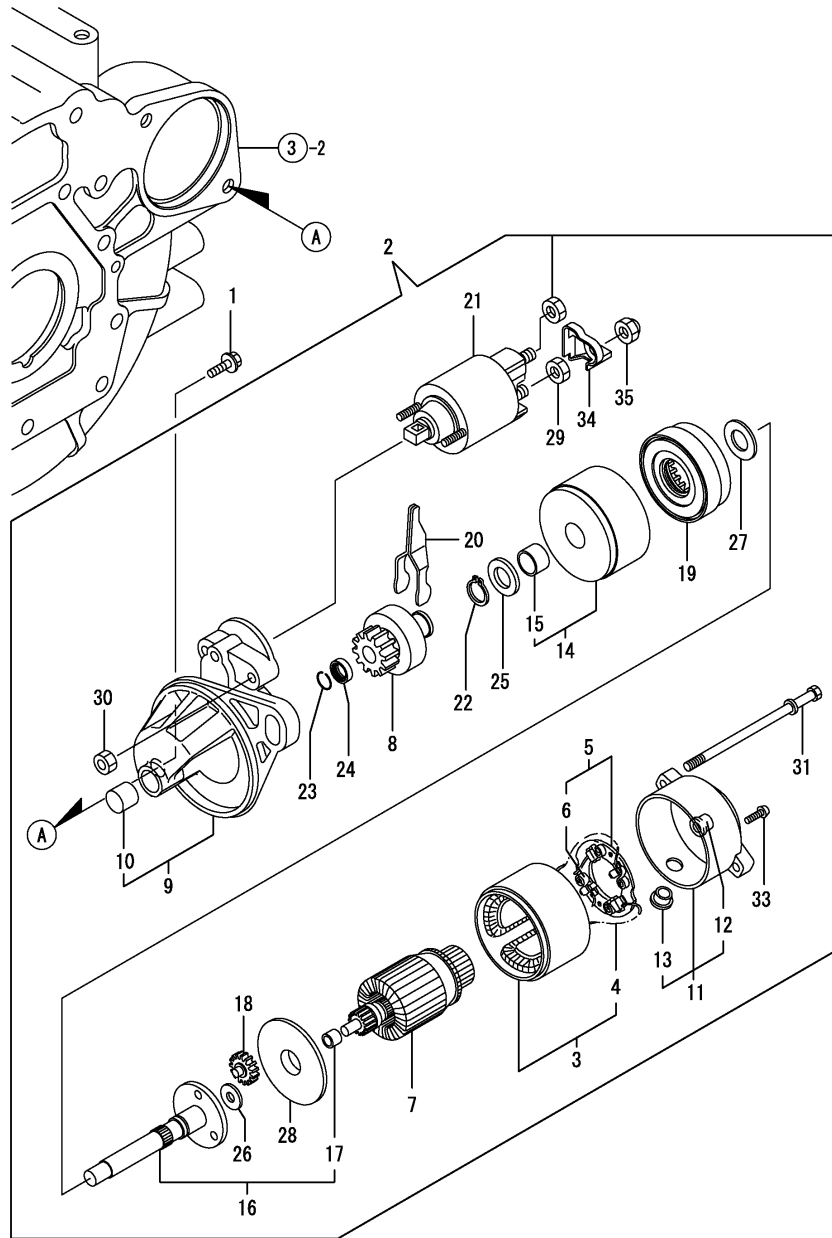
(F)=

REF.	LEV.	PARTS NO.	DESCRIPTION	Q'TY						I	R
				(A)	(B)	(C)	(D)	(E)	(F)		
1	1	119746-66120	LINK,SPEED CONTROL	1							
2	1	26756-050002	LOCK NUT M 5 PLATED	3							
3	1	119888-66161	CONTROL DEVICE	1							
4	2	126650-66020	HANDLE, REGULATOR	1							
5	2	119888-66111	BRACKET	1							
6	2	119888-66130	PIVOT	1							
7	2	171048-67010	REGULATOR ASSY	1							
8	3	171102-66080	SPACER	1							
9	3	104200-66820	SPRING	1							
10	3	104200-66831	PLATE, FRICTION	2							
11	3	104200-66850	WASHER (B)	1							
12	3	104200-66860	NUT	1							
13	3	171085-67100	BRACKET, GEAR	1							
14	3	171085-67110	SHAFT, DRIVING	1							
15	3	171085-67120	GEAR	1							
16	3	171048-67130	LEVER	1							
17	3	171048-67140	STOPPER	1							
18	3	22351-020006	SPRING PIN 2X 6	1							
19	3	22411-200150	COTTER PIN	1							
20	3	26116-060082	BOLT 6X8	1							
21	3	26921-050122	SCREW M 5X 12	1							
22	2	170064-67210	LABEL, HANDLE	1							
23	2	22117-060000	WASHER 6	1							
24	2	22137-100000	WASHER 10,POLISHED	1							
25	2	22217-100000	SPRING WASHER 10	1							
26	2	22272-000050	CIRCLIP E- 5	1							
27	2	26106-060102	BOLT 6X 10 PLATED	2							
28	2	26657-100002	CAP NUT M10	1							
29	1	26106-080162	BOLT M 8X 16 PLATED	2							

Remarks

\* THIS FIGURE(ENGINE CONTROL DEVICE) ASSY)IS OPTIONAL PART.

Fig.17. STARTING MOTOR



(A)=3TNV76-HGEP

(B)=

(C)=

(D)=

(E)=

(F)=

REF.	LEV.	PARTS NO.	DESCRIPTION	Q'TY						I	R
				(A)	(B)	(C)	(D)	(E)	(F)		
1	1	26106-100252	BOLT M10X 25 PLATED	2							
2	1	119717-77010	STARTER, P1.1	1							
3	2	X0281007750	COIL ASSY, FIELD	1							
4	3	X0280996180	STARTER KIT	2							
5	2	X0285105190	HOLDER ASSY.	1							
6	3	X0285205030	SPRING	4							
7	2	X0282005991	ARMATURE ASSY	1							
8	2	X0283006960	CLUTCH SUB-ASSY.	1							
9	2	X4284001590	HOUSING ASSY,STARTER	1							
10	3	X9491050100	NEEDLE BEARING	1							
11	2	X0285007030	FRAME ASSY.	1							
12	3	X9491040990	BEARING	1							
13	3	X0280626010	COVER	1							
14	2	X0284105040	BEARING SUB-ASSY.	1							
15	3	X9491034330	BEARING	1							
16	2	X0286105010	SHAFT SUB-ASSY.	1							
17	3	X9491034320	BEARING	1							
18	2	X0286305010	GEAR	3							
19	2	X0286355010	GEAR	1							
20	2	X0287405140	LEVER	1							
21	2	X0534007800	SWITCH,EMERGENCY	1							
22	2	X9055715000	RING	1							
23	2	X9490721360	RING	1							
24	2	X0280210331	NUT	1							
25	2	X9490138110	WASHER	1							
26	2	X9490138090	WASHER	1							
27	2	X9490138100	WASHER	1							
28	2	X0284525010	PLATE	1							
29	2	X9490562360	NUT	1							
30	2	X9490560750	NUT	2							
31	2	X9490423420	BOLT, THROUGH	2							
33	2	X9490065670	SCREW M 4X 6 (BS)	2							
34	2	X0280335350	COVER SET, TERMINAL	1							
35	2	X1289510130	NUT	1							

Fig.18. GENERATOR

(A)=3TNV76-HGEP

(B)=

(C)=

(D)=

(E)=

(F)=

REF.	LEV.	PARTS NO.	DESCRIPTION	Q'TY						I	R
				(A)	(B)	(C)	(D)	(E)	(F)		

1	1	119734-77310	ADJUSTER, BELT	1							
2	1	129423-77200	GENERATOR	1							
3	2	X9490561001	NUT	1							
4	2	119620-77380	ROTOR ASSY	1							
5	3	119620-79240	BALL BEARING	1							
6	3	119620-79250	COVER, BEARING	1							
7	2	119620-79360	THRUST WASHER	1							
8	2	119620-77421	FLAME ASSY, DRIVE	1							
9	3	119620-79200	BALL BEARING	1							
10	3	119620-79210	PLATE	1							
11	3	119620-79220	SCREW	4							
12	3	119620-79230	BOLT, STUD	2							
13	2	119620-77440	FLAME ASSY, REAR	1							
14	2	129423-77450	COVER	1							
15	2	119620-77461	PULLEY	1							
16	2	119620-77471	NUT	1							
17	2	129423-77710	REGULATOR ASSY	1							
18	2	119620-79260	HOLDER	1							
19	2	119620-79270	HOLDER, BRUSH	1							
20	3	119620-77480	BRUSH ASSY	2							
21	3	119620-79280	SPRING	2							
22	2	119620-79290	SCREW	6							
23	2	119620-79300	SCREW	1							
24	2	119620-79310	BOLT	3							
25	2	119620-79320	SCREW W/WASHER	2							
26	2	119620-79330	BOLT	2							
27	2	119620-79340	INSULATION BUSH	1							
28	2	119620-79350	NUT	2							
29	2	119620-77490	COLLAR	1							
30	1	26106-080202	BOLT M 8X 20 PLATED	1							
31	1	119940-77270	ADJUSTER, BELT	1							
32	1	129972-77341	BOLT, ADJUSTING	1							
33	1	26106-100452	BOLT M10X 45 PLATED	1							

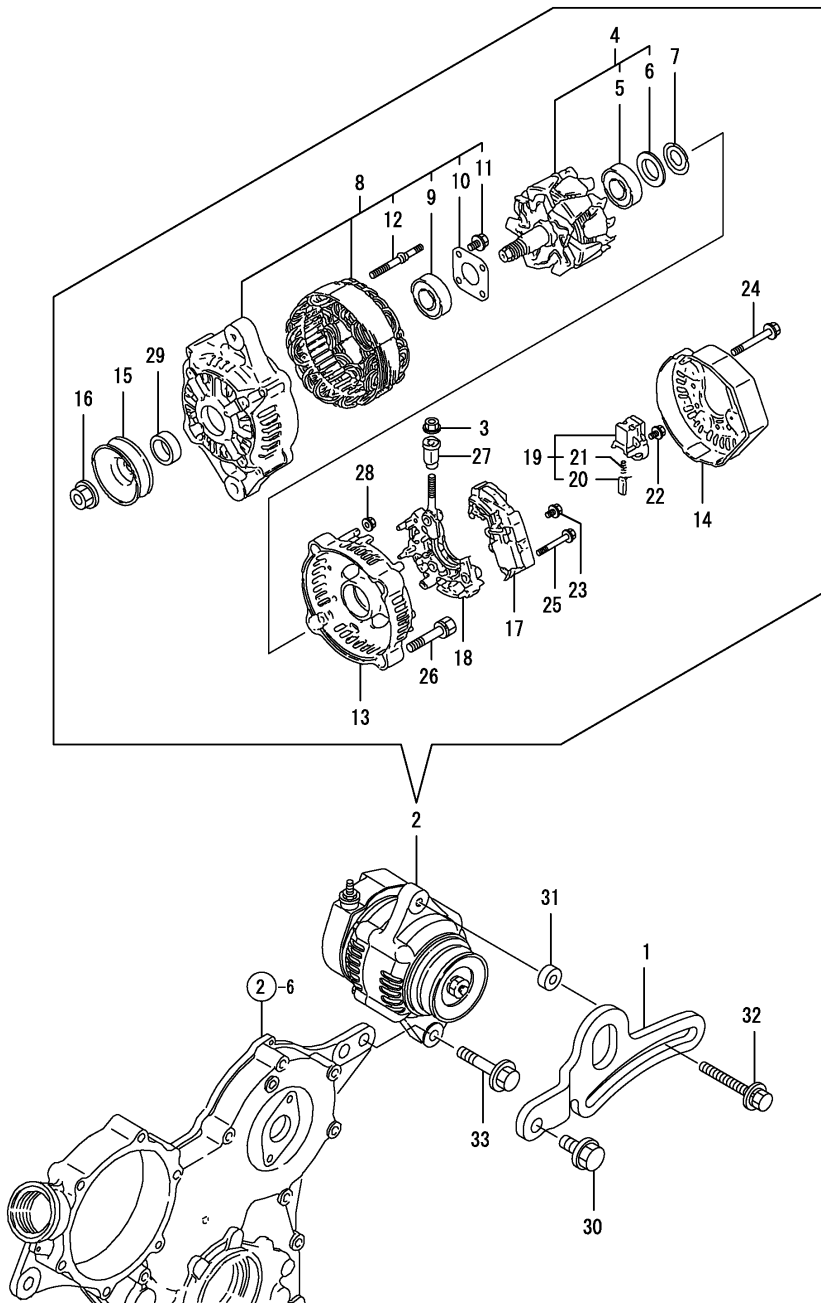
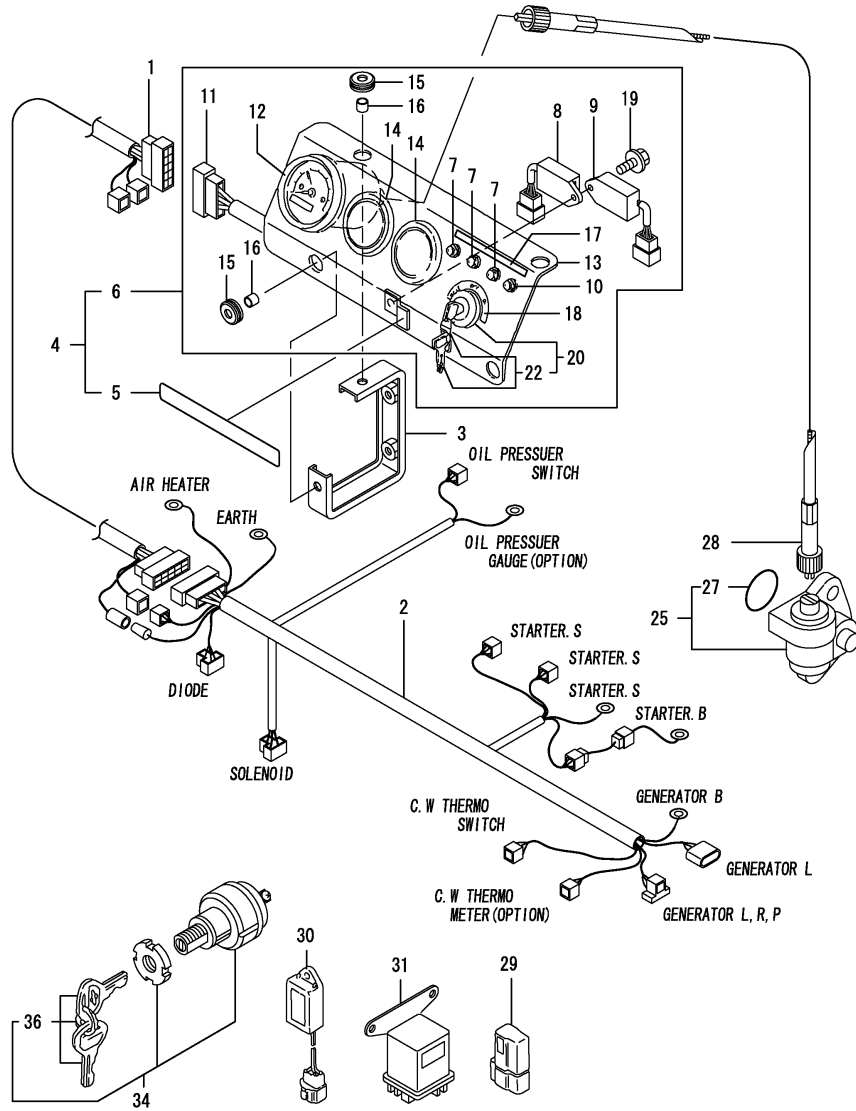


Fig.19. ELECTRIC PARTS



Remarks  
 \* THIS FIGURE(ELECTRIC PARTS ASSY)IS  
 OPTIONAL PART.

(A)=3TNV76-HGEP

(B)=

(C)=

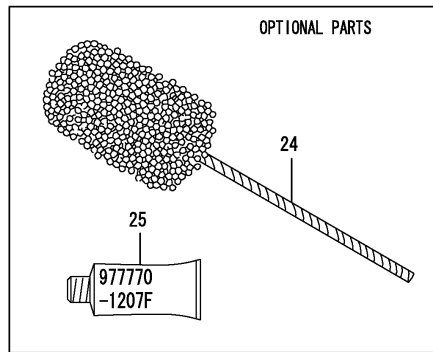
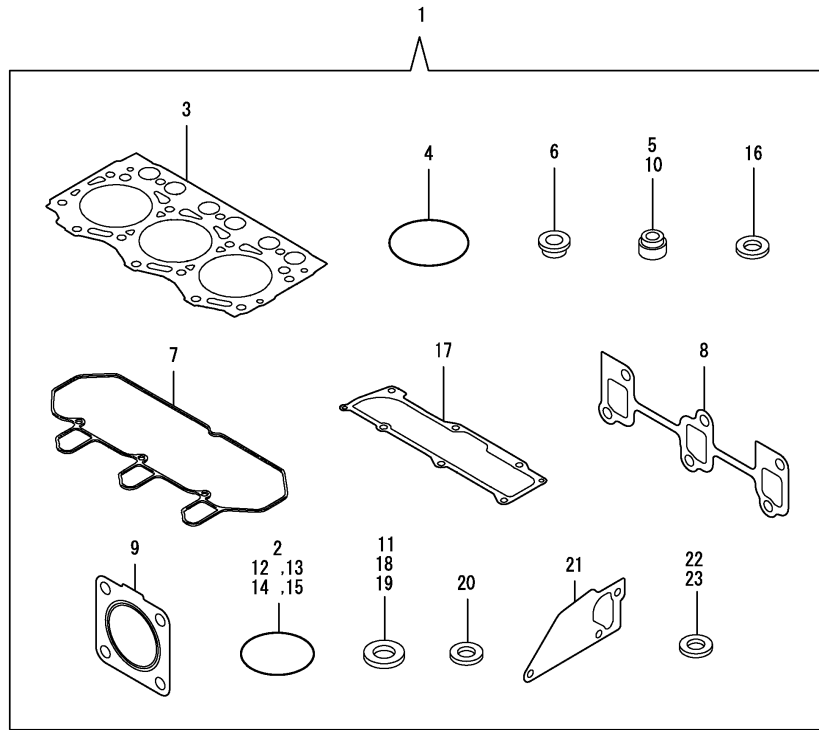
(D)=

(E)=

(F)=

REF.	LEV.	PARTS NO.	DESCRIPTION	Q'TY						I	R
				(A)	(B)	(C)	(D)	(E)	(F)		
1	1	119946-91010	CORD,EXTENSION 2M	1							
2	1	119888-91026	HARNESS, WIRE	1							
3	1	119888-91120	SUPPORT, PANEL	2							
4	1	119888-91102	PANELBOARD ASSY	1							
5	2	104507-07190	LABEL, YANMAR	1							
6	2	170121-91101	PANEL ASSY, INSTRUM.	1							
7	3	124732-77720	LAMP, CHARGING	3							
8	3	128300-77920	TIMER	1							
9	3	129211-77920	TIMER	1							
10	3	124559-77971	LAMP, PILOT	1							
11	3	119888-91032	HARNESS B, WIRE	1							
12	3	171080-91101	TACHOMETR	1							
13	3	119888-91110	BODY	1							
14	3	124770-91220	COVER 52	2							
15	3	121400-91520	ABSORBER	4							
16	3	121400-91530	SPACER	4							
17	3	119888-91610	LABEL, CW & OIL LAMP	1							
18	3	119888-91620	LABEL, KEY SWITCH	1							
19	3	26106-060102	BOLT 6X 10 PLATED	1							
20	3	933110-00100	SWITCH ASSY, STARTER	1							
22	4	933110-00301	KEY ASSY	2							
25	1	129150-91400	GEAR UNIT,TACHOMETER	1							
27	2	24341-000240	O-RING 1A S-24.0	1							
28	1	124737-91420	CABLE, TACHOMETER	1							
29	1	119643-66900	DIODE	1							
30	1	129211-77920	TIMER	1							
31	1	119650-77910	RELAY, GROW	1							
34	1	933110-00100	SWITCH ASSY, STARTER	1							
36	2	933110-00301	KEY ASSY	1							

Fig.20. GASKET SET



Remarks  
(1) OPTIONAL PARTS.

(A)=3TNV76-HGEP

(B)=

(C)=

(D)=

(E)=

(F)=

REF.	LEV.	PARTS NO.	DESCRIPTION	Q'TY						I	R
				(A)	(B)	(C)	(D)	(E)	(F)		
1	1	719717-92820	GASKET SET(NON-ASB.)	1							1
2	2	24341-000240	O-RING 1A S-24.0	1							
3	2	119717-01330	GASKET, CYL.HEAD	1							
4	2	121850-51960	O-RING, F.I.PUMP	1							
5	2	119717-11340	SEAL, VALVE STEM	3							
6	2	129901-11450	PROTECTER, NOZZLE	3							
7	2	119718-11310	GASKET, BONNET	1							
8	2	119717-13110	GASKET, MANIFOLD	1							
9	2	119515-13200	GASKET, SILENCER	3							
10	2	119717-11350	SEAL, VALVE STEM	3							
11	2	22190-080002	SEAL WASHER 8S	4							
12	2	24311-000320	O-RING 1A P-32.0	2							
13	2	119717-32060	O-RING, P15.0	1							
14	2	119624-32040	O-RING P 12.0	1							
15	2	119717-32050	O-RING, P17.0	3							
16	2	119600-11460	GASKET, NOZZLE	6							
17	2	119717-11331	GASKET, BONNET COVER	1							
18	2	124465-44950	GASKET 16	2							
19	2	22190-120002	SEAL WASHER 12	7							
20	2	129901-59560	GASKET, RETURN	3							
21	2	119717-42020	GASKET, WATER PUMP	1							
22	2	23414-080000	GASKET 8, ROUND	1							
23	2	22190-160002	SEAL WASHER 16S	1							
24	1	129400-92420	FLEX HORN	1							1
25	1	977770-1207F	GASKET.LIQUID	1							1