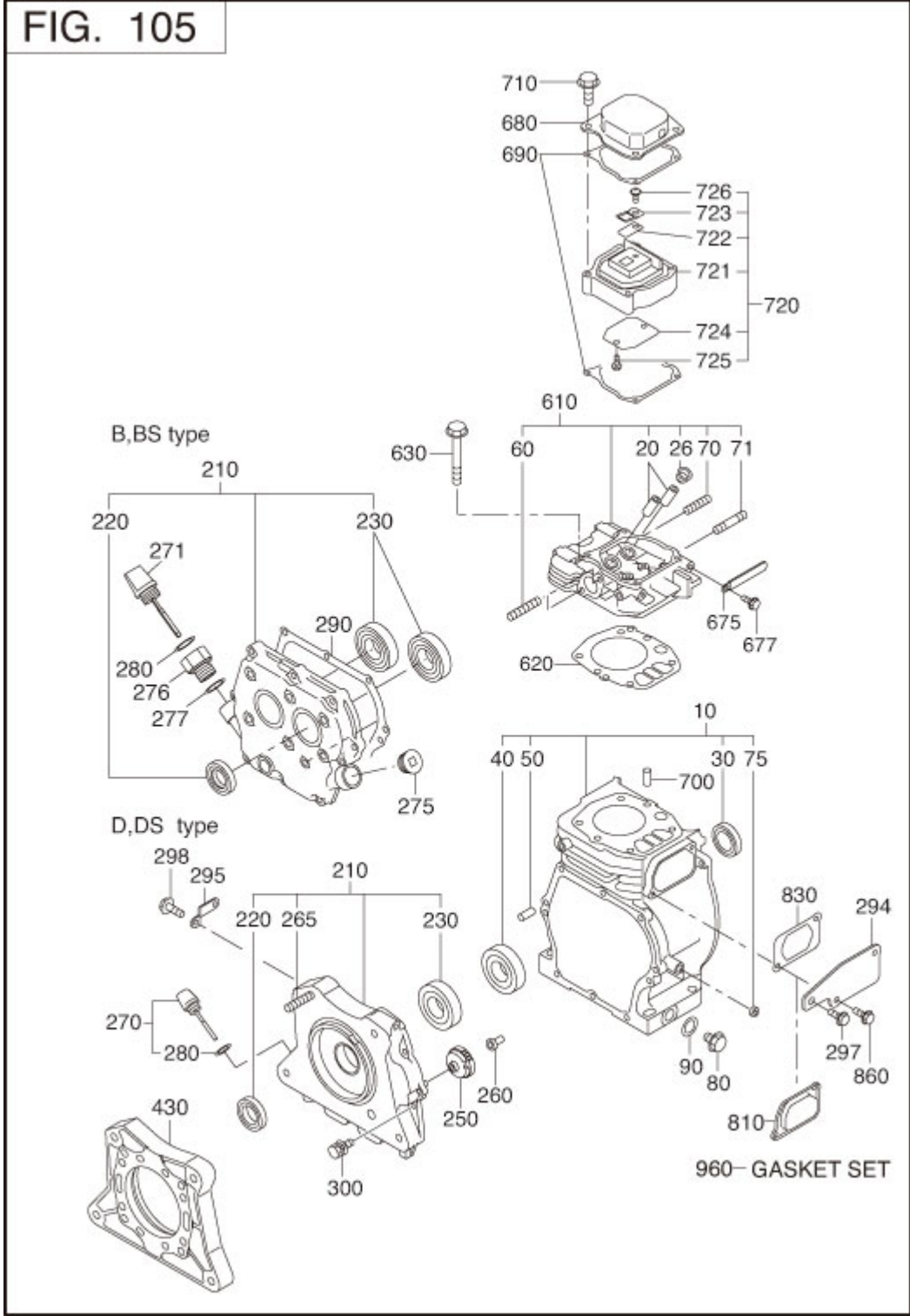


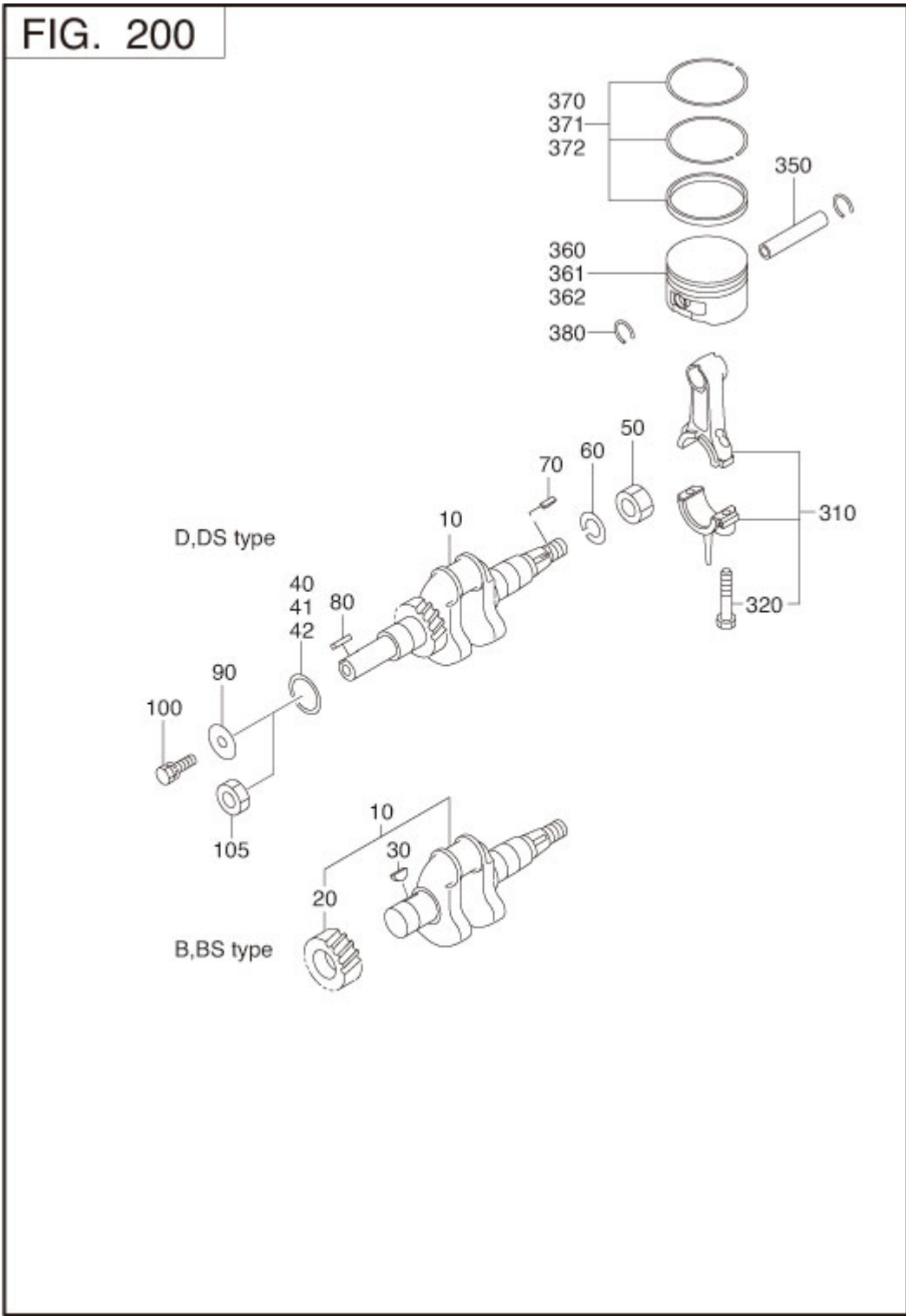
1 CRANK CASE



REF.	PART NUMBER	PART NAME	CODE NO.	QTY	REMARKS	INTERCHANGE
10	252-10301-41	CRANK CASE CP	7190-	1		
	252-10301-31	CRANK CASE CP	-7189	1	RAMMER	
20	237-14202-03	VALVE GUIDE	-	2	5.5DX9.5DX27L	
26	277-16010-01	STEM SEAL	-	1	5.5DX9.5DX15DX7.8B	
30	044-02501-50	OIL SEAL	-	1	25DX38DX7B	
40	060-02501-00	BALL BEARING	-	1	25DX52DX15B	
50	031-00600-20	DOWEL PIN	-	2	6DX14.5L	
60	010-50804-80	STUD	-	2	M8X1.25X35L	
70	010-50601-31	STUD	-	1	M6X1.0X33L	
71	001-39066-00	STUD	-	1		
75	044-00800-10	OIL SEAL	-	1	8DX14DX4B	
80	040-11400-30	PLUG	-	2	M14X1.5X20DX12L	
90	021-11400-20	GASKET	-	2	14.1DX19DX2.3T	
210	268-11109-01	MAIN BEARING COVER C	-	1		
220	044-02501-60	OIL SEAL	-	1	25DX41DX7B	
230	060-02500-10	BALL BEARING	-	1	25DX52DX15B	
250	227-45003-01	GOVERNOR GEAR CP	-	1	52DX26T N=25	
260	205-41901-03	GOVERNOR SLEEVE	-	1	6DX9DX16DX26L	
270	268-63603-01	OIL GAUGE CP	-	1	M18X1.5 L=76+18	
280	021-31600-20	GASKET	-	1	16DX23DX1.2T RUBBER	X21-31600-20
294	252-17002-01	BRACKET(M.B.C) CP	-	1		
295	252-17001-01	SUPPORT(M.B.C)	-	1		
297	001-13081-60	BOLT & WASHER AY	-	1		
298	001-13081-60	BOLT & WASHER AY	-	2		
300	013-00602-00	BOLT AND WASHER AY	-	8	M6X1.0X30L W/SW	
610	268-13101-21	CYLINDER HEAD CP	-	1	RAMMER	
620	253-15001-33	GASKET (HEAD)	-	1	T=0.2	
630	011-00801-00	FLANGE BOLT	-	4	M8X1.25X17DX65L	
675	056-60002-50	CLAMP	-	1	6.5DX10BX95LX0.6T	
677	011-00600-20	FLANGE BOLT	-	1	M6X1.0X14DX12L	
680	252-15502-03	ROCKER COVER	-	1		
690	269-16004-03	GASKET(ROCKER COVER)	-	2	T=2.0	269-16007-03
700	031-00600-20	DOWEL PIN	-	2	6DX14.5L	
710	011-00601-70	FLANGE BOLT	-	4	M6X1.0X13DX40L	
720	252-15601-20	SPACER(BREATHER) AY	-	1		

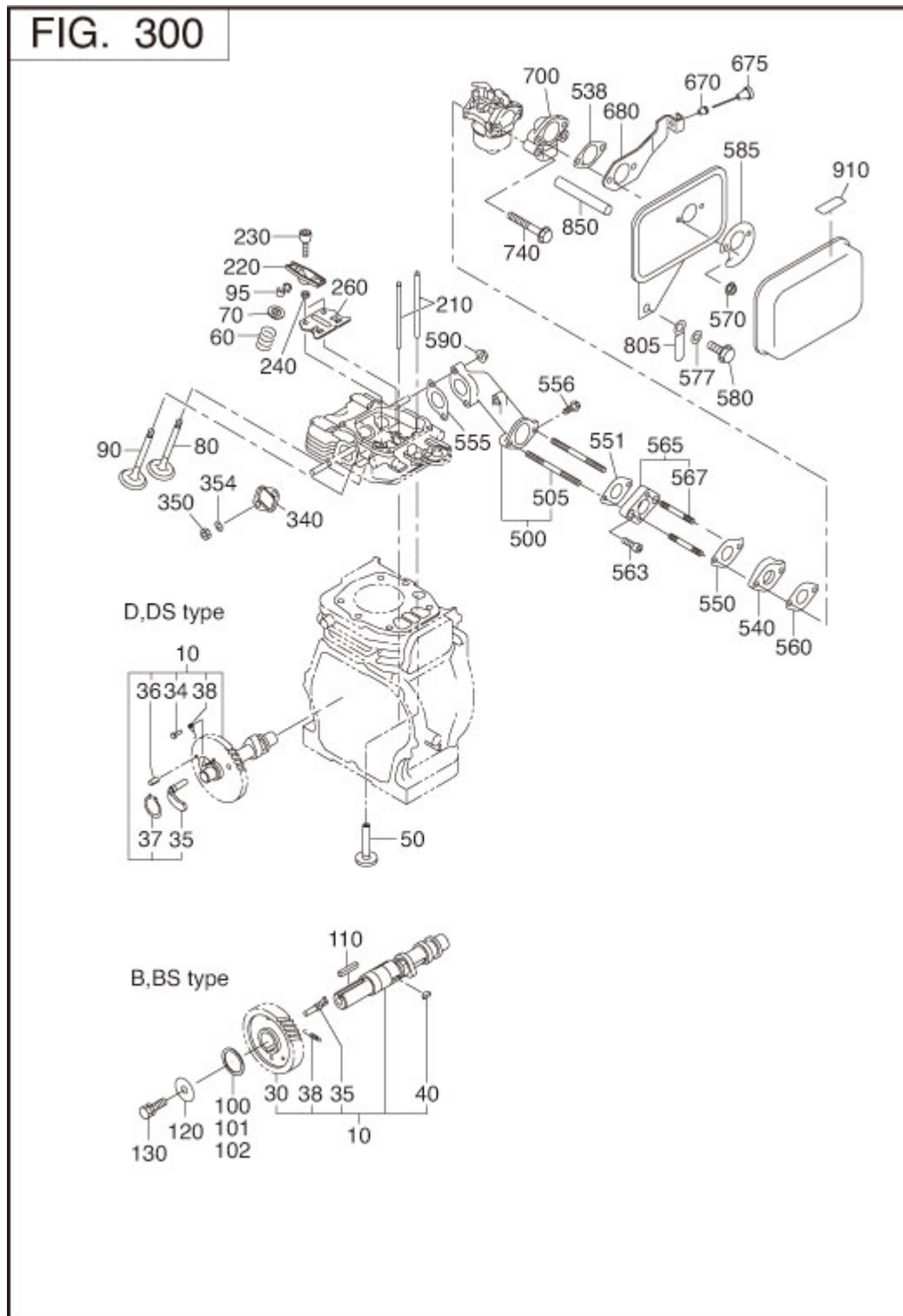
REF.	PART NUMBER	PART NAME	CODE NO.	QTY	REMARKS	INTERCHANGE
721	252-15601-13	SPACER(BREATHER)	-	1		
722	252-16001-03	LEAF VALVE	-	1		
723	252-16101-03	RETAINER PLATE	-	1		
724	252-14401-23	PLATE	-	1		
725	011-00601-50	FLANGE BOLT	-	2	M6X1.0X14DX10L	
726	004-35061-20	SCREW & WASHER AY	-	1		
830	268-16201-03	GASKET(BREATHER CVR)	-	1	T=1.2	
860	001-13061-60	BOLT AND WASHER AY	-	2		
960	268-99002-07	GASKET SET	-	1		

2 CRANKSHAFT,PISTON



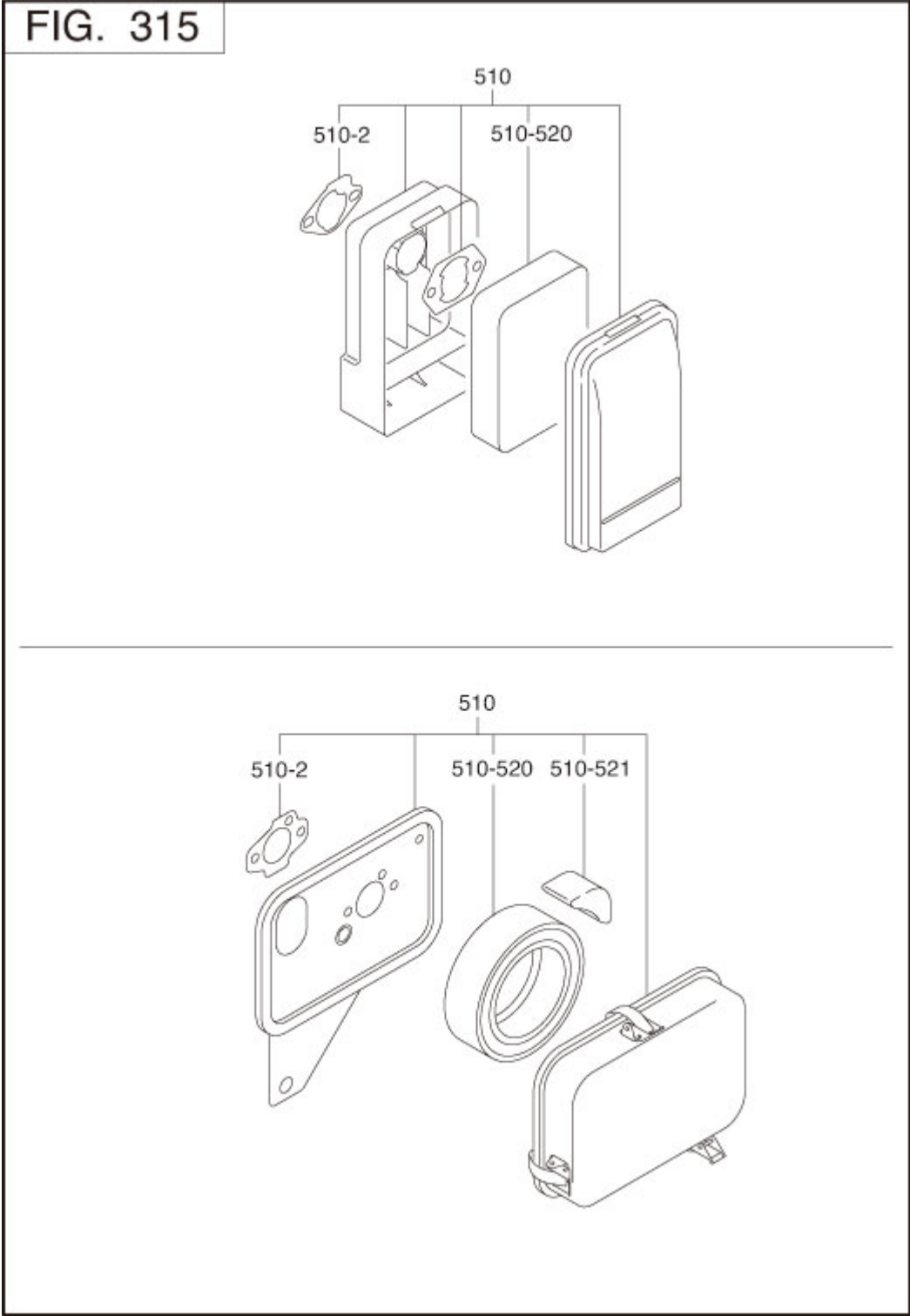
REF.	PART NUMBER	PART NAME	CODE NO.	QTY	REMARKS	INTERCHANGE
10	268-21902-11	CRANKSHAFT CP	-	1	L=237 25DX1/5 TAPER	
40	023-02501-10	SPACER	-	1	25.3DX32DX0.6T	
41	023-02501-20	SPACER	-	1	25.3DX32DX0.8T	
42	023-02501-30	SPACER	-	1	25.3DX32DX1.0T	
50	018-01400-20	FLANGE NUT	7061-	1	M14X1.5X28DX12H	
	002-18140-00	NUT	-7060	1		
60	020-01500-50	WASHER	7061-	1	15DX30DX3.2T	
	003-20140-00	SPRING WASHER	-7060	1		
70	032-30300-10	WOODRUFF KEY	-	1	3BX6HX16D	
310	252-22501-20	CONNECTING ROD AY	-	1		
320	277-23001-03	CONNECTING ROD BOLT	-	2	M6X1.0X13DX33L	
350	268-23301-13	PISTON PIN	-	1	13DX8DX44L	
360	268-23401-H3	PISTON	-	1	STD (60DX35H)	
361	268-23402-H3	PISTON	-	1	0.25 O.S.(60DX35H)	
362	268-23403-H3	PISTON	-	1	0.50 O.S.(60DX35H)	
370	252-23501-17	PISTON RING SET	-	1	STD (60D)	
371	252-23502-17	PISTON RING SET	-	1	0.25 O.S.(60D)	
372	252-23503-17	PISTON RING SET	-	1	0.50 O.S.(60D)	
380	215-25004-03	CLIP	-	2	14.1DX1.2D	

3 INTAKE EXHAUST



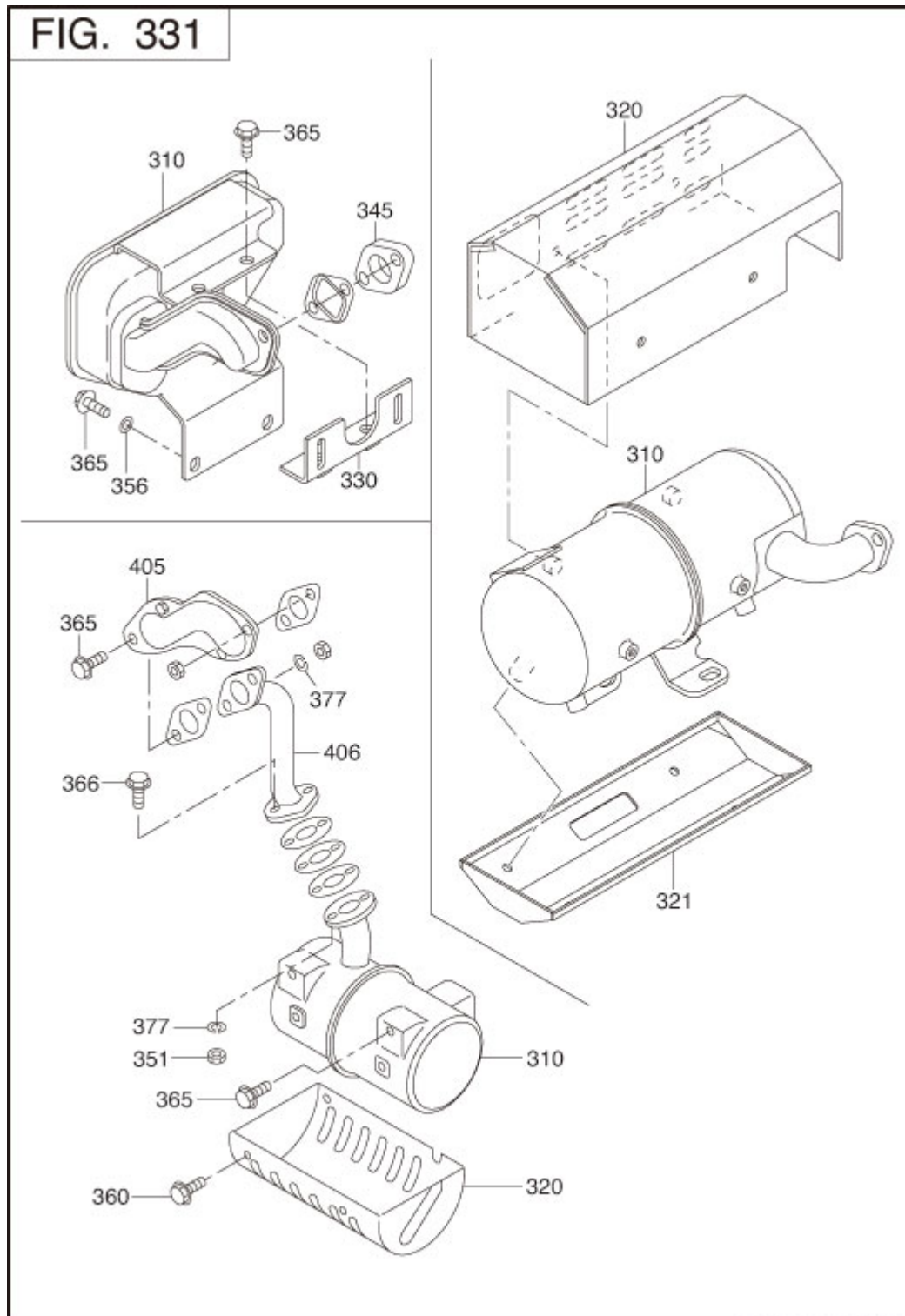
REF.	PART NUMBER	PART NAME	CODE NO.	QTY	REMARKS	INTERCHANGE
10	253-31701-11	CAMSHAFT CP	-	1	L=116 89DX8B N=44	
34	227-38601-23	PIN(SPRING)	-	1	3.8DX7.5DX14L	
35	227-36401-13	RELEASE LEVER	-	1		
36	005-19041-00	SPRING PIN	-	1		
37	003-15220-00	SNAPRING (OUTER)	-	1		
38	227-38701-03	RETURN SPRING	-	1	5DX0.7DX5.5L N=6.8	
50	239-33301-13	TAPPET	-	2	26DX8DX48L	
60	253-33601-03	VALVE SPRING	-	2	19.1DX2.3DX27L N=5.5	
70	269-33701-03	SPRING RETAINER	-	2		
80	268-33401-03	INTAKE VALVE	-	1	21DX5.5DX66.8L	
90	268-33501-03	EXHAUST VALVE	-	1	19DX5.5DX66.8L	
95	132-10KA0-31	COLLET-VALVE	-	4		
210	268-35301-03	PUSH ROD	-	2	5.6DX118.5L	
220	269-36002-03	ROCKER ARM	7113-	2		
	269-36001-03	ROCKER ARM	-7112	2		269-36002-03
230	269-35801-03	BOLT (PIVOT)	-	2	M6X0.75X19L SOCKET H	
240	017-00600-90	NUT	-	2	M6X0.75X5.1H	
260	269-36501-03	GUIDE PLATE	-	1		
340	253-35201-03	GASKET(MUFFLER)	-	2	T=0.2	
350	017-60800-20	SELF LOCK NUT	-	2	M8X1.25X13H	
500	268-33003-11	INTAKE PIPE CP	-	1		
505	010-50602-30	STUD	-	2	M6X1.0X80L	
540	106-32912-03	INSULATOR	-	1	T=5 20D 6.5DX42P	
555	282-35901-03	GASKET(INSULATOR)	-	1	T=0.5 25D 6.5DX42P	
556	001-14064-00	BOLT AND WASHER AY	-	1		
560	157-35001-03	GASKET (INSULATOR)	-	2	T=0.3 20D 6.5DX42P	
570	017-60600-20	SELF LOCK NUT	-	2	M6X1.0X13DX6.9H	
577	020-00800-80	WASHER	-	1	8.4DX17DX3.2T	
580	001-13081-80	BOLT AND WASHER AY	-	1		
585	252-36502-03	PLATE(AIR CLEANER)	-	1		
590	002-38060-00	FLANGE NUT	-	2		
850	252-18002-03	RUBBER PIPE	-	1	8DX11D FORMED	

3 INTAKE EXHAUST



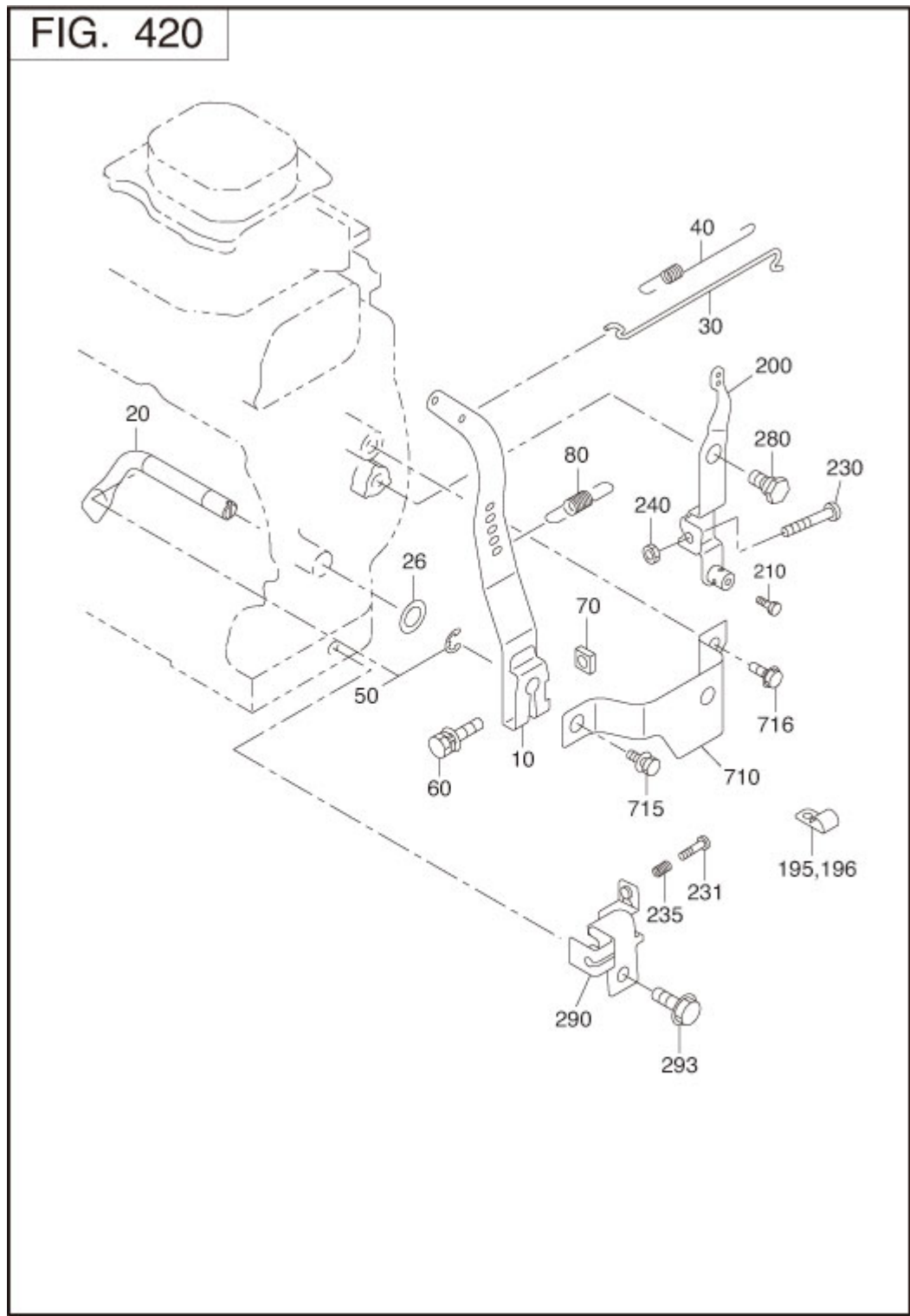
REF.	PART NUMBER	PART NAME	CODE NO.	QTY	REMARKS	INTERCHANGE
510	252-32712-30	AIR CLEANER AY	-	1	DOUBLE ELEMENT	
- 2	226-32720-08	GASKET(AIR CLEANER)	-	1		
-520	252-32602-07	ELEMENT SET	-	1		
-521	252-32614-08	ELEMENT	-	1		

3 INTAKE EXHAUST



REF.	PART NUMBER	PART NAME	CODE NO.	QTY	REMARKS	INTERCHANGE
310	252-30401-11	MUFFLER CP	-	1		
330	252-37001-11	BRACKET CP	-	1		
345	252-36501-23	SPACER (EXHAUST)	-	1	T=9	
365	001-13081-60	BOLT & WASHER AY	-	2		
366	001-14081-60	BOLT AND WASHER AY	-	2		

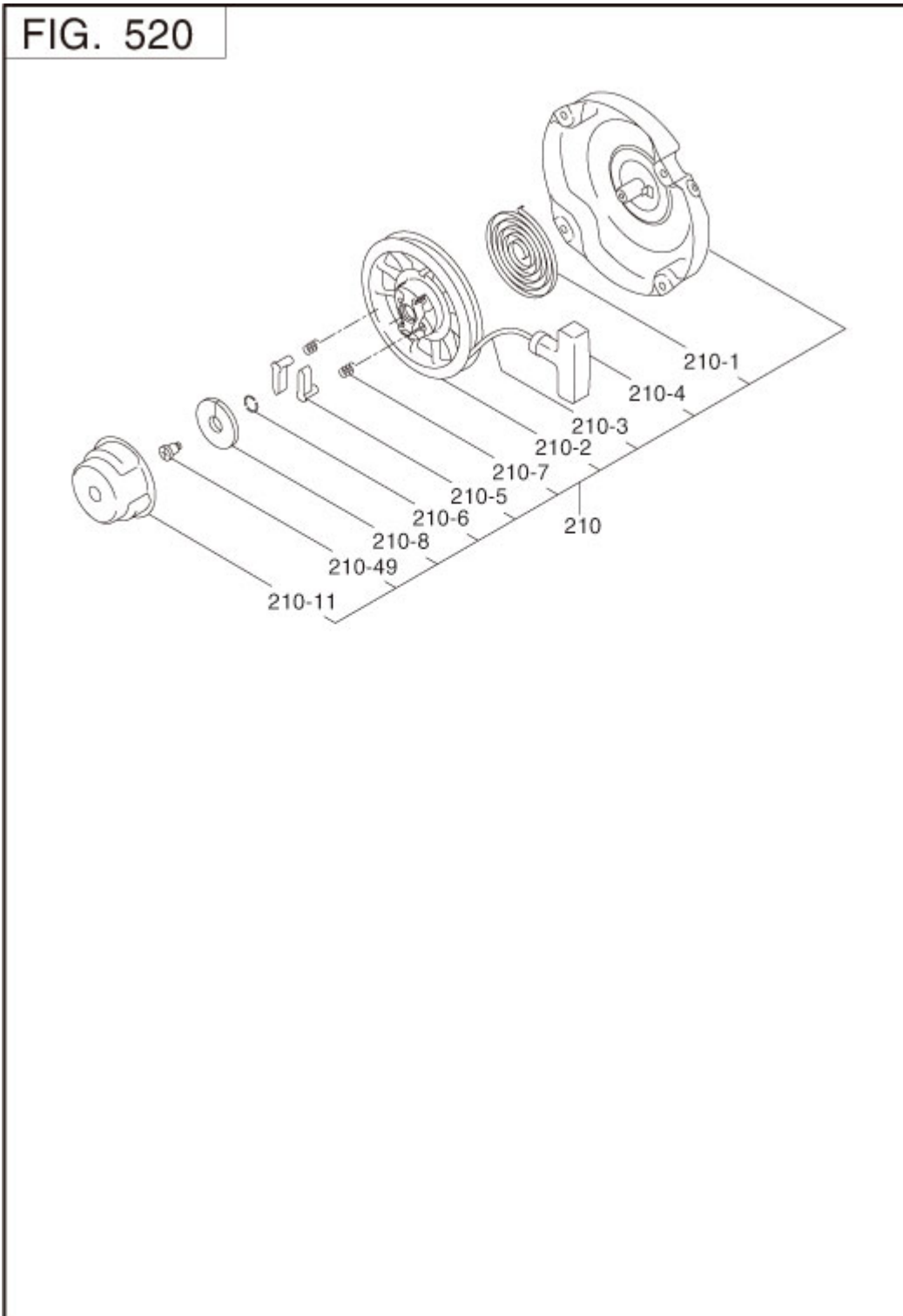
4 GOVERNOR,OPERATION



REF.	PART NUMBER	PART NAME	CODE NO.	QTY	REMARKS	INTERCHANGE
10	252-42303-03	GOVERNOR LEVER	-	1		
20	227-42201-03	GOVERNOR SHAFT	-	1		
26	003-11080-00	WASHER	-	1		
30	254-42701-01	GOVERNOR ROD CP	-	1		
40	254-42801-03	ROD SPRING	-	1	6DX0.5DX102L N=13	
50	003-13060-00	CLIP	-	2		
60	001-14063-00	BOLT AND WASHER AY	-	1		
70	018-60600-20	NUT	-	1	M6X1.0X4.9H SQUARE	
80	252-42503-23	GOVERNOR SPRING	-	1	6.8DX0.9DX47L N=10.5	
200	252-43402-30	SPEED CONTROL AY	-	1		
210	011-60400-30	BOLT	-	1	M4X0.7X8L	
230	004-31052-50	SCREW,PANHEAD	-	1		
231	004-31042-50	SCREW	-	1		
235	268-45001-13	CONTROL SPRING	-	1	5.3DX0.8DX14.5L N=7	
240	002-17050-00	NUT	-	1		
280	226-43101-01	LINK PIVOT CP	-	1		
290	252-44202-13	WIRE BRACKET	-7152	1		
293	011-00600-30	FLANGE BOLT	-	1	M6X1.0X14DX14L	
710	252-42801-11	PROTECTOR(GOV) CP	-	1		
715	001-13081-60	BOLT & WASHER AY	-	1		
716	011-00600-30	FLANGE BOLT	-	1	M6X1.0X14DX14L	

REF.	PART NUMBER	PART NAME	CODE NO.	QTY	REMARKS	INTERCHANGE
10	252-51654-21	BLOWER HOUSING CP 2	-	1	VIBRATOR D SILVER	
20	268-95101-03	LABEL(MODEL)	-	1		
21	073-20054-70	LABEL(TRADE MARK)	-	1	60D	
40	001-14065-50	BOLT AND WASHER AY	-	4		
90	268-52703-03	HEAD COVER	-	1		
95	011-00601-40	FLANGE BOLT	-	2	M6X1.0X14DX18L	
220	011-00600-10	FLANGE BOLT	-	4	M6X1.0X14DX8L	

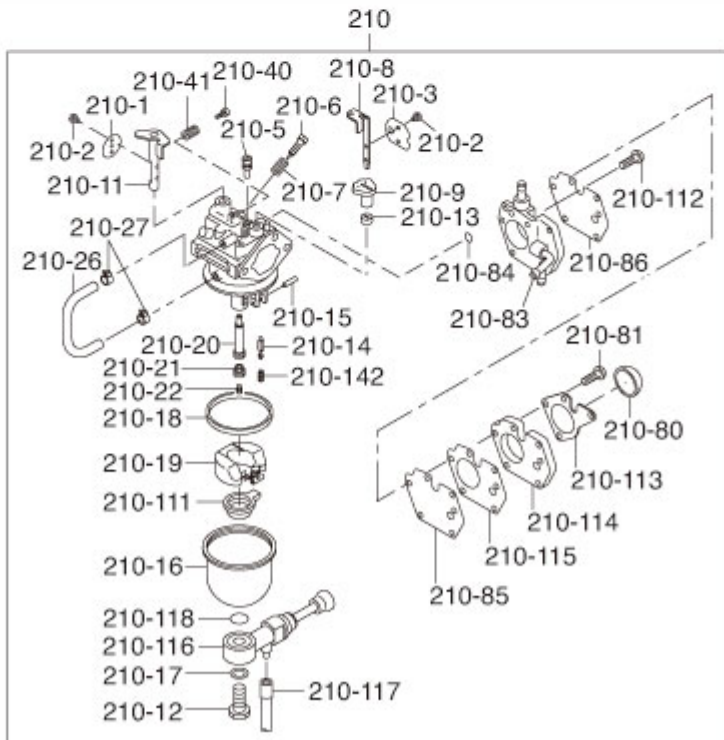
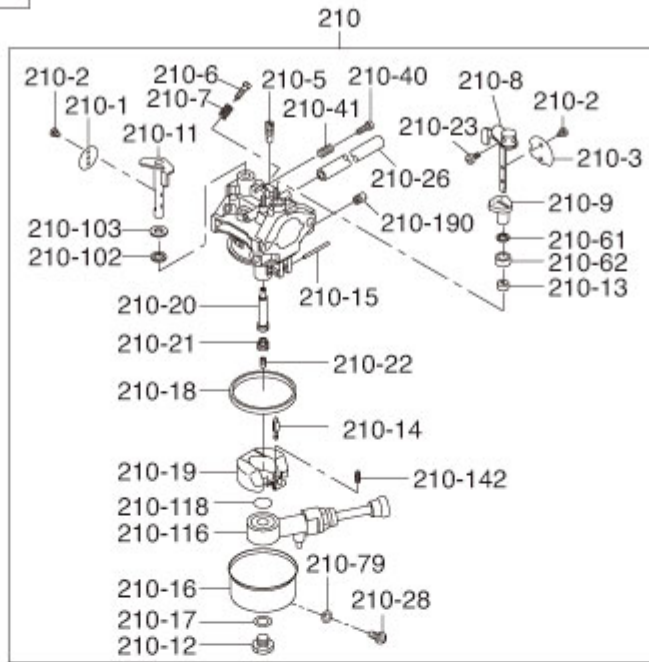
5 COOLING,STARTING



REF.	PART NUMBER	PART NAME	CODE NO.	QTY	REMARKS	INTERCHANGE
210	268-50201-30	RECOIL STARTER AY	-	1	D 160PD	
- 1	270-50115-08	SPIRAL SPRING	-	1		
- 2	269-50120-08	REEL	-	1		
- 3	282-50111-18	STARTER ROPE	-	1		
- 4	261-50100-08	STARTER KNOB	-	1		
- 5	270-50125-08	RATCHET	-	2		
- 6	227-50131-08	FRICTION SPRING	-	1		
- 7	227-50135-08	RETURN SPRING	-	2		
- 8	270-50261-08	RATCHET GUIDE	-	1		
- 11	268-50145-18	STARTER PULLEY	-	1		
- 49	227-50152-08	SET SCREW	-	1		

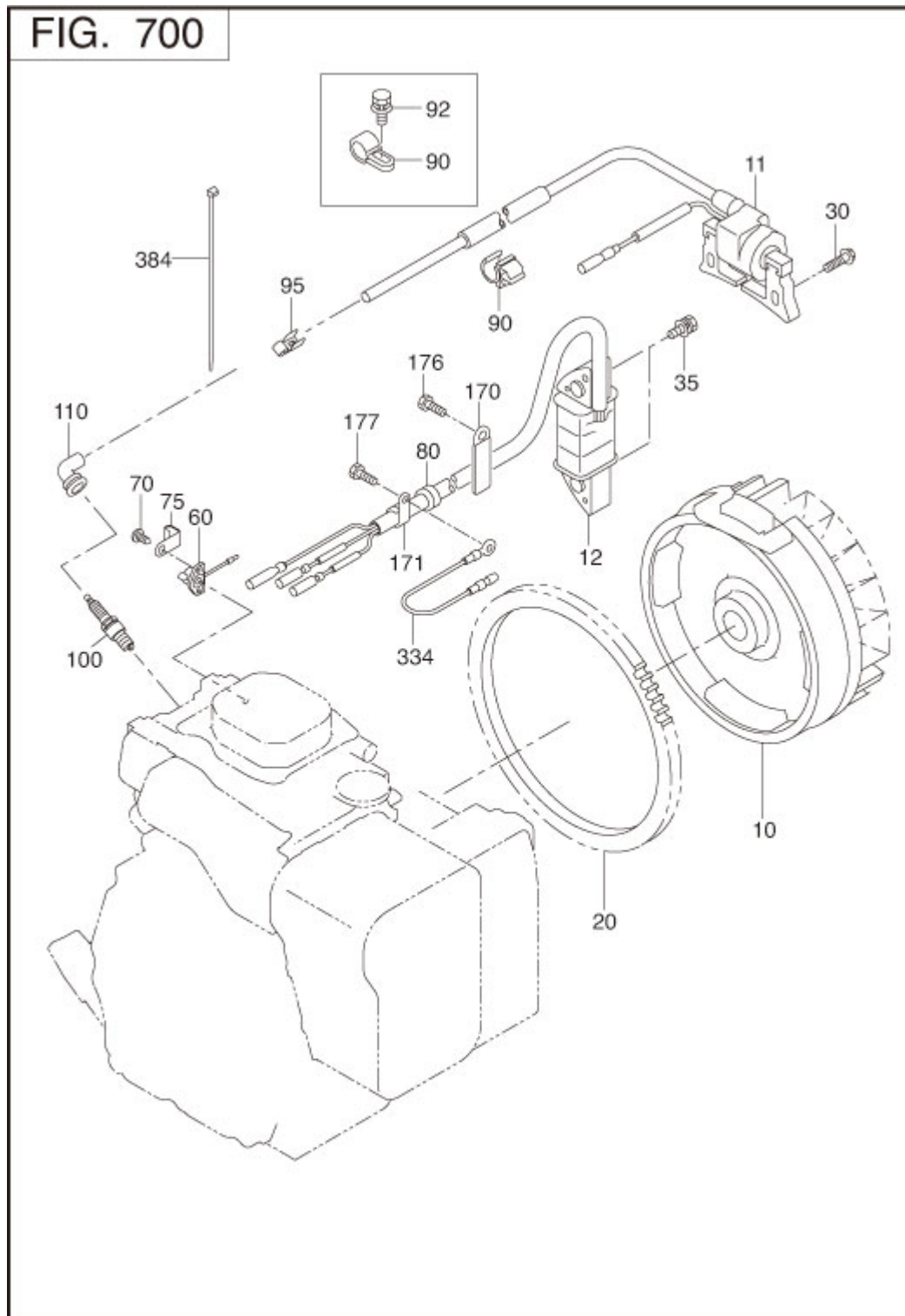
6 FUEL LUBRICANT

FIG. 640



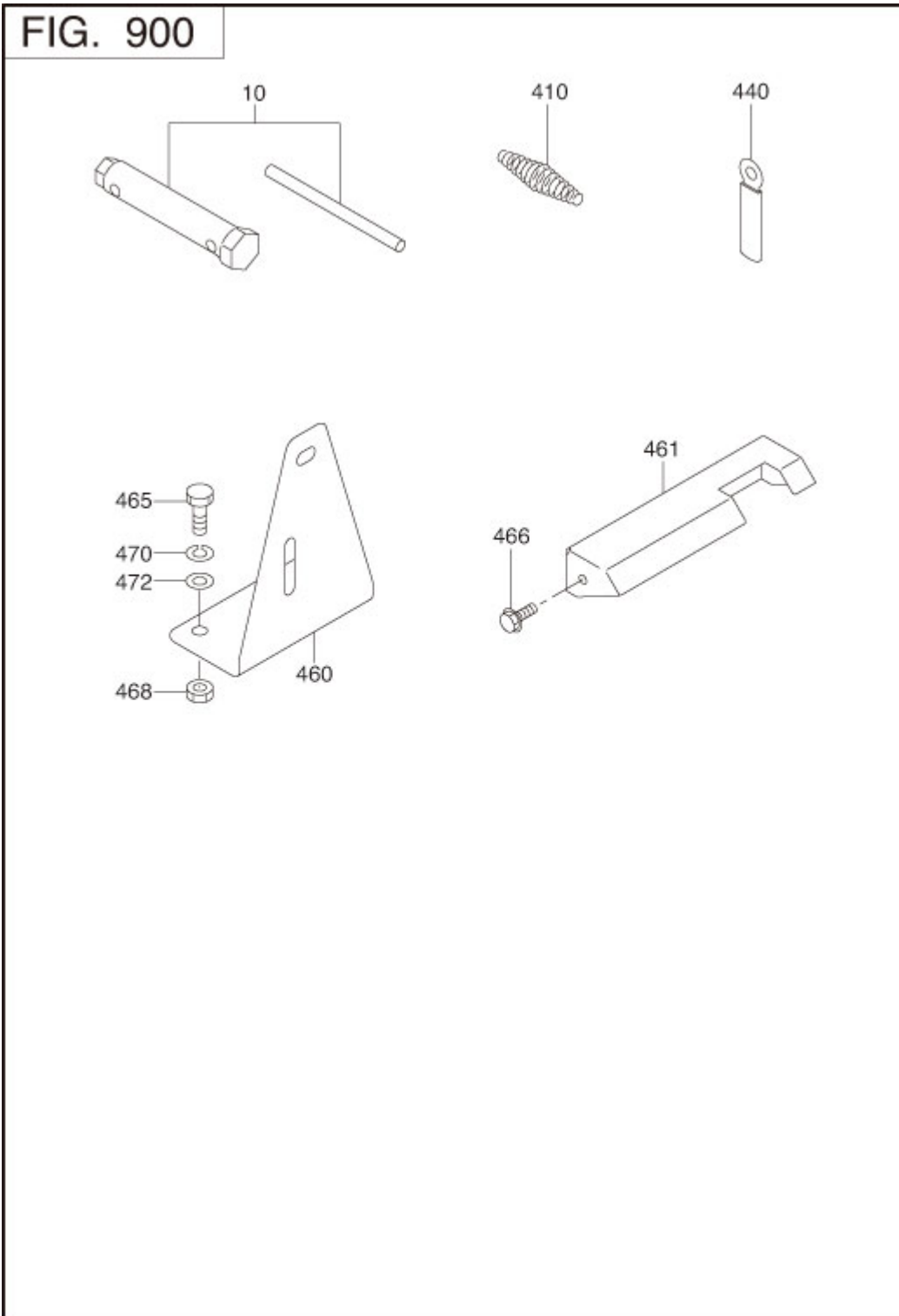
REF.	PART NUMBER	PART NAME	CODE NO.	QTY	REMARKS	INTERCHANGE
210	252-62551-20	CARBURETOR AY	-	1		
- 1	252-62535-08	THROTTLE VALVE	-	1	#180	
- 2	237-62451-08	SCREW	-	1		
- 3	236-62528-08	CHOKE VALVE	-	1		
- 5	252-62421-08	PILOT JET	-	1		
- 8	252-62521-08	CHOK SHAFT AY	-	1		
- 11	161-62530-08	SHAFT AY (THROTTLE)	-	1		
- 12	236-62451-08	BOLT	-	1		
- 14	161-62352-08	NEEDLE	-	1		
- 15	214-62515-08	PIN	-	1		
- 16	236-62552-08	FLOAT CHAMBERBODY AY	-	1		
- 17	236-62450-08	PACKING	-	1		
- 18	236-62540-08	PACKING	-	1		
- 19	236-62505-08	FLOAT	-	1		
- 20	252-62440-08	MAIN NOZZLE	-	1		
- 21	235-62425-08	GUIDE HOLDER	-	1		
- 22	252-62405-08	MAIN JET	-	1	#68.8	
- 26	161-62353-08	HOSE	-	1		
- 28	236-62350-08	SCREW	-	1		
- 40	246-62435-08	ADJUST SCREW	-	1		
- 41	230-62446-08	SPRING	-	1		
- 79	236-62541-08	PACKING	-	1		
-142	236-62445-08	SPRING	-	1		

7 ELECTRIC DEVICE



REF.	PART NUMBER	PART NAME	CODE NO.	QTY	REMARKS	INTERCHANGE
10	268-79332-01	FLYWHEEL CP	-	1	MARK MF5210	
11	269-79430-11	IGNITION COIL CP	-	1	MARK BM3745 A	
30	001-14062-50	BOLT AND WASHER AY	-	2		
60	066-00004-80	SWITCH AY	6994-	1		
	066-00003-71	SWITCH AY	-6993	1		
70	015-00400-90	TAPPING SCREW	-	2	M4X12L	
75	056-60300-10	CLAMP	-	1	3.5DXM4X8BX0.8T	
90	056-60002-50	CLAMP	-	1	6.5DX10BX95LX0.6T	
95	065-50001-00	PLUG TERMINAL	-	1		
100	065-01405-80	SPARK PLUG	-	1	NGK BR6ES	
110	230-75101-13	SPARK PLUG CAP	-	1		

9 ACCESSORIES LABEL



REF.	PART NUMBER	PART NAME	CODE NO.	QTY	REMARKS	INTERCHANGE
10	227-90301-10	ACCESSORY TOOL KIT	-	1		
410	083-00000-10	COIL SPRING	-	1		
460	268-14501-13	COVER(A)	-	1		
465	001-65083-50	BOLT	-	2		
466	011-00600-30	FLANGE BOLT	-	2	M6X1.0X14DX14L	
468	002-17080-00	NUT	-	2		
470	003-20080-00	SPRING WASHER	-	2		
472	003-10080-00	WASHER	-	2		