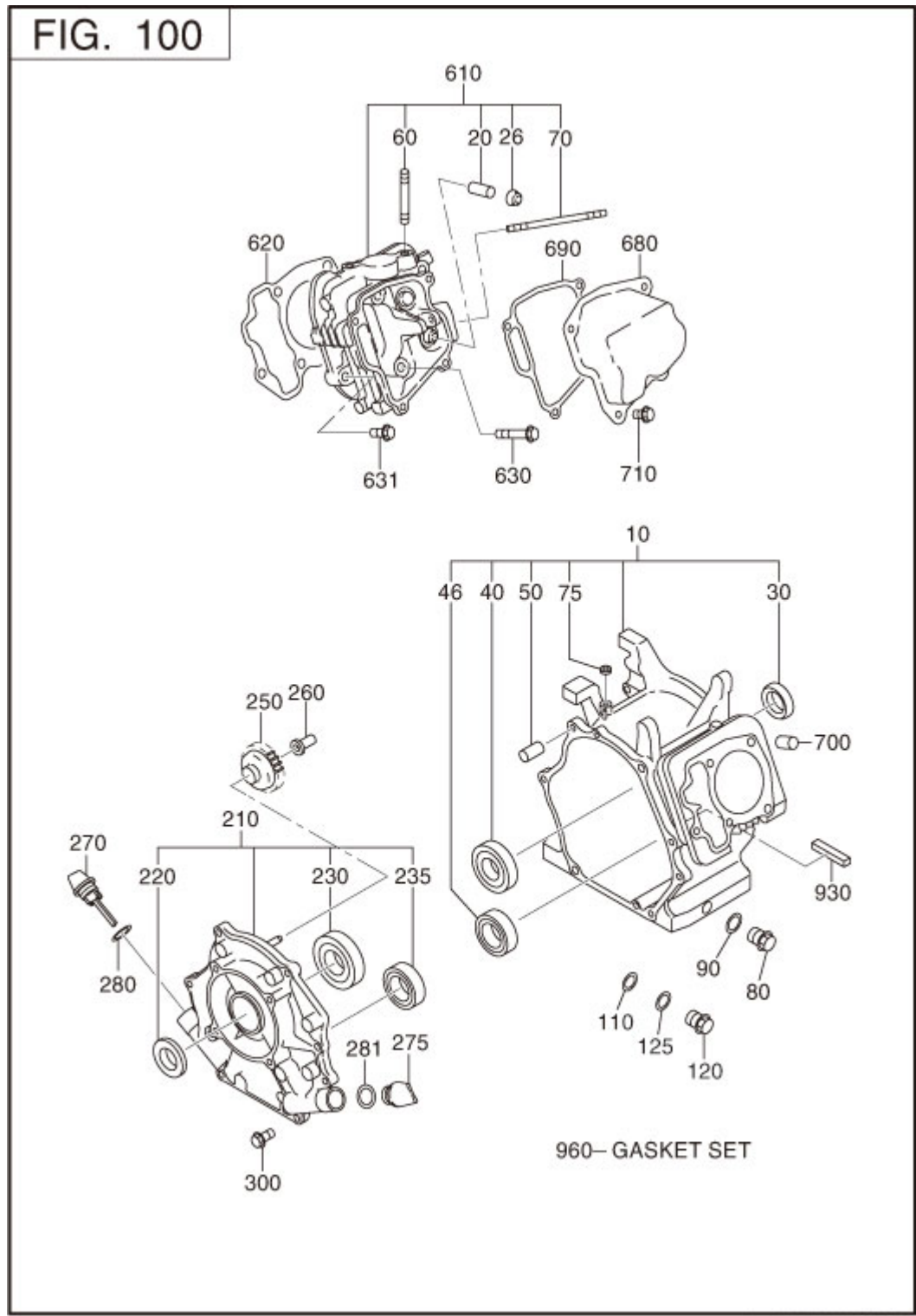


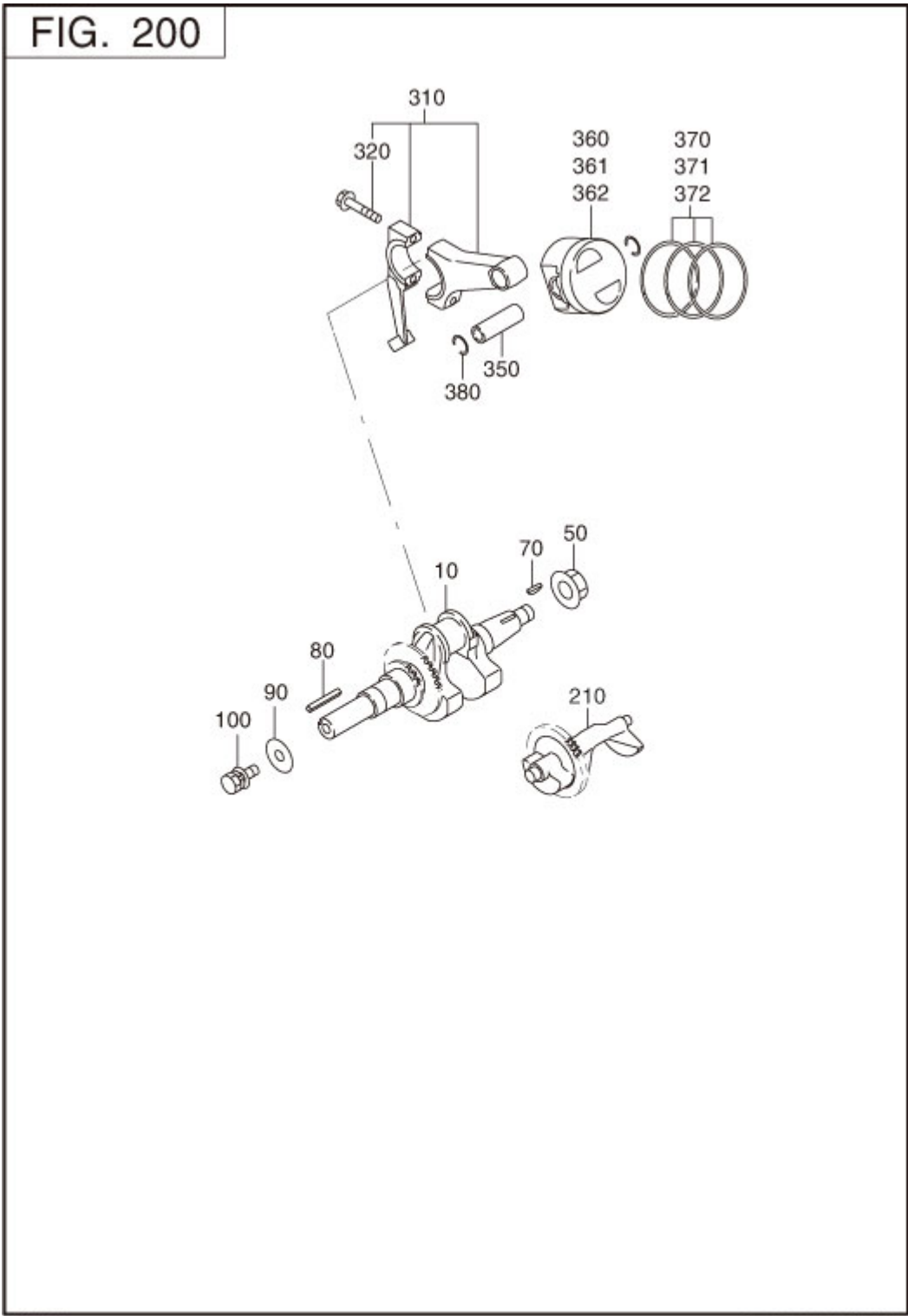
1 CRANK CASE



REF.	PART NUMBER	PART NAME	CODE NO.	QTY	REMARKS	INTERCHANGE
10	279-10102-81	CRANK CASE CP	6819-	1		
	279-10102-61	CRANK CASE CP	6713-6818	1	W/OIL SENSOR	
	279-10102-51	CRANK CASE CP	-6712	1	W/OIL SENSOR	279-10102-71
20	237-14202-03	VALVE GUIDE	-	2	5.5DX9.5DX27L	
26	277-16010-01	STEM SEAL	-	1	5.5DX9.5DX15DX7.8B	
30	044-03001-60	OIL SEAL	-	1	30DX45DX7B	
40	060-03003-41	BALL BEARING	-	1	30DX62DX16B	
50	277-15011-03	PIPE KNOCK	-	2	10.3DX8.5DX14L	
60	010-50802-50	STUD	-	2	M8X1.25X25L	
70	010-50604-10	STUD	-	2	M6X1.0X107L	
75	044-00600-20	OIL SEAL	-	1	6DX10DX2.5B	
80	040-11400-30	PLUG	-	1	M14X1.5X20DX12L	
90	021-11400-20	GASKET	-	1	14.1DX19DX2.3T	
210	279-11002-11	MAIN BEARING COVER C	-	1	FLANGE 4-5/16-24UNF	
220	044-03001-60	OIL SEAL	-	1	30DX45DX7B	
230	060-03003-70	BALL BEARING	-	1	30DX62DX16B	
250	277-45004-J1	GOVERNOR GEAR CP	6788-	1	53DX29.1T N=33	
	277-45004-H1	GOVERNOR GEAR CP	6088-6787	1	53DX29.1T N=33	277-45004-J1
	277-45004-21	GOVERNOR GEAR CP	-6087	1	53DX28.8T N=33	277-45004-H1
260	277-41901-03	GOVERNOR SLEEVE	-	1	6DX7.6DX16DX26L	
270	279-63601-13	OIL GAUGE	6241-	2	M22X1.5 L=67.5+18	
	279-63601-13	OIL GAUGE	-6240	1	M22X1.5 L=67.5+18	
275	279-65001-03	FILLER PLUG	-6240	1		
280	021-32000-50	GASKET	-	1	20DX27DX1.5T RUBBER	
281	021-32000-50	GASKET	-6240	1	20DX27DX1.5T RUBBER	
300	001-04083-50	FLANGE BOLT	-	7		
610	279-13001-21	CYLINDER HEAD CP	6635-	1		
	279-13001-11	CYLINDER HEAD CP	5996-6634	1		279-13001-21
	279-13001-01	CYLINDER HEAD CP	-5995	1		
620	279-15001-33	GASKET (HEAD)	6286-	1	T=0.2	
	279-15001-23	GASKET (HEAD)	5996-6285	1	T=0.2	279-15001-33
	279-15001-13	GASKET (HEAD)	-5995	1	T=0.2	279-15001-23
630	011-00802-40	FLANGE BOLT	-	4	M8X1.25X16DX68L	
631	011-00803-10	FLANGE BOLT	6179-	1	M8X1.25X16DX33L	
	001-04083-50	FLANGE BOLT	-6178	1		

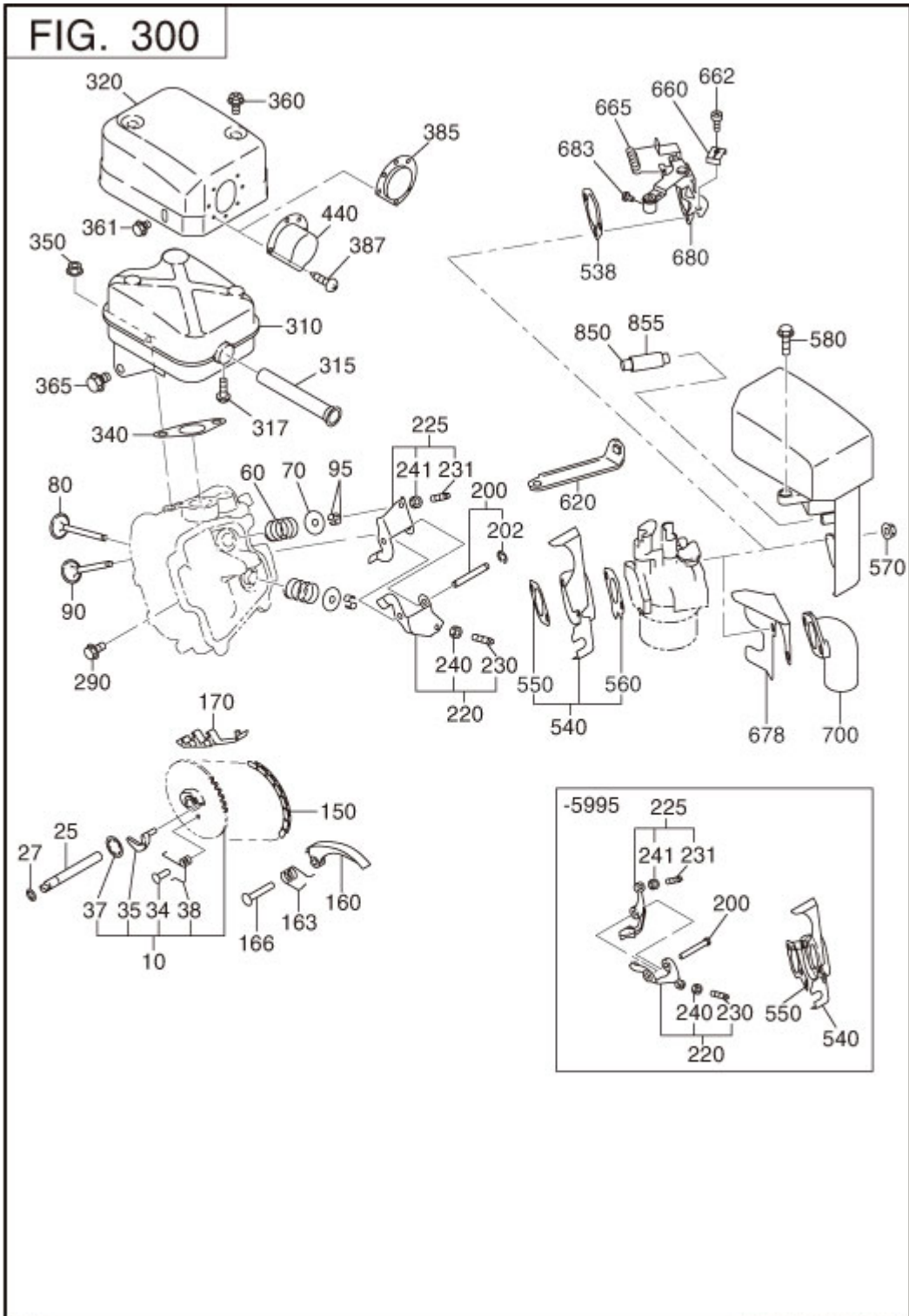
REF.	PART NUMBER	PART NAME	CODE NO.	QTY	REMARKS	INTERCHANGE
680	277-15503-01	ROCKER COVER CP	6666-	1		
	277-15501-01	ROCKER COVER CP	-6665	1		277-15503-01
690	277-16001-13	GASKET(ROCKER COVER)	6241-	1	T=0.5	
	277-16001-03	GASKET(ROCKER COVER)	-6240	1	T=0.7	277-16001-13
700	277-15011-03	PIPE KNOCK	-	2	10.3DX8.5DX14L	
710	011-00600-20	FLANGE BOLT	-	4	M6X1.0X14DX12L	
960	279-99001-27	GASKET SET	-	1		

2 CRANKSHAFT,PISTON



REF.	PART NUMBER	PART NAME	CODE NO.	QTY	REMARKS	INTERCHANGE
10	279-21201-31	CRANKSHAFT CP	-	1	L=342 DH 22.1DX1/5.3	
50	018-01800-10	FLANGE NUT	-	1	M18X15X31DX14H	
70	032-30300-10	WOODRUFF KEY	-	1	3BX6HX16D	
310	279-22501-20	CONNECTING ROD AY	-	1	104.5CDX26B 34.5D-18	279-22501-30
320	279-23001-03	CONNECTING ROD BOLT	-	2	M7X1.0X13.8DX40L	
350	279-23301-13	PISTON PIN	6666-	1	18DX13DX53L	
	279-23301-03	PISTON PIN	-6665	1	18DX13DX53L	279-23301-13
360	279-23401-H3	PISTON	6502-	1	STD (75DX43H)	
	279-23401-03	PISTON	-6501	1	STD (75DX43H)	279-23401-H3
361	279-23403-H3	PISTON	6502-	1	0.25 O.S.(75DX43H)	
	279-23403-03	PISTON	-6501	1	0.25 O.S.(75DX43H)	279-23403-H3
362	279-23404-H3	PISTON	6502-	1	0.50 O.S.(75DX43H)	
	279-23404-03	PISTON	-6501	1	0.50 O.S.(75DX43H)	279-23404-H3
370	279-23511-17	PISTON RING SET	-	1	STD (75D) OIL EXPAND	
371	279-23512-17	PISTON RING SET	-	1	0.25 O.S. OIL EXPAND	
372	277-23513-17	PISTON RING SET	-	1	0.50 O.S. OIL EXPAND	
380	056-51800-10	CLIP	-	2	18.9DX1.6D	

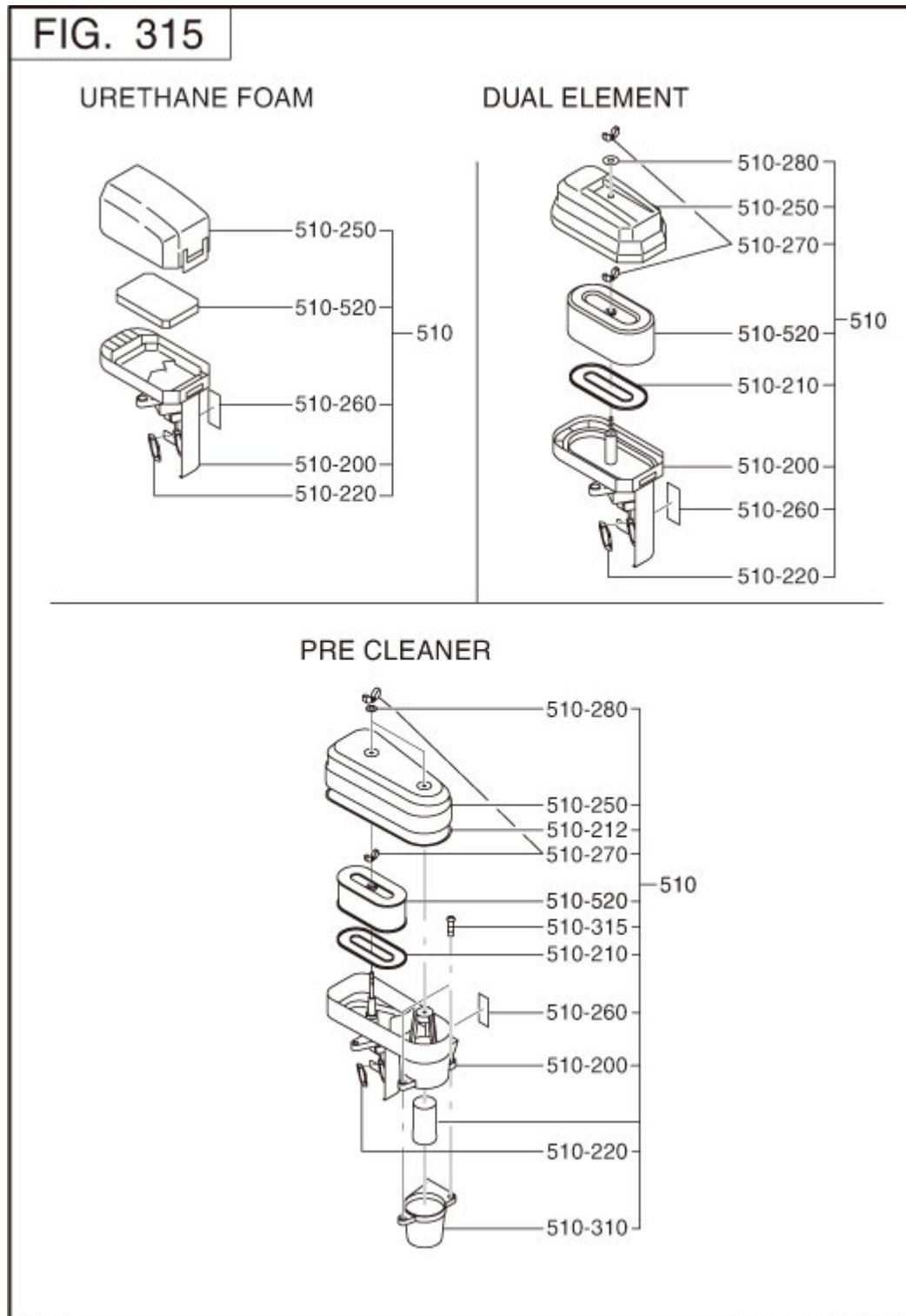
3 INTAKE EXHAUST



REF.	PART NUMBER	PART NAME	CODE NO.	QTY	REMARKS	INTERCHANGE
10	279-31601-01	CAM SHAFT CP	-	1	93DX2.9B N=44	
25	277-35101-03	PIN(CAM SHAFT)	-	1	9DX78.5L	
27	024-00600-10	O RING	-	1	5.8DX9.6D	
34	277-38601-03	PIN(SPRING)	-	1	4DX8DX9L	
35	279-36401-03	RELEASE LEVER	-	1		
37	277-36501-03	CLIP	-	1	13.8DX20.3DX0.4T	
38	277-38701-03	RETURN SPRING	-	1	5.3DX0.6DX5.5L N=5.8	
60	279-33601-03	VALVE SPRING	-	2	19.2DX2.3DX27.4L	
70	269-33701-03	SPRING RETAINER	-	2		
80	279-33401-H3	INTAKE VALVE	6509-	1	28.5DX5.5DX67.8L	
	279-33401-13	INTAKE VALVE	-6508	1	28.5DX5.5DX67.8L	279-33401-H3
90	279-33501-H3	EXHAUST VALVE	6509-	1	26.5DX5.5DX67.8L	
	279-33501-13	EXHAUST VALVE	-6508	1	26.5DX5.5DX67.8L	279-33501-H3
95	132-10KA0-31	COLLET-VALVE	-	4		
150	279-35601-11	TIMING CHAIN CP	5996-	1	100 LINK	
	279-35601-01	TIMING CHAIN CP	-5995	1	100 LINK	
160	277-36911-03	TENTIONER	-	1		
163	277-37101-03	SPRING(TENTIONER)	-	1	10DX1.8DX14L N=4.5	
166	277-36902-03	PIN(TENTIONER)	-	1	6DX13DX34L	
170	277-36913-13	CHAIN GUIDE	-	1		
200	277-35002-01	PIN(ROCKER) CP	5996-	1	6DX46L	
	277-35001-23	PIN(ROCKER)	-5995	1	6DX9DX41L	277-35002-01
202	003-13050-00	CLIP	5996-	1		
220	277-36201-00	ROCKER ARM(IN) AY	5996-	1		
	277-36101-00	ROCKER ARM(IN) AY	-5995	1		
225	277-36202-00	ROCKER ARM(EX) AY	5996-	1		
	277-36102-00	ROCKER ARM(EX) AY	-5995	1		
230	014-90500-20	ADJUST SCREW	5996-	1	M5X0.5X23L	
	014-90500-10	ADJUST SCREW	-5995	1	M5X0.5X23L	
231	014-90500-20	ADJUST SCREW	5996-	1	M5X0.5X23L	
	014-90500-10	ADJUST SCREW	-5995	1	M5X0.5X23L	
240	017-00500-30	NUT	5996-	1	M5X0.5X4.1H	
	017-00500-20	NUT	-5995	1	M5X0.5X4.1H	
241	017-00500-30	NUT	5996-	1	M5X0.5X4.1H	
	017-00500-20	NUT	-5995	1	M5X0.5X4.1H	

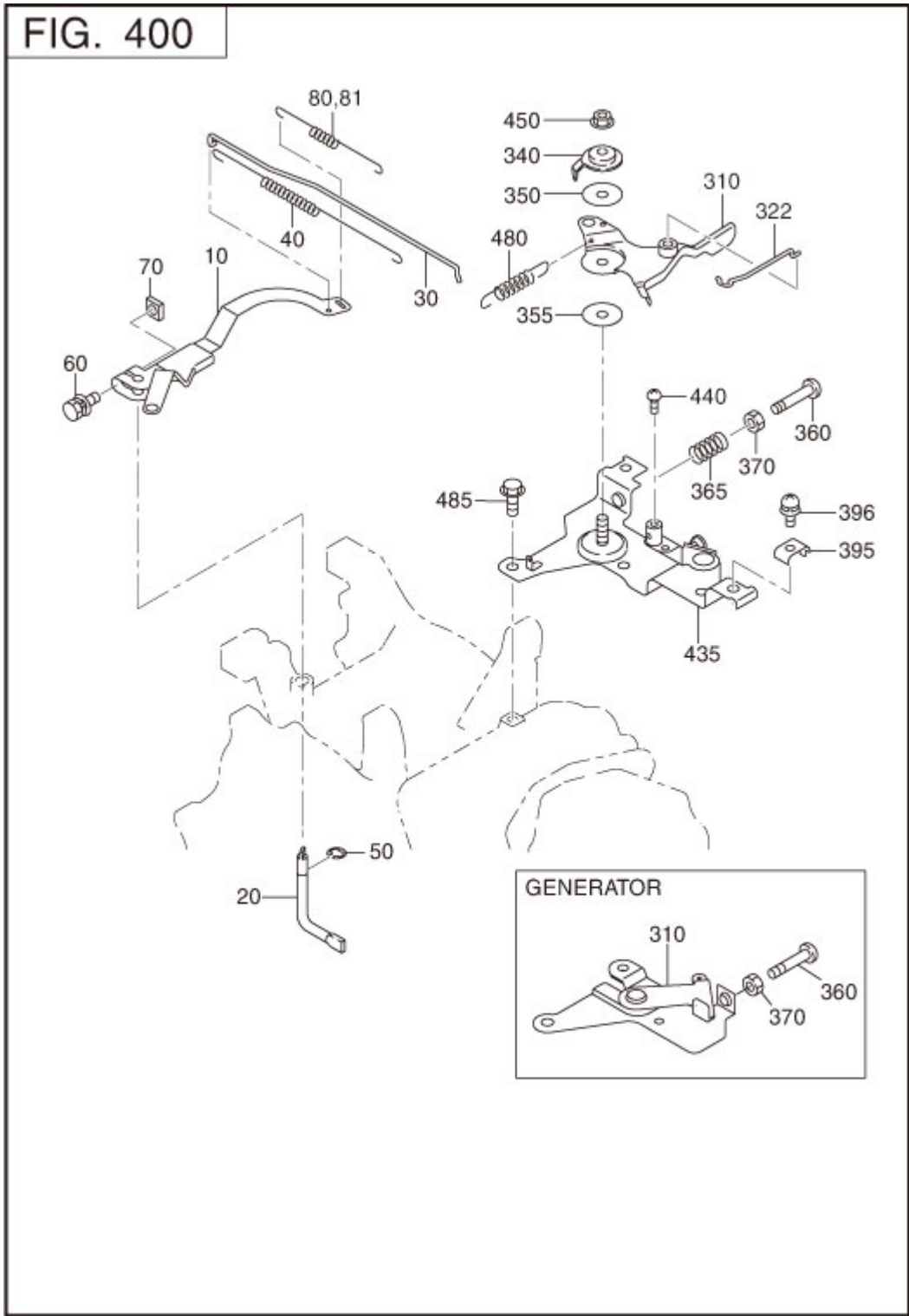
REF.	PART NUMBER	PART NAME	CODE NO.	QTY	REMARKS	INTERCHANGE
290	011-00600-20	FLANGE BOLT	-	1	M6X1.0X14DX12L	
310	279-30101-L1	MUFFLER CP	6972-	1		
	279-30101-K1	MUFFLER CP	6696-6971	1		
	279-30101-J1	MUFFLER CP	6607-6695	1		279-30101-K1
	279-30101-31	MUFFLER CP	-6606	1		
320	279-34201-11	MUFFLER COVER CP	-	1		
340	277-35201-13	GASKET(MUFFLER)	5996-	1	T=0.2 26D 9DX58P	
	277-35201-03	GASKET(MUFFLER)	-5995	1	T=0.2 26D 9DX58P	277-35201-13
350	980-20082-80	FLANGE NUT	-	2		
360	015-20600-90	TAPPING BOLT	-	2	M6X13DX10L	
361	011-00600-10	FLANGE BOLT	-	1	M6X1.0X14DX8L	
365	011-00803-20	FLANGE BOLT	6210-	1	M8X1.25X16DX12L	
	011-00801-50	FLANGE BOLT	-6209	1	M8X1.25X16DX12L	
385	277-37203-H1	SCREEN CP	6179-	1		
	277-37203-01	SCREEN CP	-6178	1		277-37203-H1
387	015-00400-60	TAPPING SCREW	-	2	M4X6L	
540	279-32902-J1	INSULATOR CP	6454-	1	W/GASKET	
	279-32902-H1	INSULATOR CP	-6453	1	W/GASKET	279-32902-J1
560	279-35902-J3	GASKET1(INSULATOR)	6454-	1	T=0.5	
	279-35902-H3	GASKET1(INSULATOR)	-6453	1	T=0.5	279-35902-J3
570	002-38060-00	FLANGE NUT	-	2		
580	001-04062-00	FLANGE BOLT	6118-	1		
	011-00600-50	FLANGE BOLT	-6117	1	M6X1.0X13DX20L	

3 INTAKE EXHAUST



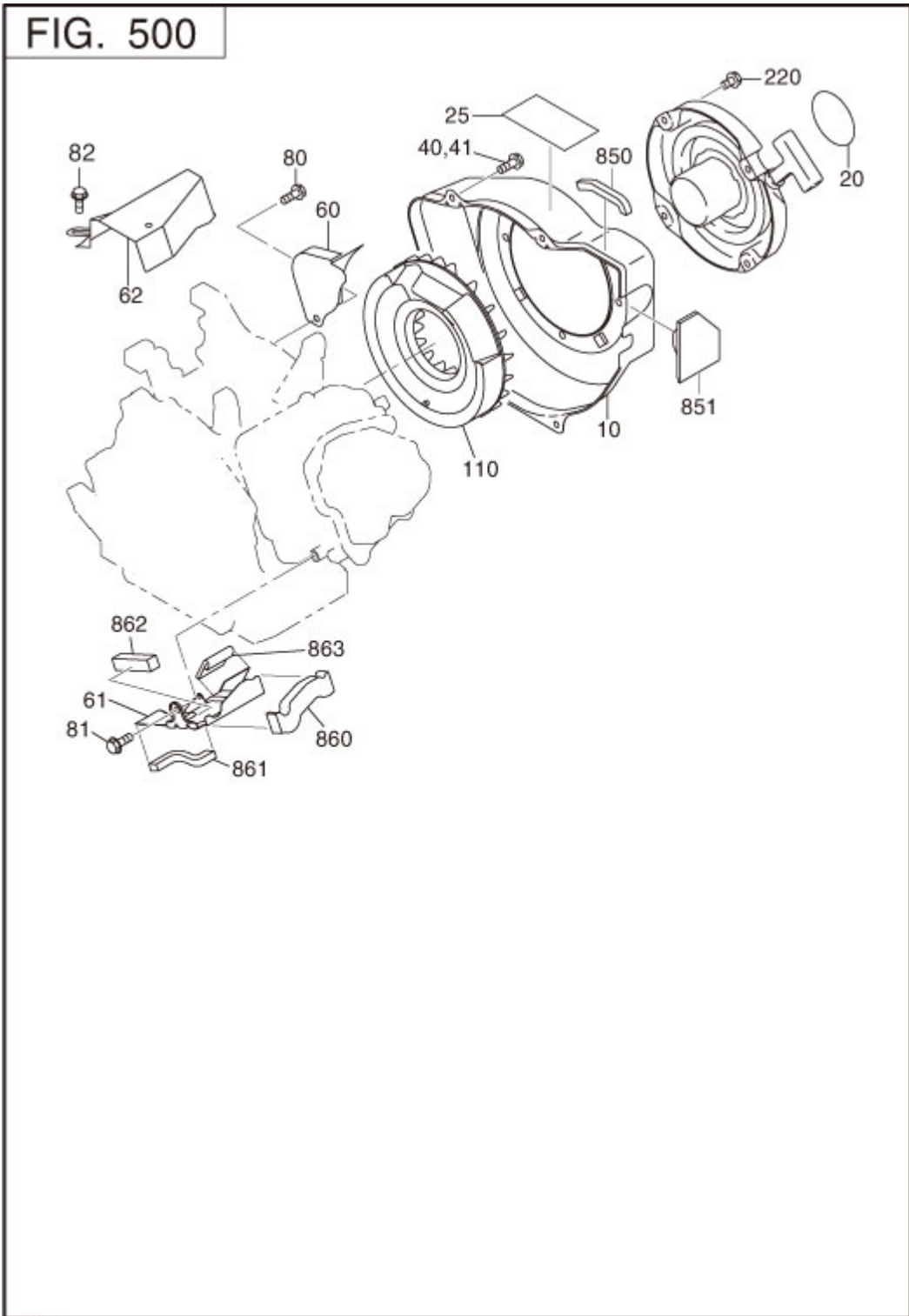
REF.	PART NUMBER	PART NAME	CODE NO.	QTY	REMARKS	INTERCHANGE
510	279-32615-30	AIR CLEANER AY	6696-	1	DUAL	
	279-32615-20	AIR CLEANER AY	6545-6695	1	DUAL	279-32615-30
	279-32615-10	AIR CLEANER AY	6179-6544	1	DUAL	279-32615-20
	279-32615-00	AIR CLEANER AY	5996-6178	1	DUAL	279-32615-10
	279-32612-00	AIR CLEANER AY	-5995	1	DUAL	
-200	279-32634-28	ELBOW COMP,AIR/C	6696-	1		
	279-32634-18	ELBOW COMP,AIR/C	6179-6695	1		
	279-32634-08	ELBOW COMP,AIR/C	5996-6178	1		
	279-32631-08	ELBOW COMP,AIR/C	-5995	1		
-210	279-32720-08	PACKING	-	1		
-220	279-32650-08	GASKET	-	1		
-250	279-32643-18	COVER	6545-	1		
	279-32643-08	COVER	5996-6544	1		
	279-32640-08	COVER	-5995	1		
-260	279-32730-08	LABEL	-	1		
-270	279-32740-08	NUT	5996-	2		
	279-32740-08	NUT	-5995	1		
-280	279-32675-08	WASHER	5996-6544	1		
-520	279-32607-07	ELEMENT SET	-	1	DUAL	

4 GOVERNOR,OPERATION



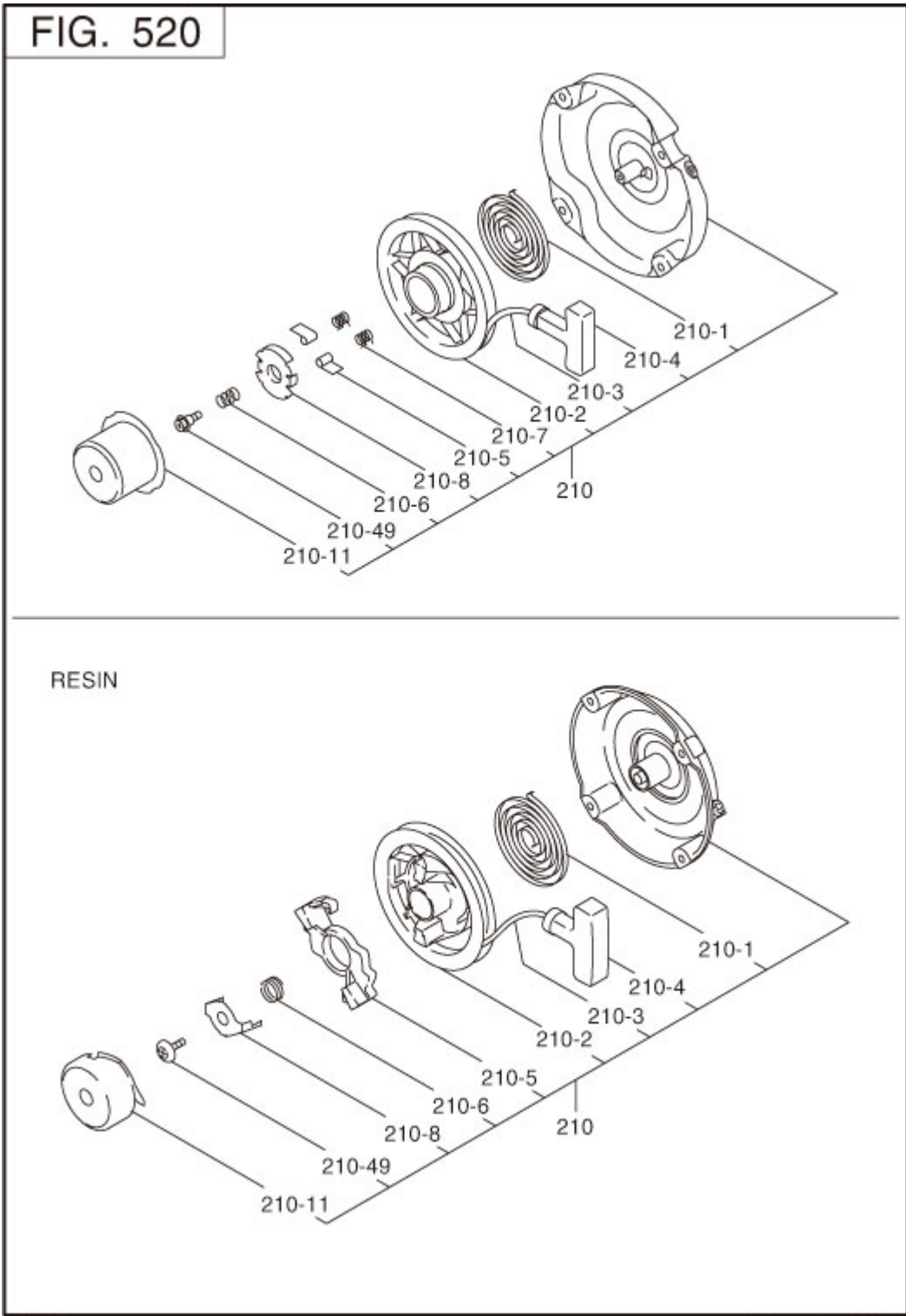
REF.	PART NUMBER	PART NAME	CODE NO.	QTY	REMARKS	INTERCHANGE
10	279-42301-43	GOVERNOR LEVER	6788-	1		
	279-42301-33	GOVERNOR LEVER	6666-6787	1		279-42301-43
	279-42301-23	GOVERNOR LEVER	6088-6665	1		279-42301-33
	279-42301-13	GOVERNOR LEVER	-6087	1		279-42301-23
20	277-42201-33	GOVERNOR SHAFT	-	1		
30	279-42701-11	GOVERNOR ROD CP	6270-	1		
	279-42701-01	GOVERNOR ROD CP	-6269	1		279-42701-11
40	277-42801-23	ROD SPRING	6270-	1	7DX0.5DX182L N=16	
	277-42801-13	ROD SPRING	-6269	1	7DX0.5DX182L N=16	277-42801-23
50	003-13050-00	CLIP	-	1		
60	013-00602-40	BOLT AND WASHER AY	-	1	M6X1.0X25L W/TWO W	
70	018-60600-20	NUT	6666-	1	M6X1.0X4.9H SQUARE	
	018-60600-20	NUT	-6665	1	M6X1.0X4.9H SQUARE	
80	279-42505-33	GOVERNOR SPRING	6179-	1	7.5DX0.7DX115L N=25	
	279-42505-23	GOVERNOR SPRING	-6178	1	9DX0.7DX113L N=18	279-42505-33
310	277-43303-03	SPEED CONTROL LEVER	5996-	1		
	279-43301-13	SPEED CONTROL LEVER	-5995	1		
340	277-43502-03	STOP PLATE	6241-	1		
	277-43501-03	STOP PLATE	-6240	1		277-43502-03
350	277-44501-03	WASHER	6423-	1		
	020-00601-70	WASHER	-6422	1	6DX24DX0.4T	
355	021-70600-70	FRICTION WASHER	-	1	6.5DX24DX0.8T NYLON	
360	004-31062-50	SCREW	5996-	1		
	014-00601-80	SCREW	-5995	1	M6X1.0X35L	
365	237-45004-23	SPRING (ADJUST)	-	1	6.9DX0.9DX20L N=7	
370	002-17060-00	NUT	-5995	1		
435	277-46002-02	SPEED CONT.BRKT UN	5996-	1		
	277-46001-01	SPEED CONT.BRKT CP	-5995	1		
450	002-35060-00	SELF LOCK NUT	-	1		
485	011-00600-20	FLANGE BOLT	-	2	M6X1.0X14DX12L	

5 COOLING,STARTING



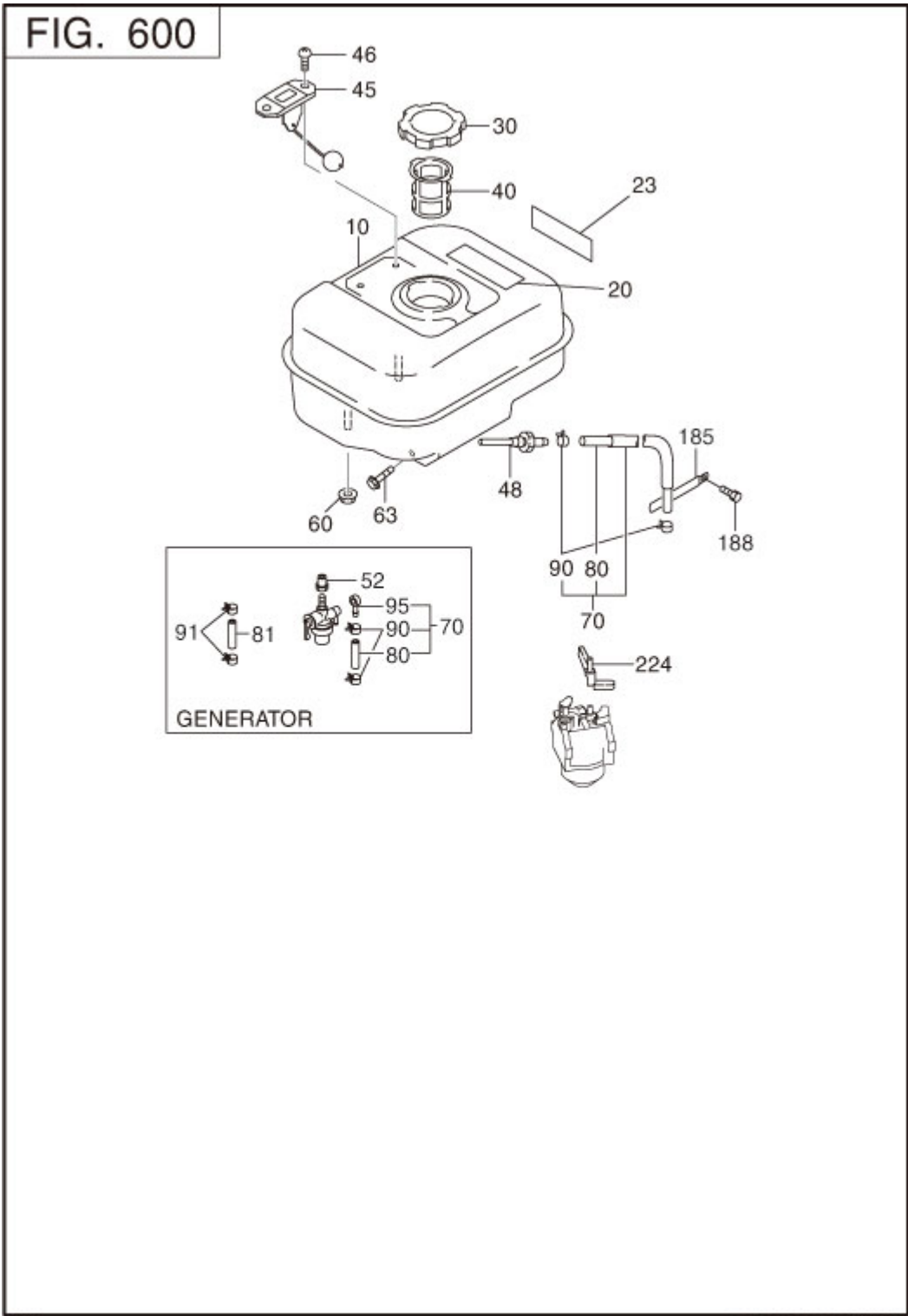
REF.	PART NUMBER	PART NAME	CODE NO.	QTY	REMARKS	INTERCHANGE
10	279-51201-11	BLOWER HOUSING CP	-	1	ROBIN YELLOW	
20	073-20054-70	LABEL(TRADE MARK)	6599-	1	60D	
	073-20051-40	LABEL(TRADE MARK)	-6598	1	64D	073-20054-70
40	011-00600-30	FLANGE BOLT	-	4	M6X1.0X14DX14L	
60	279-52711-11	BAFFLE 1(CASE) CP	-	1		
61	279-52702-13	BAFFLE 2(HEAD)	-	1		
81	011-00600-20	FLANGE BOLT	-	1	M6X1.0X14DX12L	
220	011-00600-10	FLANGE BOLT	-	4	M6X1.0X14DX8L	

5 COOLING,STARTING



REF.	PART NUMBER	PART NAME	CODE NO.	QTY	REMARKS	INTERCHANGE
210	279-50202-00	RECOIL STARTER AY	-	1	170PD	
- 1	226-50716-08	SPIRAL SPRING	-	1		
- 2	279-50120-08	REEL	-	1		
- 3	279-50110-08	STARTER ROPE	-	1		
- 4	226-50701-08	STARTER KNOB	-	1		
- 5	279-50125-08	RACHET	-	2		
- 6	226-50731-08	FRICTION SPRING	-	1		
- 7	226-50752-08	RATCHET SPRING	-	2		
- 8	226-50741-08	FRICTION PLATE	-	1		
- 11	279-50145-08	STARTER PULLEY	-	1		
- 49	226-50753-18	CENTER SCREW	-	1		

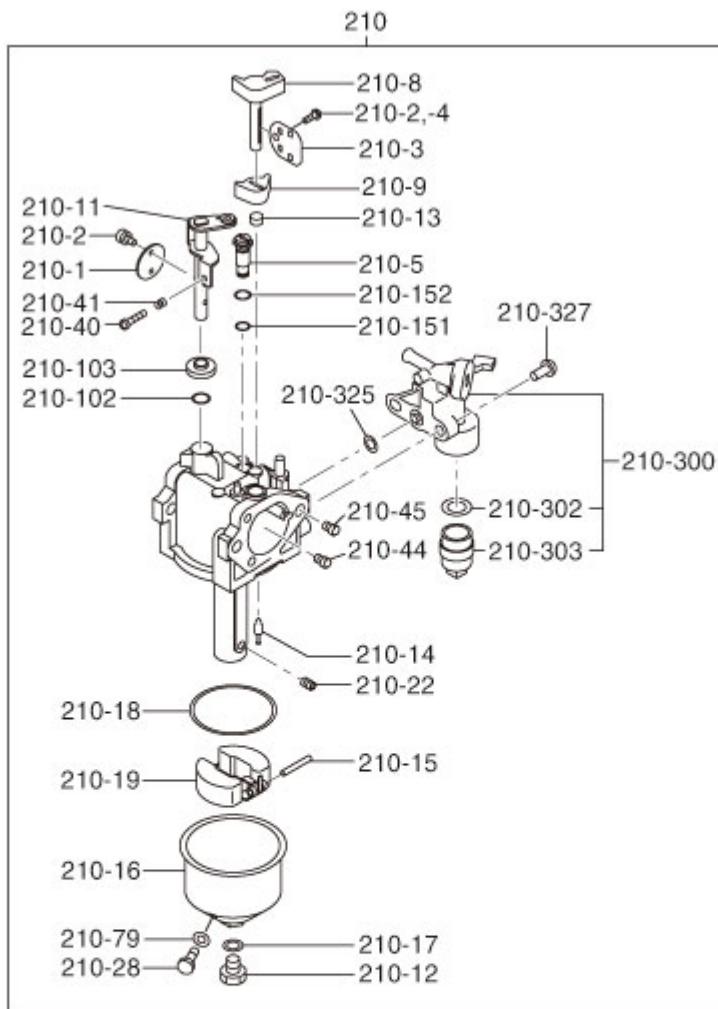
6 FUEL LUBRICANT



REF.	PART NUMBER	PART NAME	CODE NO.	QTY	REMARKS	INTERCHANGE
10	279-60101-21	FUEL TANK CP	-	1	6.1L ROBIN YELLOW	
20	073-20051-81	LABEL(WARNING)	5996-	1	42X104 ENGLISH	
	073-20051-80	LABEL(WARNING)	-5995	1	42X104 ENGLISH	
23	279-95111-03	LABEL(MODEL)	6599-	1	32X125	
	279-95101-03	LABEL(MODEL)	-6598	1	32X125	
30	043-04400-50	FUEL TANK CAP CP	-	1	43DX68DX14H BLACK	
40	X64-13600-10	FUEL FILTER	6362-	1		
	064-13600-10	FUEL FILTER	-6361	1	36DX46DX43H	
48	050-51200-20	UNION	-	1	M12X4DX78L W/FILTER	
60	002-38080-00	FLANGE NUT	-	2		
63	011-00802-50	FLANGE BOLT	-	2	M8X1.25X16DX25L	
70	279-62605-J1	FUEL PIPE CP	6149-	1	6DX11DX195L	
	279-62605-H1	FUEL PIPE CP	-6148	1		
80	X85-10612-70	RUBBER PIPE	-	1	6DX11DX195L	085-19600-00
85	279-64501-H1	GLASS TUBE	-	1	12DX12.9DX145L	
90	X56-11100-20	HOSE CLAMP	6149-	2	10.5DX8BX0.7T	
	X56-11000-30	HOSE CLAMP	-6148	2	10DX8BX0.7T	
224	277-43801-01	CHOKE LEVER CP	-	1		

6 FUEL LUBRICANT

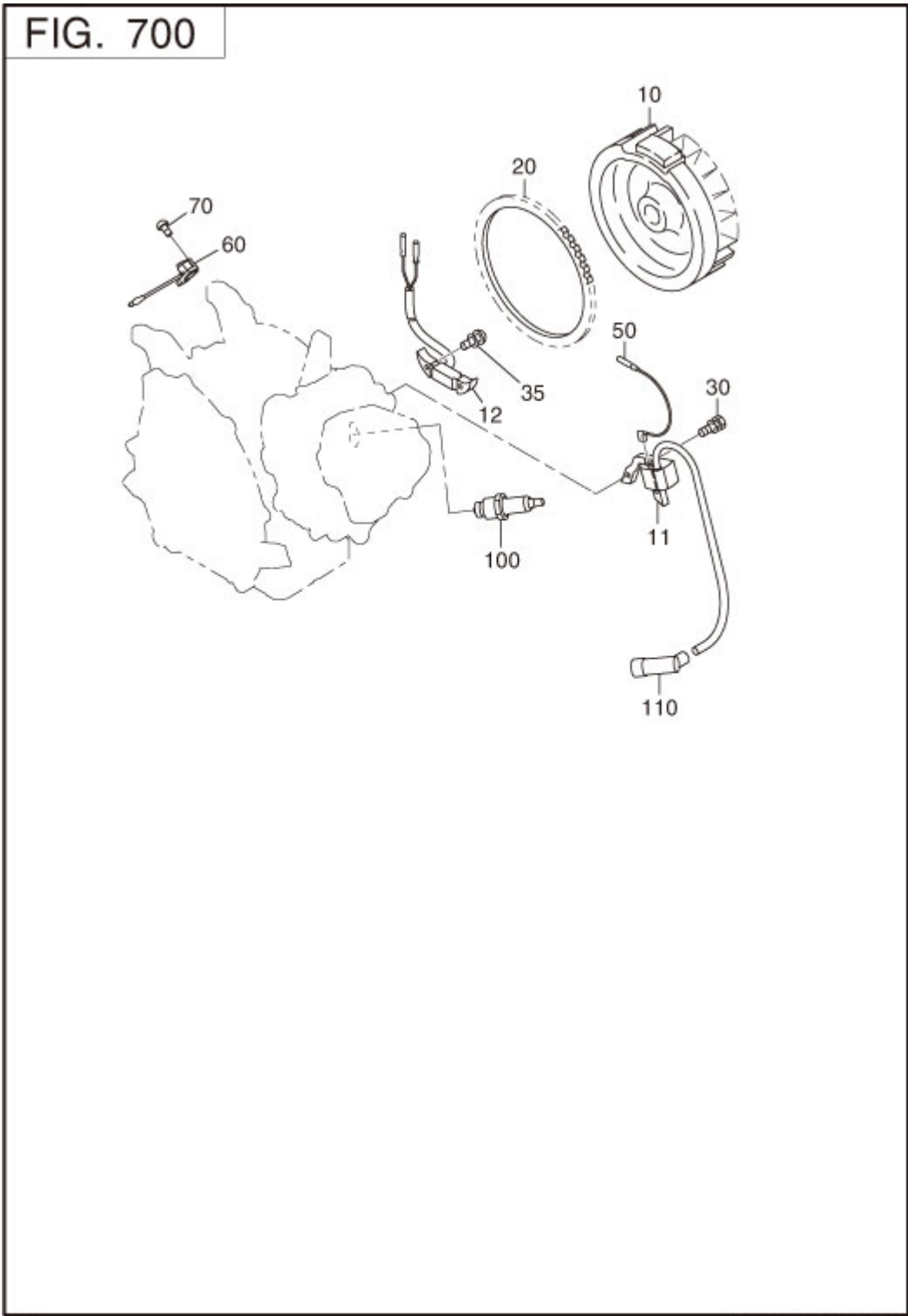
FIG. 640



REF.	PART NUMBER	PART NAME	CODE NO.	QTY	REMARKS	INTERCHANGE
210	279-62302-40	CARBURETOR AY	6837-	1		
	279-62302-30	CARBURETOR AY	6602-6836	1		279-62302-40
	279-62302-20	CARBURETOR AY	6545-6601	1		
	279-62302-10	CARBURETOR AY	-6544	1	SSERVICE NEWS RS-396	
- 1	279-62535-08	VALVE THROTTLE	-	1		
- 2	251-62450-08	SCREW	-	2		
- 3	279-62525-08	VALVE CHOKE	-	1		
- 5	279-62420-08	JET SLOW	-	1	#40	
- 8	279-62520-08	SHAFT CHOKE	-	1		
- 11	279-62530-08	SHAFT SUB ASSY(TH)	-	1		
- 12	251-62453-08	SCREW	-	1		
- 14	279-62500-08	VALVE ASSY NEEDLE	-	1		
- 15	279-62515-08	PIN FLOAT LEVER	-	1		
- 16	285-62550-08	FLOAT CHAMBER SUB AY	6602-	1		
	279-62550-08	CHAMBER FLOAT	-6601	1		
- 17	251-62350-08	GASKET	-	1		
- 18	279-62540-08	GASKET CHAMBER	-	1		
- 19	279-62505-08	FLOAT SUB ASSY	-	1		
- 22	279-62401-08	JET MAIN	-	1	#96	
- 28	285-62551-08	DRAIN SCREW	6602-	1		
	279-62355-08	SCREW DRAIN	-6601	1		
- 40	279-62353-18	SCREW ADJUSTING	-	1		
- 41	279-62445-08	SPRING	-	1		
- 79	285-62552-08	GASKET	6602-	1		
	279-62552-08	GASKET	-6601	1		
-102	279-62561-08	BUSH	-	1		
-103	279-62562-08	COLLAR	-	1		
-151	279-62451-08	O-RING	-	1		
-152	279-62452-08	O-RING	-	1		
-300	279-62103-10	COCK BODY-A	6837-	1		
	279-62103-00	COCK BODY-A	6545-6836	1		
	279-62102-00	FUEL STRAINER AY	-6544	1		
-302	277-62110-18	PACKING	6837-	1		
	277-62110-08	PACKING	6602-6836	1		277-62110-18
	277-62110-18	PACKING	6545-6601	1		

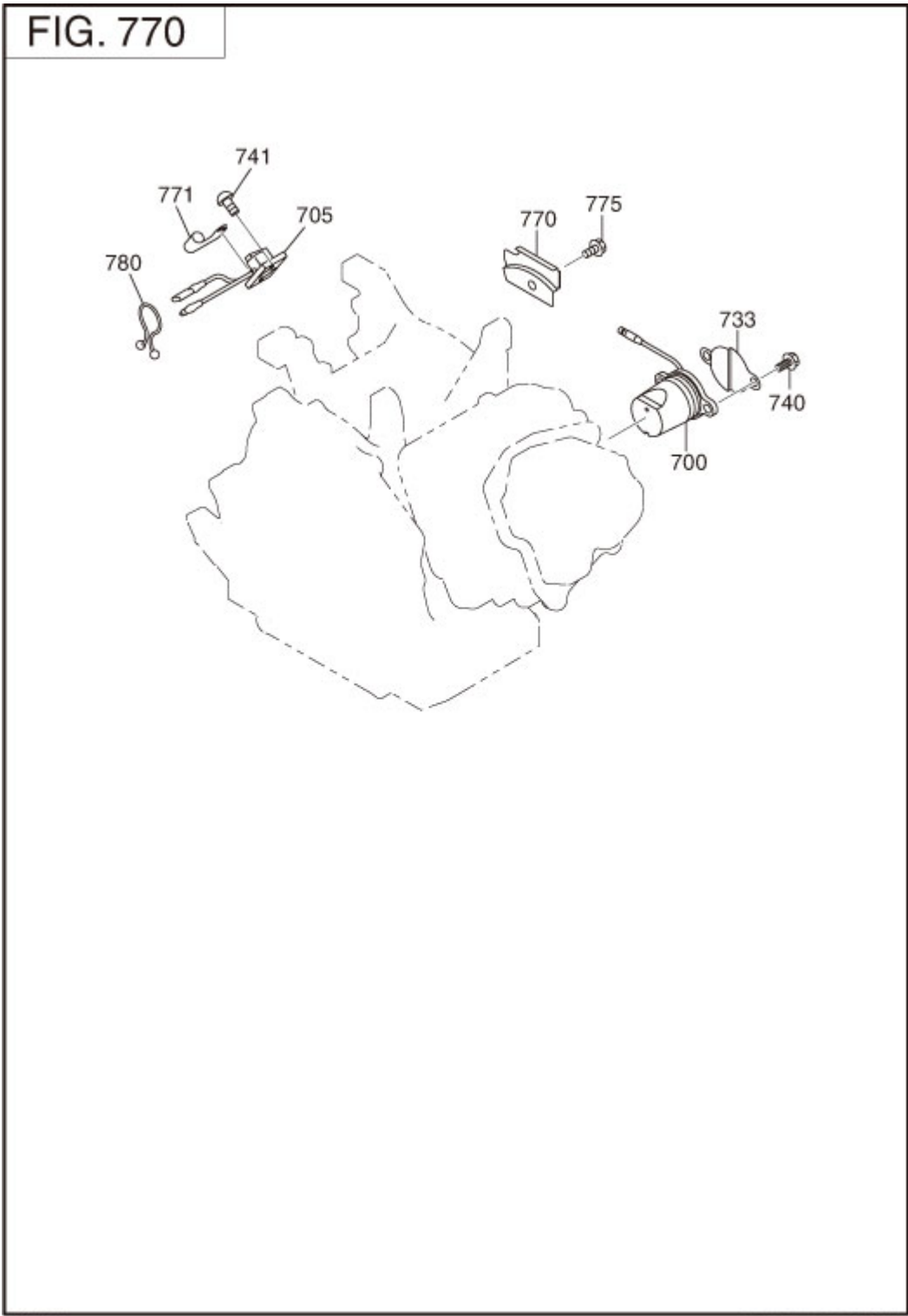
REF.	PART NUMBER	PART NAME	CODE NO.	QTY	REMARKS	INTERCHANGE
	064-20064-10	PACKING	-6544	1		
-303	277-62100-18	CUP	6837-	1		
	277-62100-08	CUP	6602-6836	1		277-62100-18
	277-62100-18	CUP	6545-6601	1		
	064-20078-10	CUP	-6544	1		
-325	006-26100-61	O-RING	6545-	1		
-327	279-62585-08	SCREW	6545-	2		

7 ELECTRIC DEVICE



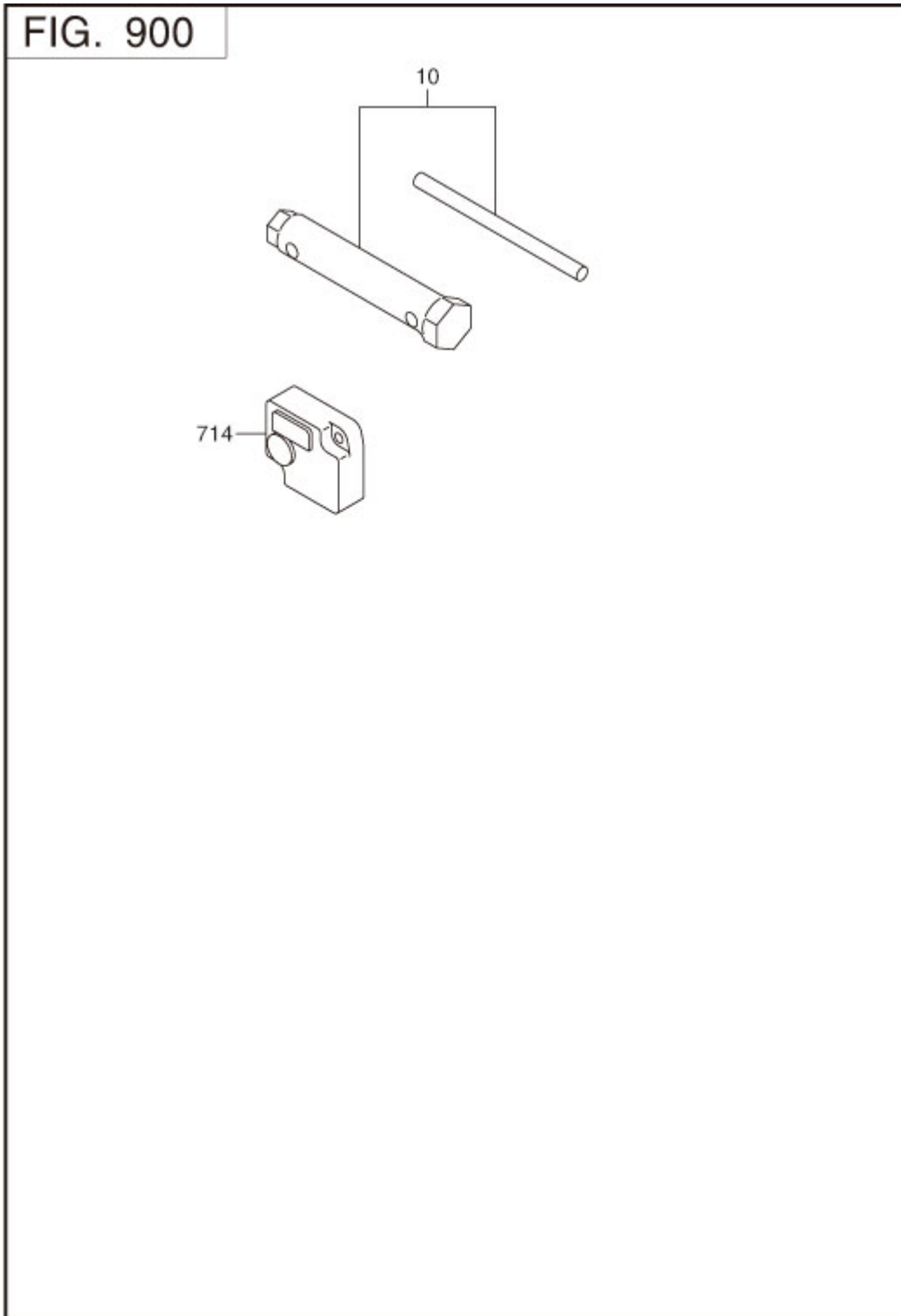
REF.	PART NUMBER	PART NAME	CODE NO.	QTY	REMARKS	INTERCHANGE
10	279-79230-11	FLYWHEEL CP	6880-	1	MARK FA AP02	
	279-79230-01	FLYWHEEL CP	-6879	1	MARK FA AP02	279-79230-11
11	279-79430-01	IGNITION COIL CP	6362-	1	MARK AB	
	279-79430-01	IGNITION COIL CP	-6361	1	MARK AB	
30	001-14062-50	BOLT AND WASHER AY	-	2		
50	277-73102-H1	WIRE 2 CP	-	1	L=360 BLACK	
60	X66-00004-20	SWITCH AY	-	1		
70	015-00400-90	TAPPING SCREW	-	2	M4X12L	
100	065-01401-50	SPARK PLUG	-	1	NGK BR6HS	
110	065-50002-70	SPARK PLUG CAP	6362-	1		
	065-50002-70	SPARK PLUG CAP	-6361	1		

8 ELECTRIC DEVICE



REF.	PART NUMBER	PART NAME	CODE NO.	QTY	REMARKS	INTERCHANGE
700	279-76301-41	OIL SENSOR CP	6683-	1		
	279-76301-31	OIL SENSOR CP	-6682	1		279-76301-41
705	KU3-11043-11	FLOAT C/U CP3	-	1		
740	001-14061-60	BOLT AND WASHER AY	-	2		
741	011-00600-10	FLANGE BOLT	-	1	M6X1.0X14DX8L	
770	279-75501-13	WIRE CLAMP	6627-	1		
	279-75501-03	WIRE CLAMP	-6626	1		
775	015-20600-50	TAPPING BOLT	-	1	M6X13DX10L	

9 ACCESSORIES LABEL



REF.	PART NUMBER	PART NAME	CODE NO.	QTY	REMARKS	INTERCHANGE
10	277-90301-H0	ACCESSORY TOOL KIT	-	1		