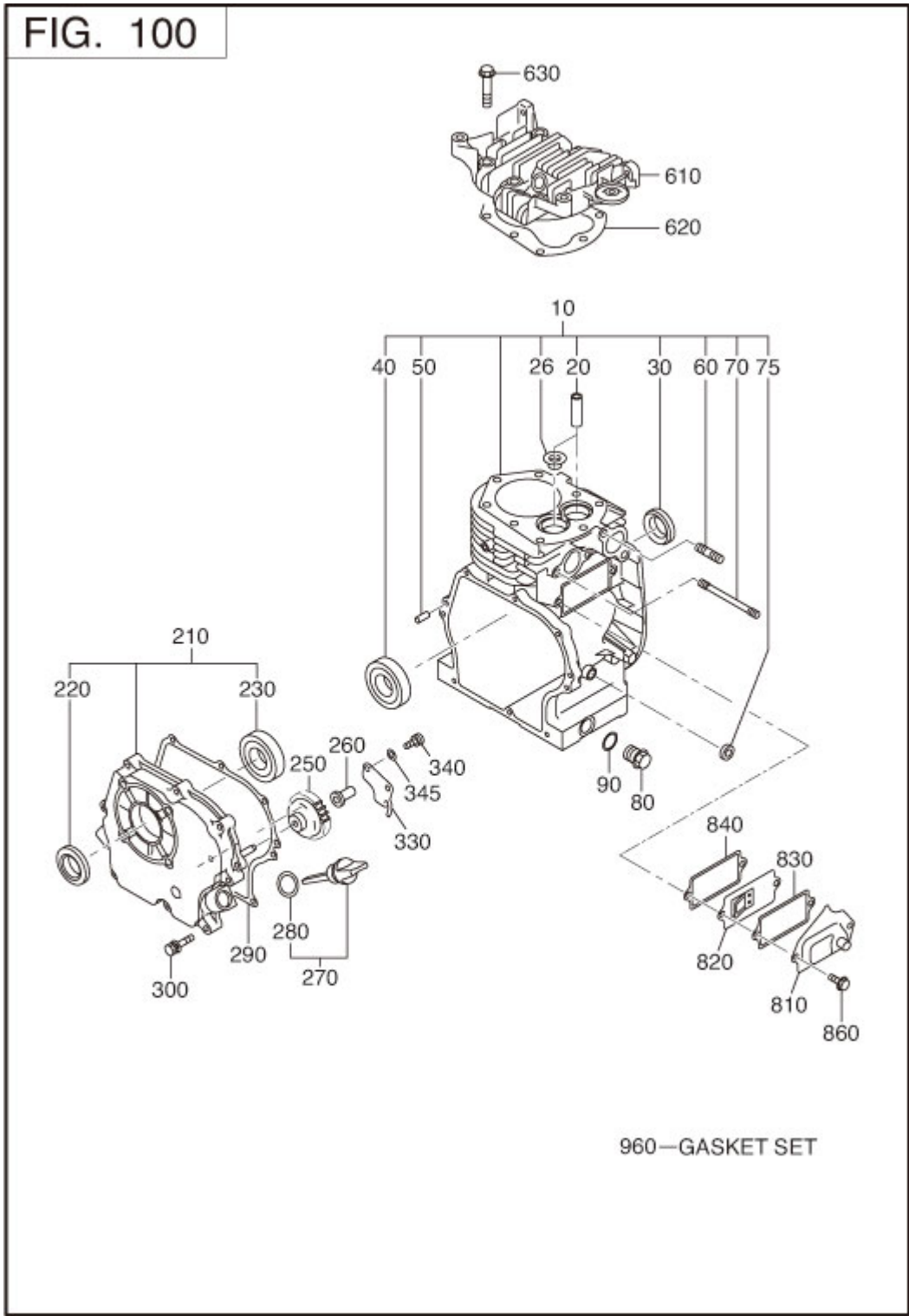
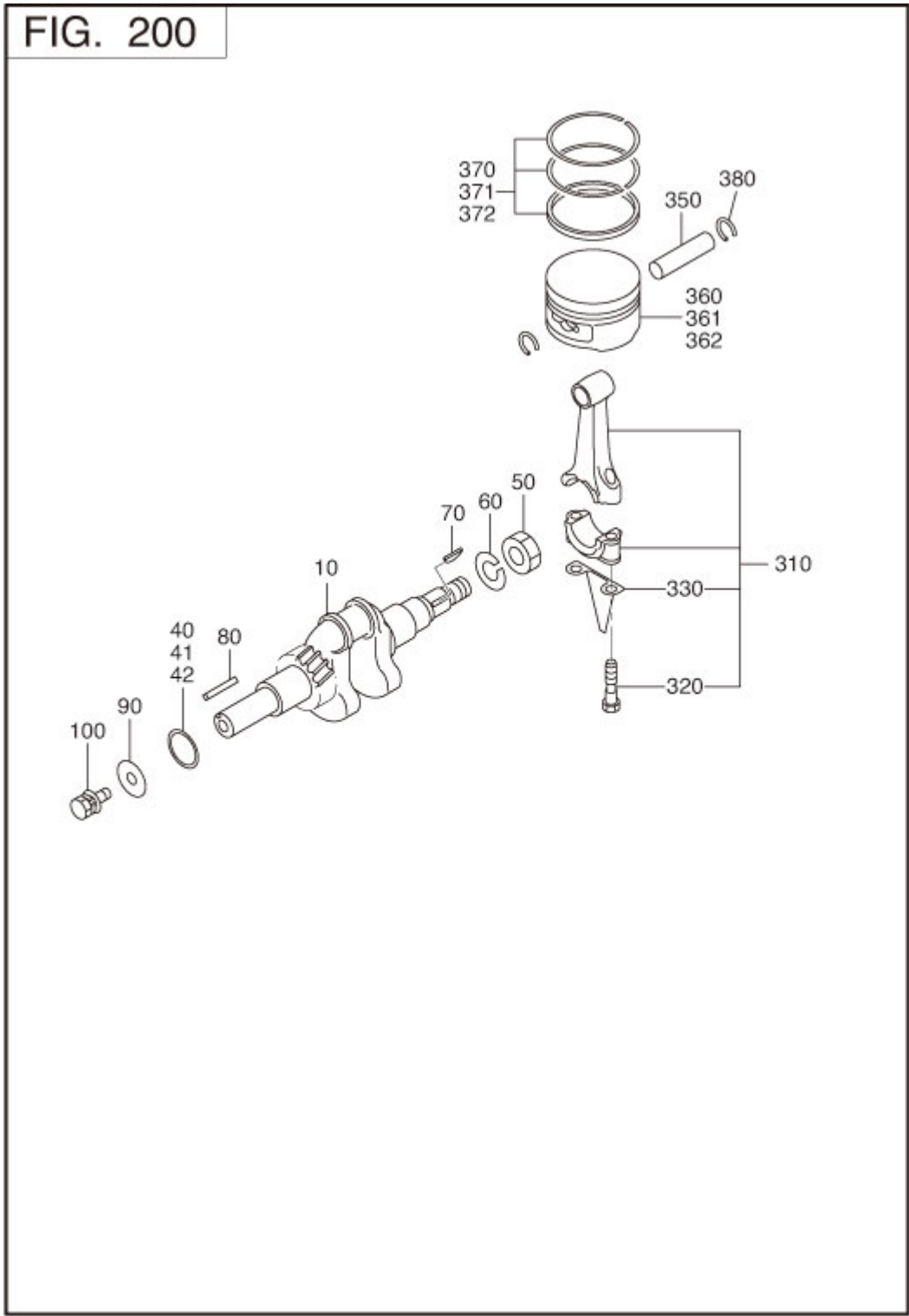


1 CRANK CASE



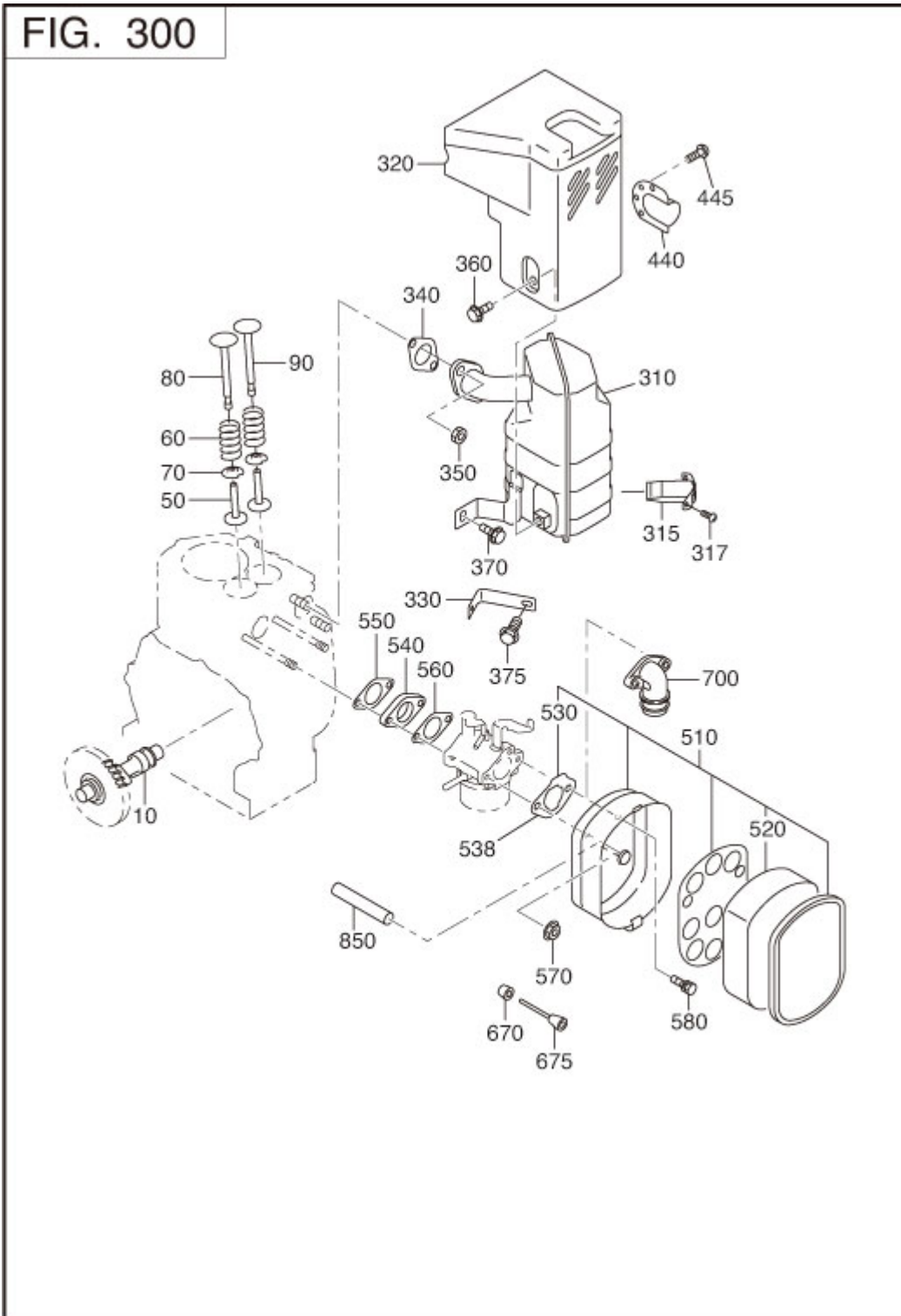
REF.	PART NUMBER	PART NAME	CODE NO.	QTY	REMARKS	INTERCHANGE
10	282-10111-01	CRANK CASE CP	-	1	W/STEM SEAL	
20	227-14202-03	VALEVE GUIDE	-	2	6.5DX11DX35L	
26	282-16301-03	STEM SEAL	-	1	5.7DX14DX24DX10.2T	
30	044-02501-50	OIL SEAL	-	1	25DX38DX7B	
40	X60-02500-10	BALL BEARING	-	1	25DX52DX15B	
50	031-00600-20	DOWEL PIN	-	2	6DX14.5L	
60	010-50802-50	STUD	-	2	M8X1.25X25L	
70	010-50601-20	STUD	-	2	M6X1.0X82L	
75	044-00800-10	OIL SEAL	-	1	8DX14DX4B	
80	040-11400-30	PLUG	-	2	M14X1.5X20DX12L	
90	021-81400-10	SEAL WASHER	-	2	13.8DX20DX1.2T	
210	282-11001-01	MAIN BEARING COVER C	-	1	STD	
220	044-02501-60	OIL SEAL	-	1	25DX41DX7B	
230	X60-02500-10	BALL BEARING	-	1	25DX52DX15B	
250	227-45003-01	GOVERNOR GEAR CP	-	1	52DX26T N=25	
260	205-41901-03	GOVERNOR SLEEVE	-	1	6DX9DX16DX26L	
270	282-63601-H1	OIL GAUGE CP	-	2	M18X1.5,L=59+23	
280	X21-31600-20	GASKET	-	2	16DX23DX1.2T RUBBER	
290	227-16001-03	GASKET (BEARING COV)	-	1	T=0.3	
300	013-00600-40	BOLT AND WASHER AY	-	8	M6X1.0X30L W/SW	
610	227-13001-13	CYLINDER HEAD	-	1		
620	282-15001-01	GASKET CP (HEAD)	-	1	T=1.5	
630	011-00800-10	FLANGE BOLT	-	8	M8X1.25X17DX40L	
810	227-14301-01	TAPPET COVER CP	-	1		
820	227-14401-01	BREATHER PLATE CP	-	1		
830	282-16006-03	GASKET(TAPPET COVER)	-	1	T=0.8	
840	282-16007-23	GASKET(BREATHER PLA)	-	1	T=1.5	
860	011-00600-20	FLANGE BOLT	-	2	M6X1.0X14DX12L	
960	282-99001-17	GASKET SET	-	1		

2 CRANKSHAFT,PISTON



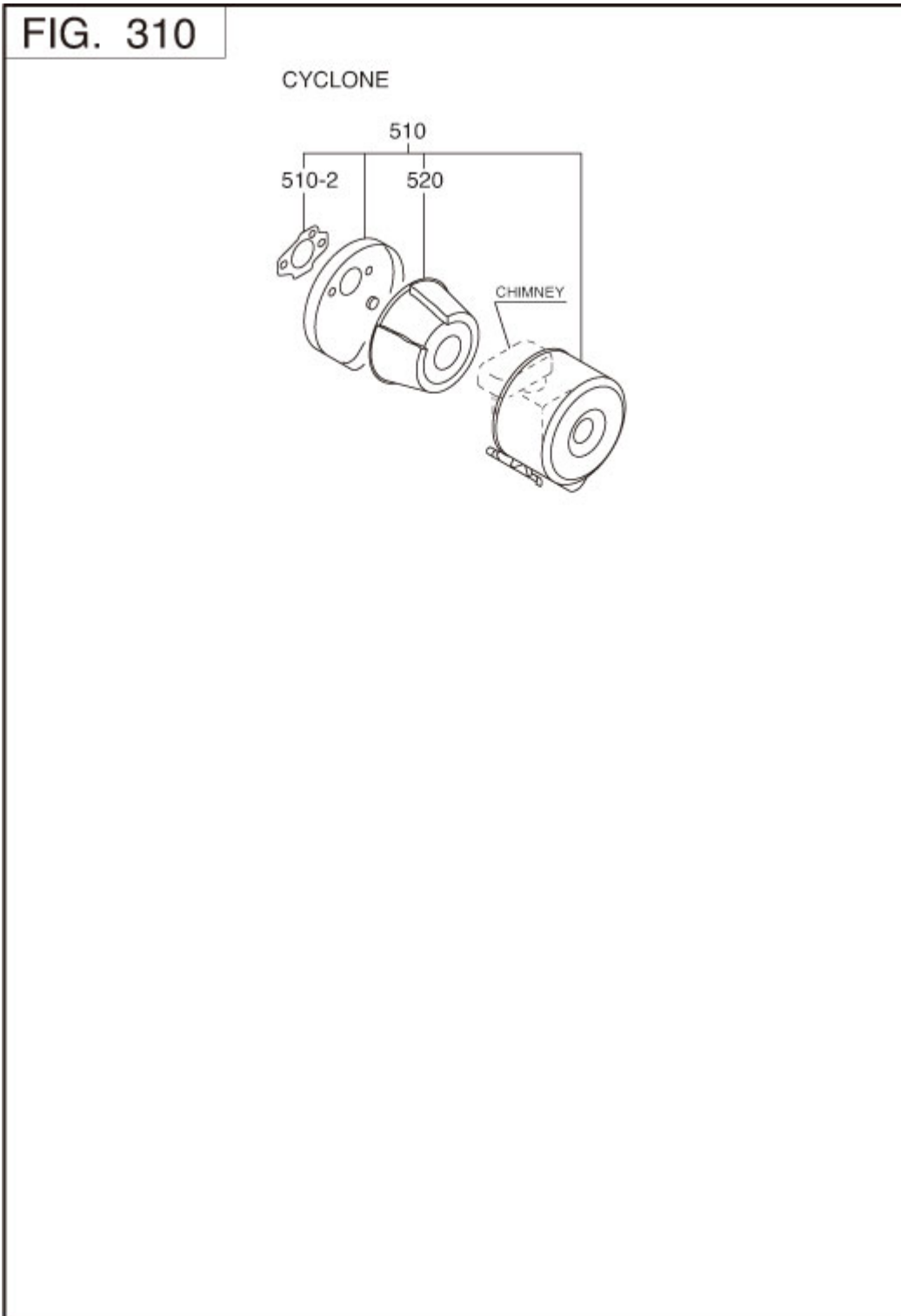
REF.	PART NUMBER	PART NAME	CODE NO.	QTY	REMARKS	INTERCHANGE
10	282-20201-01	CRANKSHAFT CP	-	1	L=253 20DX50L	
40	023-02501-10	SPACER	-	1	25.3DX32DX0.6T	
41	023-02501-20	SPACER	-	1	25.3DX32DX0.8T	
42	023-02501-30	SPACER	-	1	25.3DX32DX1.0T	
50	002-18140-00	NUT	-	1		
60	003-20140-00	SPRING WASHER	-	1		
70	032-30300-10	WOODRUFF KEY	-	1	3BX6HX16D	
80	032-00501-50	KEY	-	1	5BX5HX35L	
90	020-00800-50	WASHER	-	1	8.5DX28DX2.3T	
100	001-13081-60	BOLT & WASHER AY	-	1		
310	227-22501-10	CONNECTING ROD AY	-	1	91CDX24B 26D-14D	
320	227-23001-13	CONNECTING ROD BOLT	-	2	M7X1.0X13.5DX38L	
330	227-23101-03	OIL SCRAPER	-	1		
350	282-23301-03	PISTON PIN	6666-	1	14DX9DX52L	
	214-23301-13	PISTON PIN	-6665	1	14DX9DX52L	282-23301-03
360	282-23411-H3	PISTON	6576-	1	STD (67DX56H)	
	227-23401-03	PISTON	6314-6575	1	STD (67DX56H)	282-23411-H3
	282-23401-03	PISTON	-6313	1	STD (67DX42H)	227-23401-03
361	282-23412-H3	PISTON	6576-	1	0.25 O.S.(67DX56H)	
	227-23402-03	PISTON	6314-6575	1	0.25 O.S.(67DX56H)	282-23412-H3
	282-23402-03	PISTON	-6313	1	0.25 O.S.(67DX42H)	227-23402-03
362	282-23413-H3	PISTON	6576-	1	0.50 O.S.(67DX56H)	
	227-23403-03	PISTON	6314-6575	1	0.50 O.S.(67DX56H)	282-23413-H3
	282-23403-03	PISTON	-6313	1	0.50 O.S.(67DX42H)	227-23403-03
370	282-23511-07	PISTON RING SET	-	1	STD (67D)	
371	282-23512-07	PISTON RING SET	-	1	0.25 O.S.(67D)	
372	282-23513-07	PISTON RING SET	-	1	0.50 O.S.(67D)	
380	056-51400-10	CLIP	-	2	15.3DX1.2D	

3 INTAKE EXHAUST



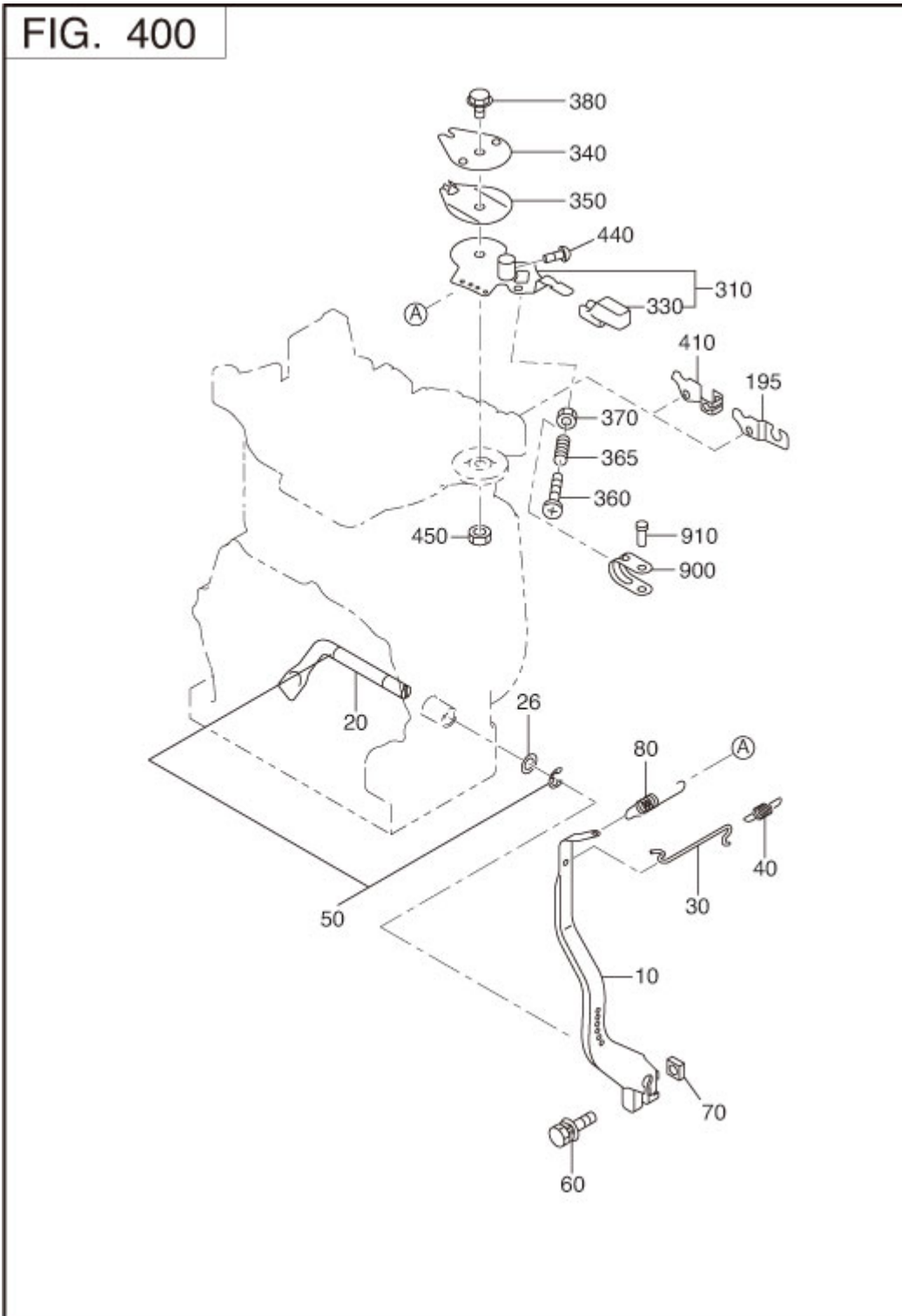
REF.	PART NUMBER	PART NAME	CODE NO.	QTY	REMARKS	INTERCHANGE
10	227-31701-03	CAMSHAFT	-	1	L=113 89DX8B N=44	
50	227-33301-03	TAPPET	-	2	24DX7DX41.7L	
60	227-33601-03	VALVE SPRING	-	2	20DX2.3DX37L N=8	
70	227-33701-03	SPRING RETAINER	-	2	4.4WX22.7DX5.3T	
80	282-33401-03	INTAKE VALVE	-	1	28DX6.5DX85.6L	
90	282-33501-03	EXHAUST VALVE	-	1	24DX6.5DX85.8L	
310	282-30101-N1	MUFFLER CP	6301-	1		
	282-30101-L1	MUFFLER CP	-6300	1		
320	282-34201-J1	MUFFLER COVER CP	6301-	1		
	282-34201-H1	MUFFLER COVER CP	-6300	1		
340	282-35201-01	GASKET CP(EXHAUST)	-	1	T=1.5 29D 8.5DX50P	
350	017-00800-30	NUT	-	2	M8X1.25X6.5H	
360	011-00600-10	FLANGE BOLT	-	3	M6X1.0X14DX8L	
370	011-00600-20	FLANGE BOLT	-	1	M6X1.0X14DX12L	
540	227-32901-13	INSULATOR	-	1	T=7 22D 6.5DX42P	
550	282-35901-03	GASKET(INSULATOR)	-	1	T=0.5 25D 6.5DX42P	
560	227-35904-03	GASKET 2 (INSULATOR)	-	1	T=0.3 22.5D 6.5DX42P	
570	226-39212-00	NUT AND WASHER AY	-	2	M6X1.0X14DX6H W/SW	
580	001-10061-20	BOLT AND WASHER AY	-	1		
850	085-10802-10	RUBBER PIPE	-	1	8DX11DX64L	085-10800-00

3 INTAKE EXHAUST



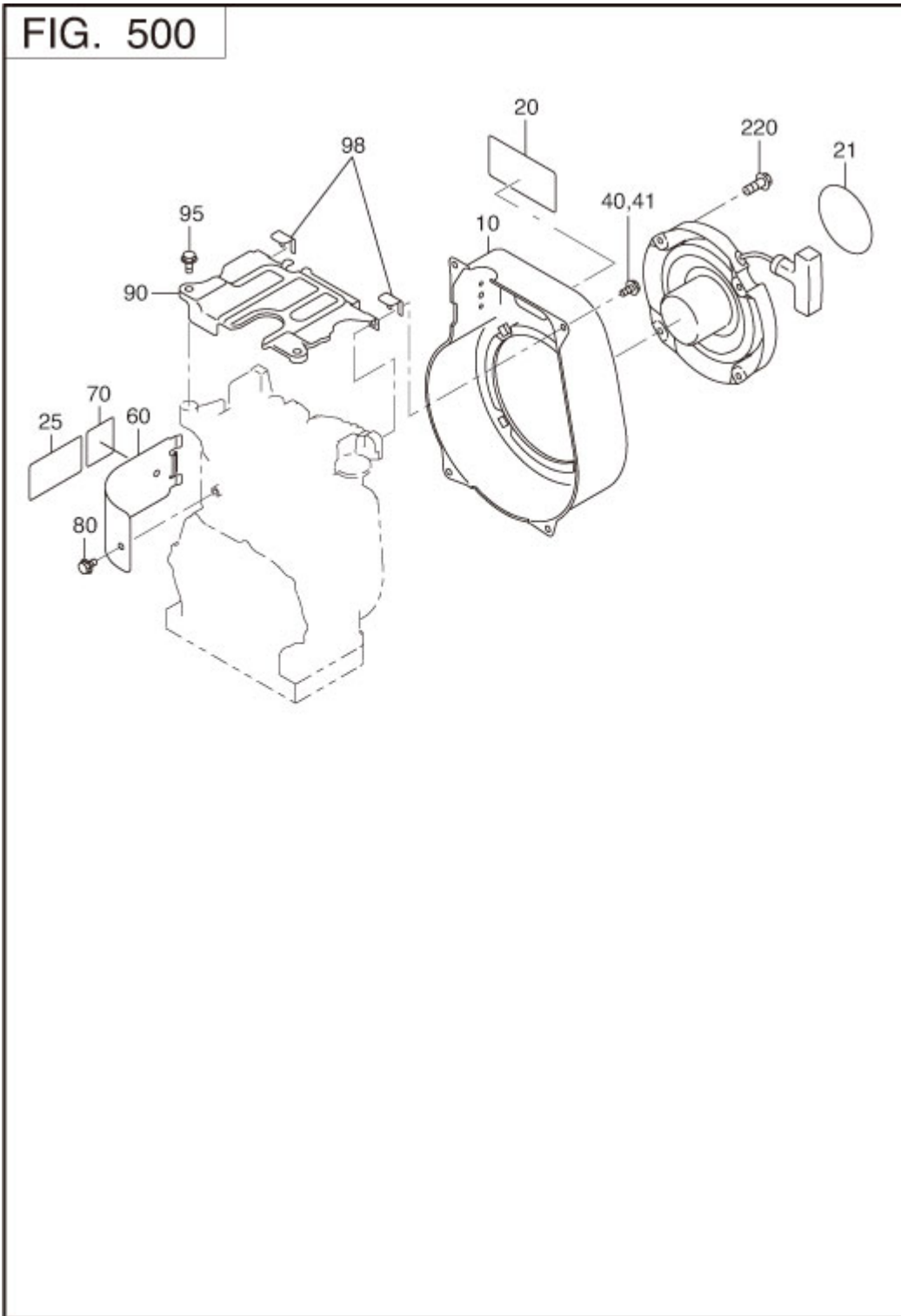
REF.	PART NUMBER	PART NAME	CODE NO.	QTY	REMARKS	INTERCHANGE
510	226-32665-10	AIR CLEANER AY	-	1	CYCLONE CHIMNEY	
- 2	227-36003-13	GASKET(AIR CLEANER)	-	1	T=0.3	
520	226-32660-17	ELEMENT SET	-	1	CYCLONE	

4 GOVERNOR,OPERATION



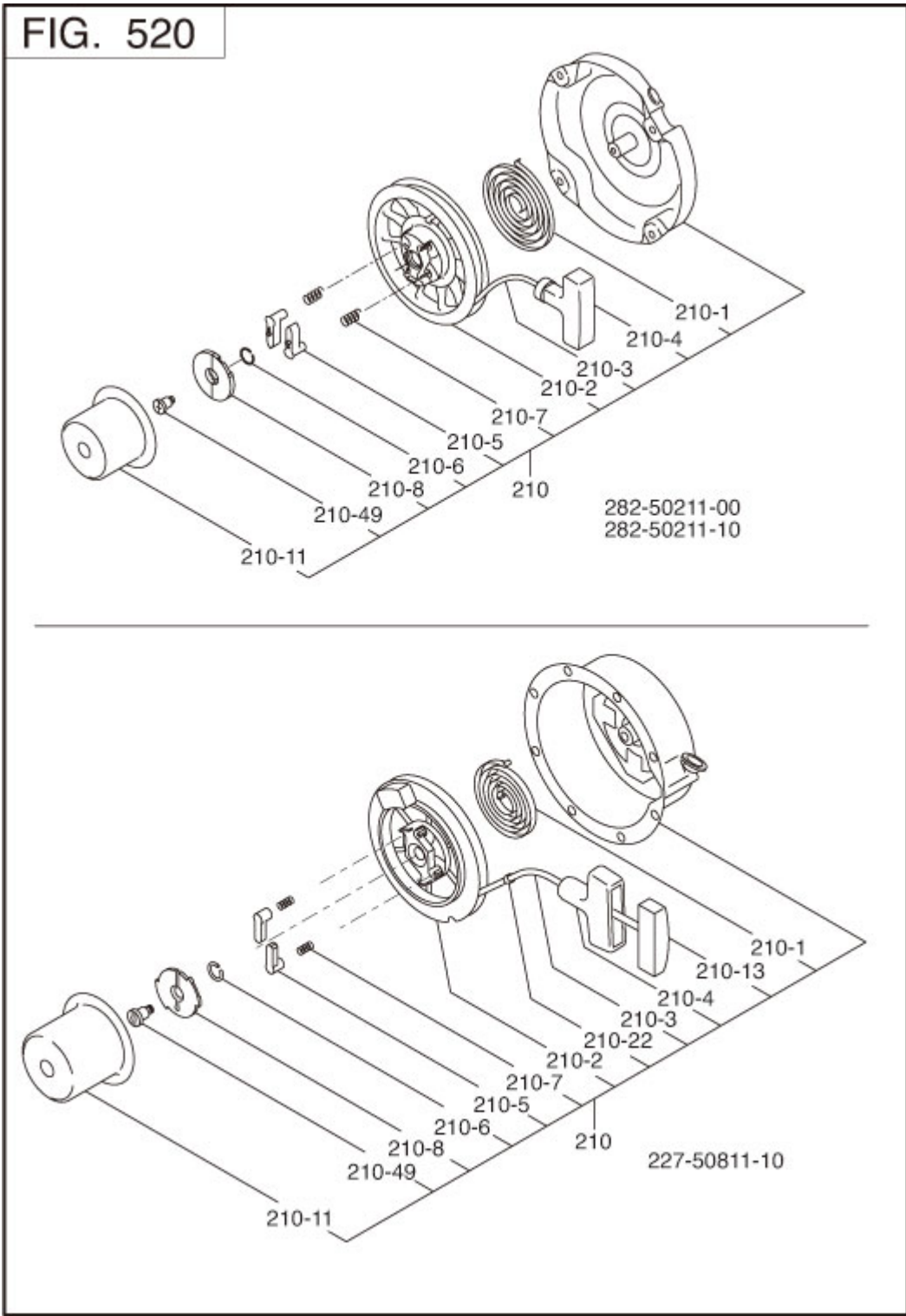
REF.	PART NUMBER	PART NAME	CODE NO.	QTY	REMARKS	INTERCHANGE
10	227-42301-11	GOVERNOR LEVER CP	-	1		
20	227-42201-03	GOVERNOR SHAFT	-	1		
26	003-11080-00	WASHER	-	1		
30	227-42701-01	GOVERNOR ROD	-	1		
40	227-42801-03	ROD SPRING	-	1	6DX0.5DX28L N=16	
50	003-13060-00	CLIP	6314-	2		
60	001-14062-50	BOLT AND WASHER AY	-	1		
70	018-60600-20	NUT	-	1	M6X1.0X4.9H SQUARE	
80	227-42501-13	GOVERNOR SPRING	-	1	7DX0.7DX46L N=17.5	
310	227-43302-20	SPEED CONTROL AY	-	1	W/SWIVEL	
330	227-43601-03	KNOB	-	1		
340	227-43501-13	STOP PLATE	-	1		
350	227-45002-03	SPRING WASHER	-	1		
360	004-31063-00	SCREW	-	1		
370	002-27060-00	NUT	-	1		
380	011-00600-50	FLANGE BOLT	-	1	M6X1.0X13DX20L	
410	227-44203-13	WIRE BRACKET	-	1		
440	004-31040-80	SCREW	-	1		
450	002-27060-00	NUT	-	1		

5 COOLING,STARTING



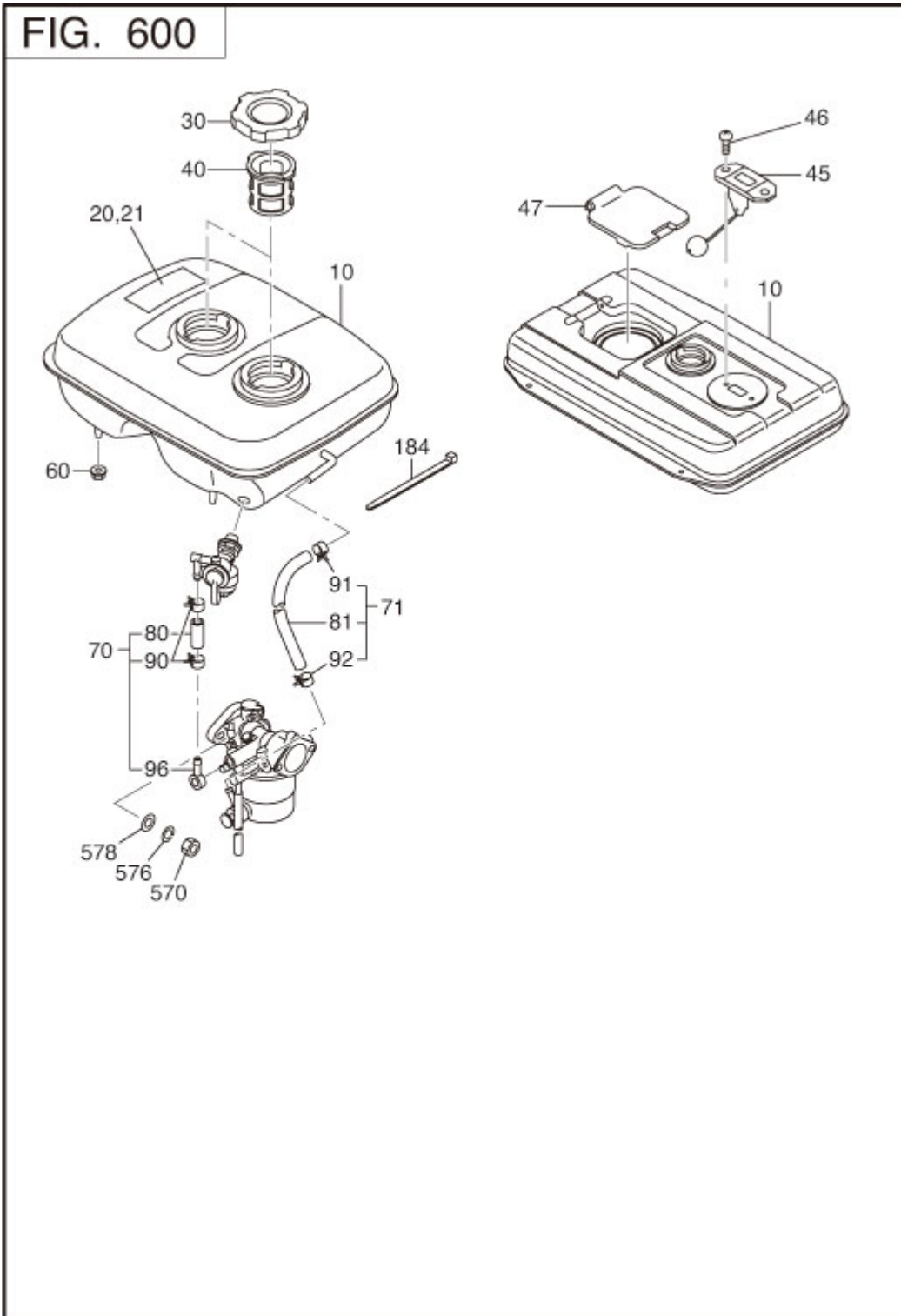
REF.	PART NUMBER	PART NAME	CODE NO.	QTY	REMARKS	INTERCHANGE
10	282-51262-01	BLOWER HOUSING CP	-	1	BLACK	
20	282-95101-13	LABEL(MODEL)	6576-	1	50X95	
	282-95101-03	LABEL(MODEL)	-6575	1	50X95	282-95101-13
21	073-20054-70	LABEL(TRADE MARK)	6607-	1	60D	
	073-20051-40	LABEL(TRADE MARK)	-6606	1	64D	073-20054-70
40	011-00600-30	FLANGE BOLT	-	3	M6X1.0X14DX14L	
41	001-11062-00	BOLT AND WASHER AY	-	1		
60	227-52601-03	CYLINDER BAFFLE	-	1		
70	282-91860-H3	LABEL(ENGINE NAME)	-	1	38X34 ENGLISH	
80	011-00600-10	FLANGE BOLT	-	1	M6X1.0X14DX8L	
90	227-52701-03	HEAD COVER	-	1		
220	011-00600-10	FLANGE BOLT	-	4	M6X1.0X14DX8L	

5 COOLING,STARTING



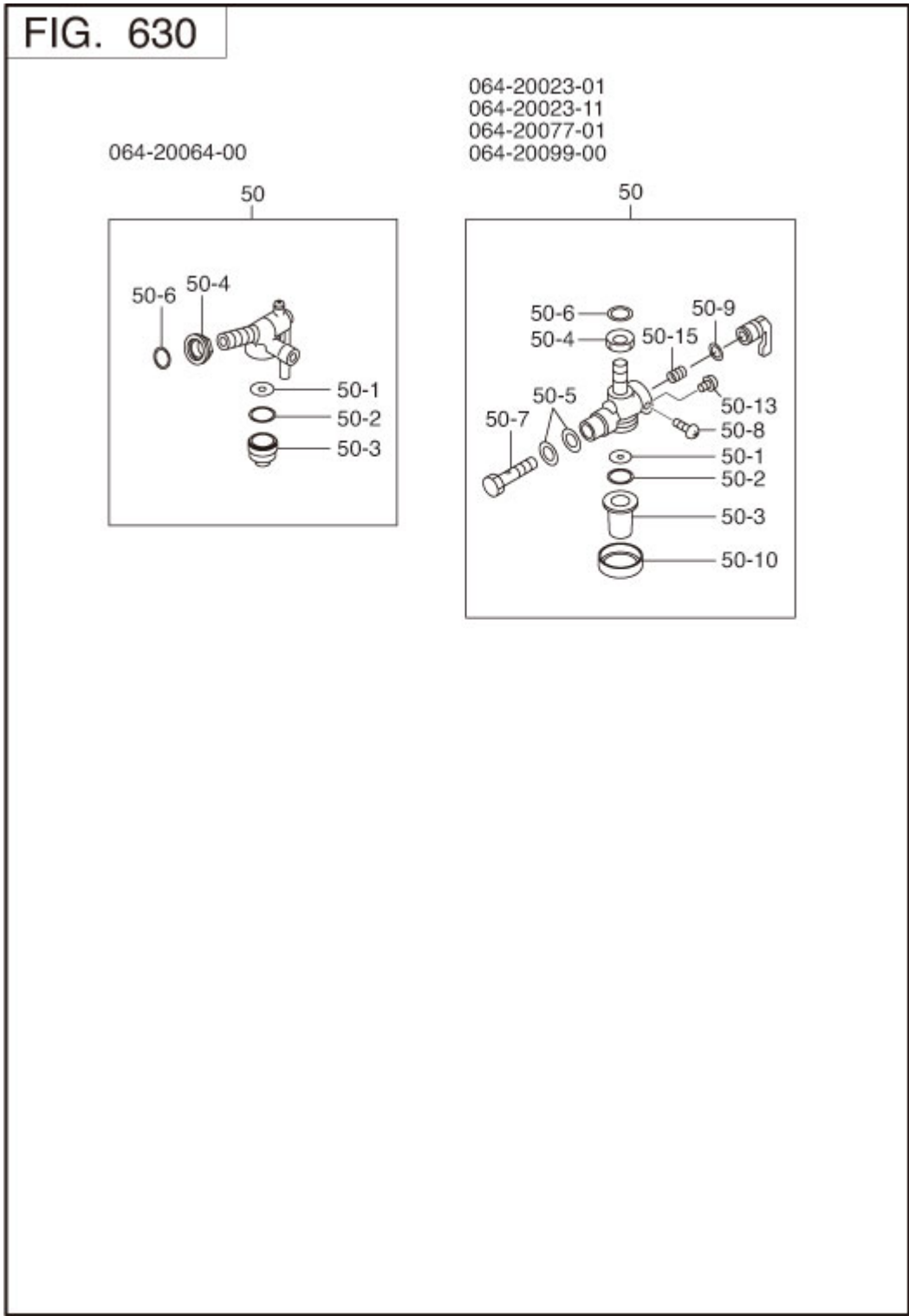
REF.	PART NUMBER	PART NAME	CODE NO.	QTY	REMARKS	INTERCHANGE
210	282-50211-10	RECOIL STARTER AY	5814-	1	D 156PD	
	282-50211-00	RECOIL STARTER AY	-5813	1	D 156PD	282-50211-10
- 1	270-50115-08	SPIRAL SPRING	-	1		
- 2	269-50120-08	REEL	-	1		
- 3	282-50111-18	STARTER ROPE	5814-	1		
	282-50111-08	STARTER ROPE	-5813	1		
- 4	261-50100-08	STARTER KNOB	-	1		
- 5	270-50125-08	RATCHET	-	2		
- 6	227-50131-08	FRICTION SPRING	-	1		
- 7	227-50135-08	RETURN SPRING	-	2		
- 8	270-50261-08	RATCHET GUIDE	-	1		
- 11	269-50145-18	STARTER PULLEY	-	1		
- 49	227-50152-08	SET SCREW	-	1		

6 FUEL LUBRICANT



REF.	PART NUMBER	PART NAME	CODE NO.	QTY	REMARKS	INTERCHANGE
10	282-60211-01	FUEL TANK CP	-	1	3.8L BLACK	
20	073-20051-81	LABEL(WARNING)	-	1	42X104 ENGLISH	
30	043-04400-50	FUEL TANK CAP CP	-	1	43DX68DX14H BLACK	
40	064-13600-10	FUEL FILTER	-	1	36DX46DX43H	
60	002-38060-00	FLANGE NUT	-	2		
70	282-62601-H1	FUEL PIPE CP	-	1	6DX12D(FORMED)	
90	X56-11100-20	HOSE CLAMP	-	2	10.5DX8BX0.7T	
220	226-66002-13	PIPE (AIR VENT)	-	1	4DX8D(FORMED)	

6 FUEL LUBRICANT



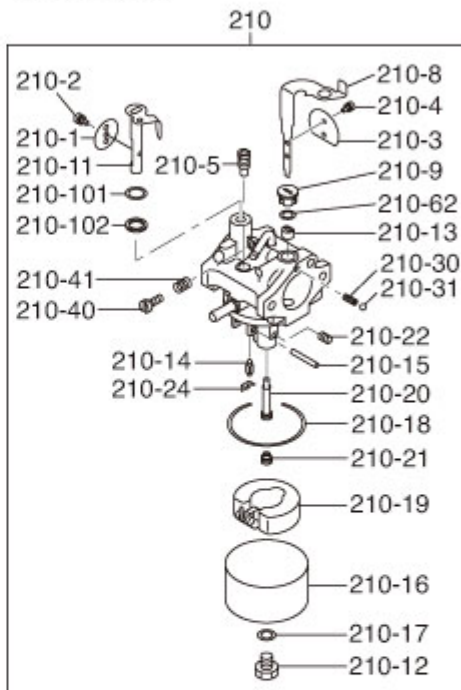
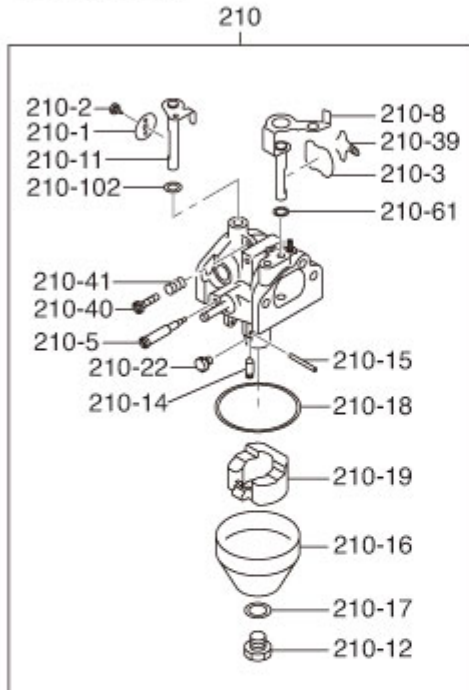
REF.	PART NUMBER	PART NAME	CODE NO.	QTY	REMARKS	INTERCHANGE
50	064-20064-00	FUEL STRAINER AY	-	1		
- 1	064-20064-20	FILTER	-	1		
- 2	064-20064-10	PACKING	-	1		
- 3	064-20042-10	CUP	-	1		
- 4	064-20064-30	NUT	-	1		
- 6	064-20064-40	PACKING	-	1		

6 FUEL LUBRICANT

FIG. 640

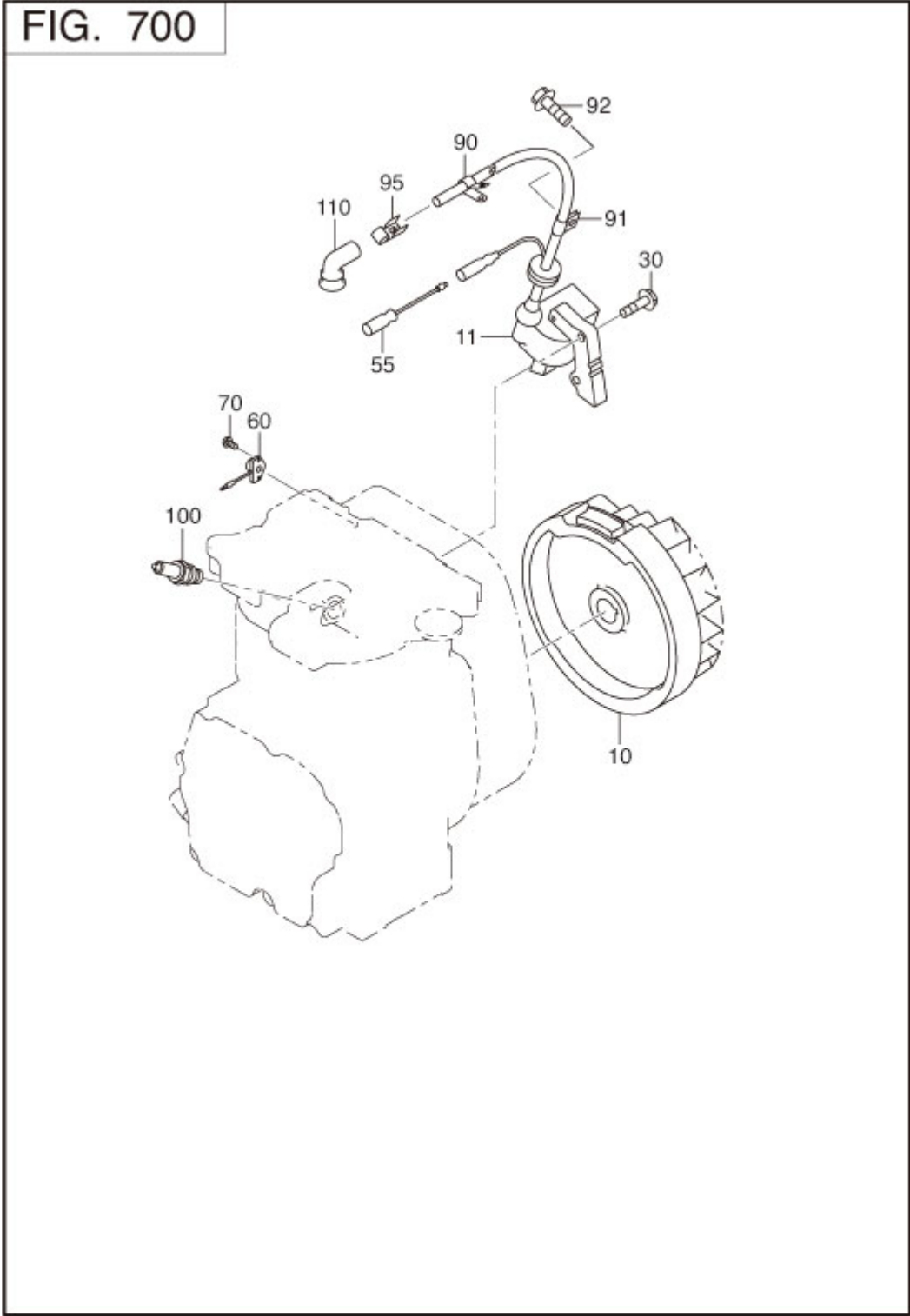
282-62301-10

- 227-62302-20
- 227-62304-10
- 227-62311-10
- 227-62330-20
- 227-62340-00
- 227-62475-00
- 227-62476-00
- 227-62480-00



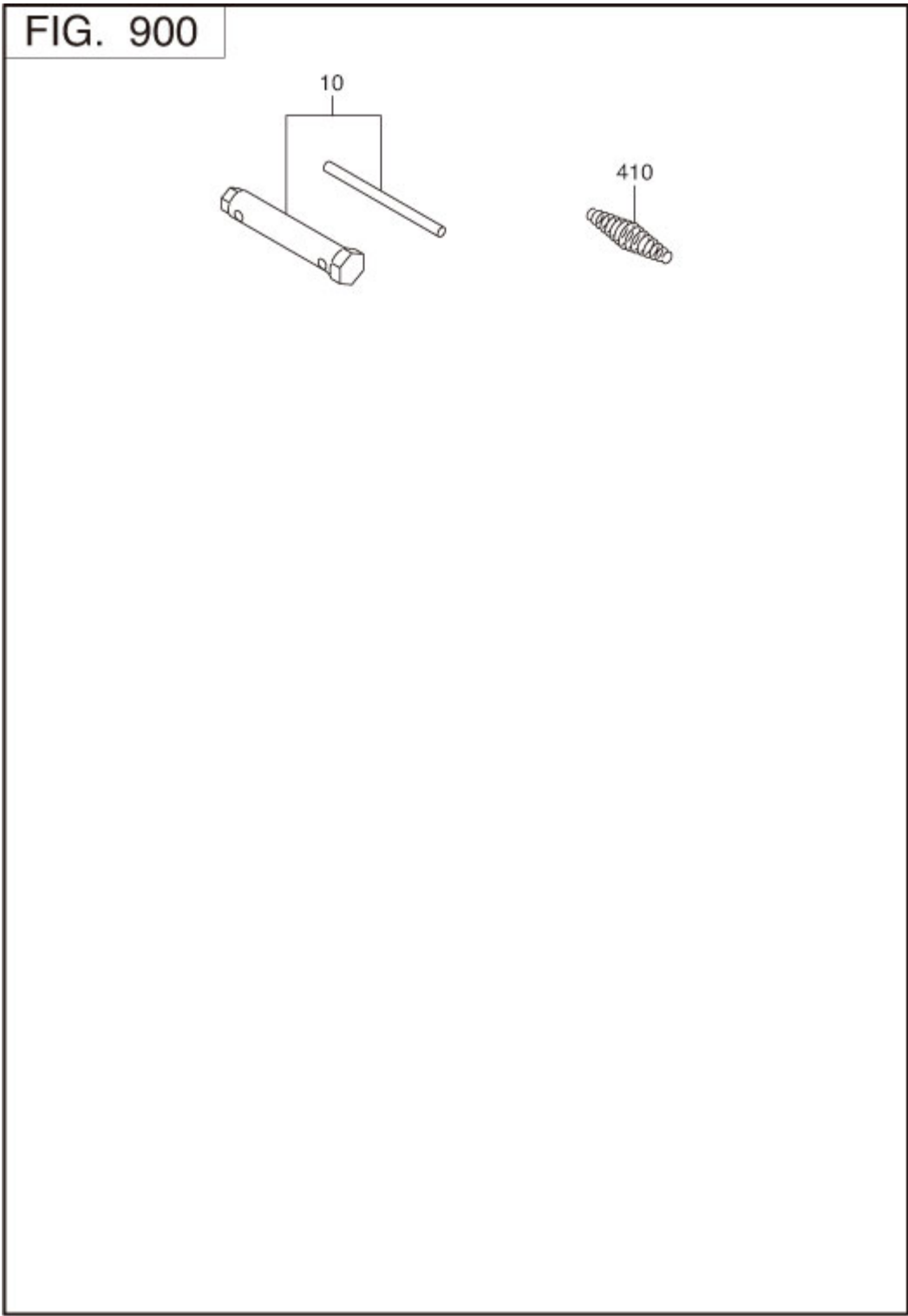
REF.	PART NUMBER	PART NAME	CODE NO.	QTY	REMARKS	INTERCHANGE
210	227-62475-00	CARBURETOR AY	-	1		
- 1	220-62535-08	THROTTLE VALVE	-	1	#170	
- 2	209-62351-08	SCREW	-	1		
- 3	227-62527-08	CHOKE VALVE	-	1		
- 4	237-62451-08	SCREW	-	2		
- 5	227-62422-08	PILOT JET	-	1	#50	
- 8	226-62520-18	SHAFT AY(CHOKE)	-	1		
- 9	226-62551-08	RING	-	1		
- 11	226-62532-08	SHAFT AY(THROTTLE)	-	1		
- 12	227-62451-08	BOLT	-	1		
- 13	226-62550-08	RING	-	1		
- 14	226-62502-08	NEEDLE VALVE AY-HOYO	-	1		
- 15	214-62515-08	PIN	-	1		
- 16	227-62558-08	FLOAT CHAMBER BODY	-	1		
- 17	214-62450-08	PACKING	-	1		
- 18	214-62540-08	CHAMBER PACKING	-	1		
- 19	226-62506-08	FLOAT	-	1		
- 20	227-62443-08	MAIN NOZZLE	-	1		
- 21	227-62441-08	NOZZLE	-	1		
- 22	227-62410-08	MAIN JET	-	1	#75	
- 24	226-62701-18	CLIP	-	1		
- 30	209-62446-08	CHOKE SPRING	-	1		
- 31	209-62353-08	STEEL BALL	-	1		
- 40	209-62352-08	SCREW	-	1		
- 41	209-62445-08	SPRING	-	1		
- 62	227-62559-08	SEAL	-	1		
-101	156-62351-08	PACKING	-	1		
-102	106-62392-08	SEAL	-	1		

7 ELECTRIC DEVICE



REF.	PART NUMBER	PART NAME	CODE NO.	QTY	REMARKS	INTERCHANGE
10	282-79201-11	FLYWHEEL CP	-	1	MARK AP06	
11	282-79401-01	IGNITION COIL CP	-	1	MARK BB	
30	011-00601-21	FLANGE BOLT	-	2	M6X1.0X13.5DX30L	
60	X66-00003-61	SWITCH AY	-	1		
70	015-00400-90	TAPPING SCREW	-	2	M4X12L	
100	065-01402-70	SPARK PLUG	-	1	NGK BPR4HS	
110	065-50000-51	SPARK PLUG CAP	-	1		

9 ACCESSORIES LABEL



REF.	PART NUMBER	PART NAME	CODE NO.	QTY	REMARKS	INTERCHANGE
10	227-90301-10	ACCESSORY TOOL KIT	-	1		
410	226-45002-13	RETURN SPRING	-	1	12-6DX1.2DX56L N=12	