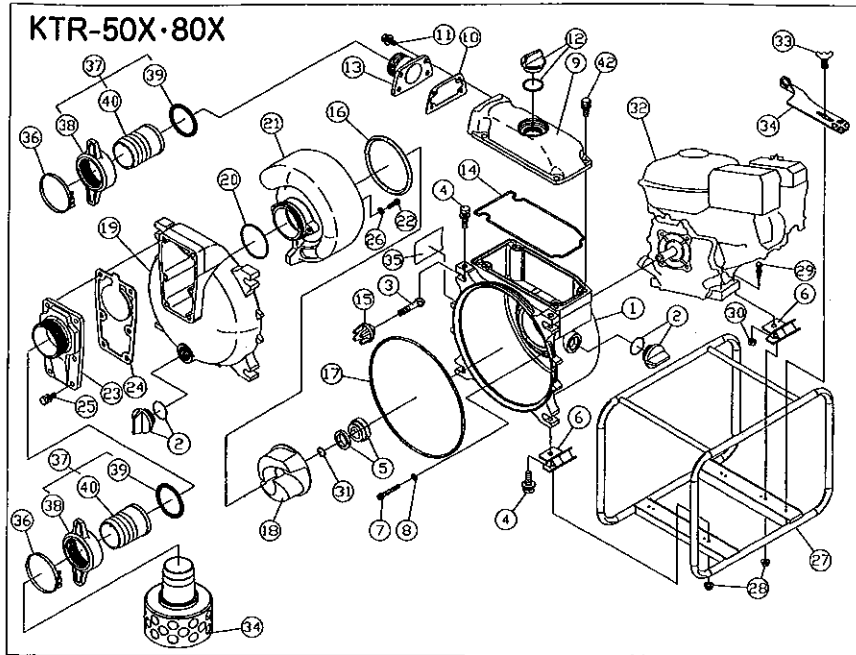


PARTS LIST



No.	PARTS CODE	PARTS NAME	QTY	MATERIAL	SIZE	No.	PARTS CODE	PARTS NAME	QTY	MATERIAL	SIZE
1-1	0115446	PUMP BODY	1	ADC		24-1	0115780	CHECK VALVE PACKING	1	NBR NEO-180	
1-2	0115566					24-2	0115592				
2	0118079	25A PLUG SET	1			25	743119051	HEXAGON BOLT	8	SWRM	M10X25
3	0115590	COVER BOLT	4	SS304		26	854255008	SEAL WASHER	2		Φ8
4	743119063	HEXAGON BOLT	4	SWRM	M12X45	27-1	01171818	BAE BASE SET	1		
5-1	0115159					27-2	01171817				
5-2	0115578	MECHANICAL SEAL	1	EH781-020		28	842319008	SPRING NUT	4	SWRM	M8
6-1	0115879	KTH-BOX CUSHION RUBBER	1			29-1	743119051				M8X35
6-2	0116172	MT CUSHION RUBBER	4	CR		29-2	743119055	HEXAGON BOLT	2	SWRM	M10X35
7-1	0116517	HEXAGON SOCKET BOLT	4	SCM	M8X30	30-1	827419008	HEXAGON NUT	2	SWRM	M8
7-2	0116516				M8X35	30-2	827419010	HEXAGON NUT	2	SWRM	M10
8	0116493	WASHER	4	A110DPH14KALMNR40	Φ8	31-1	0110091	ADJUSTING WASHER	3		
9-1	0115446					31-2	0110091				
9-2	0115547	DELIVERY HOUSING	1	ADC		32-1	0118780	ENGINE	1	ROBIN EX17	
10-1	0115492	DELIVERY FLANGE PACKING	1	CR		32-2	0118784	ROBIN EX270	1		
10-2	0116094					33	741306163	WING BOLT	1	SUS	M8X15
11-1	743119048				M8X22	34-1	0115778	TOOL	1	SPC	
11-2	743119063	HEXAGON BOLT	4	SWRM	M10X30	34-2	0116767				
12	0118450	25A PLUG SET	1			35-1	0118783	NAME PLATE	1		
13	0115840	DELIVERY FLANGE	1	ADC		35-2	0116767				
14	0115548	KTH-BOX HEAD PACKING	1	NBR70		36-1	840407090	HOSE BAND	3		2"
15	0115590	KTH-BOX KNOB	4			36-2	840407090	HOSE BAND	3		3"
16	0115576	KTH-80 CASING PACKING	1	NBR		37-1	0117028	COUPLING SET	2	ABS	
17	0115579	KTH-BOX FRONT COVER PACKING	1	NBR		37-2	0117028				
18-1	0115447	IMPELLER	1	HFPC		38-1	0115390	COUPLING	2	ABS	
18-2	0115558					38-2	0114375				
19	0115545	KTH-BOX FRONT COVER	1	ADC		39-1	0115391	COUPLING PACKING	2	NBR	
20	0115878	O-RING	1	NBR		40-1	0110356	HOSE NIPPLE	2	ABS	
21-1	0115459	VOLUTE CASING	1	FOD		40-2	0115901				
21-2	0115559					41-1	0110977	STRAINER	1	SPC	
22	134905056	HEXAGON SOCKET BOLT	2	SUS	M8X25	41-2	0110578	HEXAGON BOLT	4	SWRM	M10X30
23-1	0115879					42	743119063				
23-2	0115732	SUCTION FLANGE	1	ADC							

NOTE: No.X-1 Refer to KTR-50X
 No.X-2 Refer to KTR-80X
 No.X Interchangeable for both