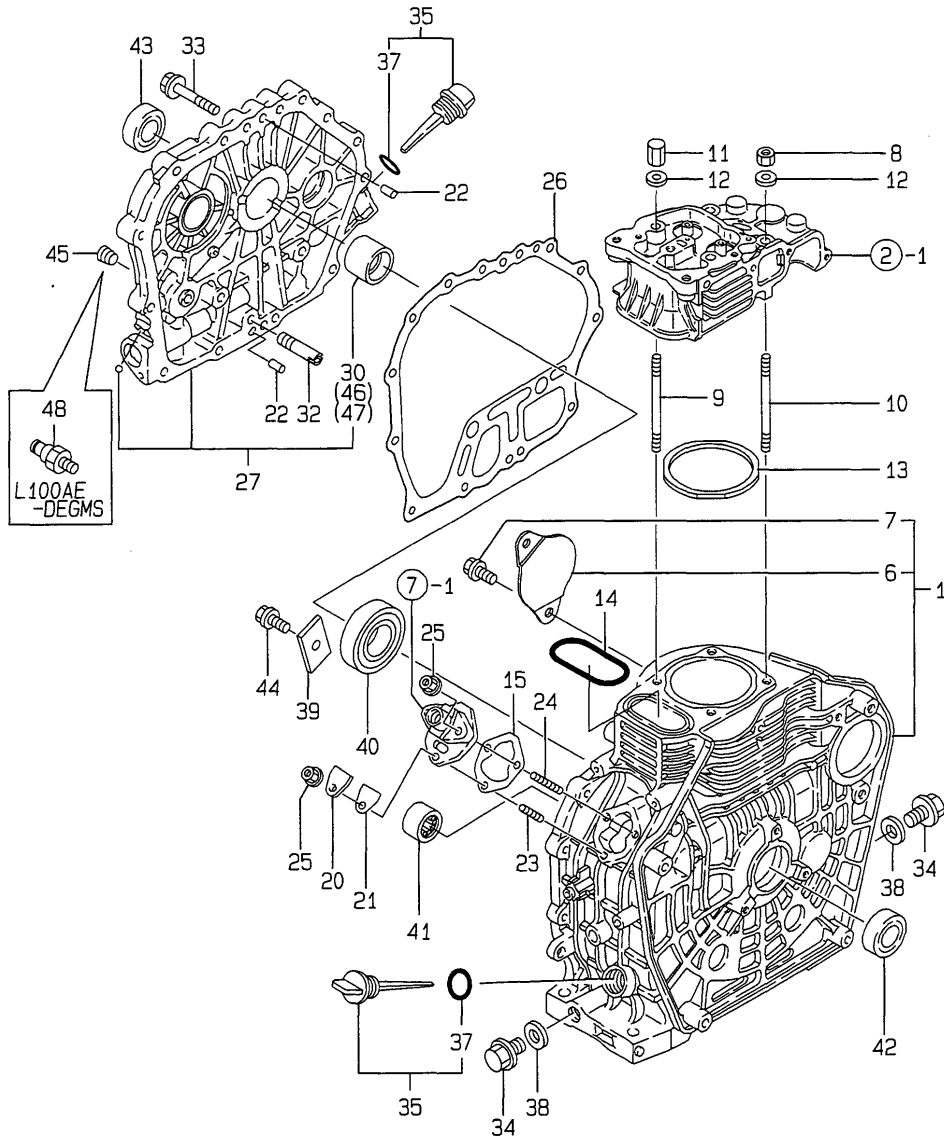


Fig.1. CYLINDER BLOCK

1. CYLINDER BLOCK



Y00V5250 1. CYLINDER BLOCK

(A)=L100AE-DGMS (D)=
 (B)=L100AE-DEGMS (E)=
 (C)= (F)=

REF.	LEV.	PARTS NO.	DESCRIPTION	QTY						I	R
				(A)	(B)	(C)	(D)	(E)	(F)		
1	1	714970-01560	BLOCK ASSY, CYLINDER	1	1						
6	2	114350-01700	COVER, STARTER	1	1						
7	2	26106-100122	BOLT M10X 12 PLATED	2	2						
8	1	105025-01220	NUT 10	2	2						
9	1	114650-01230	STUD, CYL. HEAD	2	2						
10	1	114650-01240	STUD, CYL. HEAD	2	2						
11	1	114650-01250	NUT 10	2	2						
12	1	114650-01260	WASHER	4	4						
13	1	114970-01340	GASKET, CYL. HEAD	1	1						G
14	1	114650-01380	O-RING	1	1						G
15	1	114250-01800	SHIM SET	1	1						
20	1	114250-01830	COVER, INSPEC.WINDOW	1	1						
21	1	114250-01841	GASKET	1	1						G
22	1	114270-01600	PARALLEL PIN 8X12	2	2						
23	1	26226-060182	STUD M 6X 18 PLATED	1	1						
24	1	26226-060222	STUD M 6X 22 PLATED	2	2						
25	1	26366-060002	NUT M 6	3	3						
26	1	114650-01412	GASKET, CRANK CASE	1	1						G
27	1	114660-01471	COVER (D),CRANK CASE	1	1						
30	2	114650-02100	BEARING, MAIN	1	1						1
32	1	114250-35150	PIPE, L.O. INLET	1	1						
33	1	26106-080352	BOLT M 8X 35 PLATED	16	16						
34	1	105425-01690	PLUG M16	2	2						
35	1	160910-01740	CAP, W/LUB.OIL GAUGE	2	2						
37	2	24311-000180	O-RING 1A P-18.0	2	2						G
38	1	22190-160002	SEAL WASHER 16S	2	2						G
39	1	114250-02030	RETAINER, BEARING	1	1						
40	1	114650-02150	BALL BEARING	1	1						
41	1	24162-152112	NEEDLE BEARING	1	1						
42	1	24423-355008	SEAL, OIL	1	1						
43	1	24423-355008	SEAL, OIL	1	1						
44	1	26106-080122	BOLT M 8X 12 PLATED	1	1						
45	1	23871-010000	PLUG PT1/8,SCREW	1							
46	1	114650-02200	MAIN BEARING US=0.25	1	1						2
47	1	114650-02210	MAIN BEARING US=0.50	1	1						3
48	1	183250-39450	SENDER, OIL PRESSURE		1						

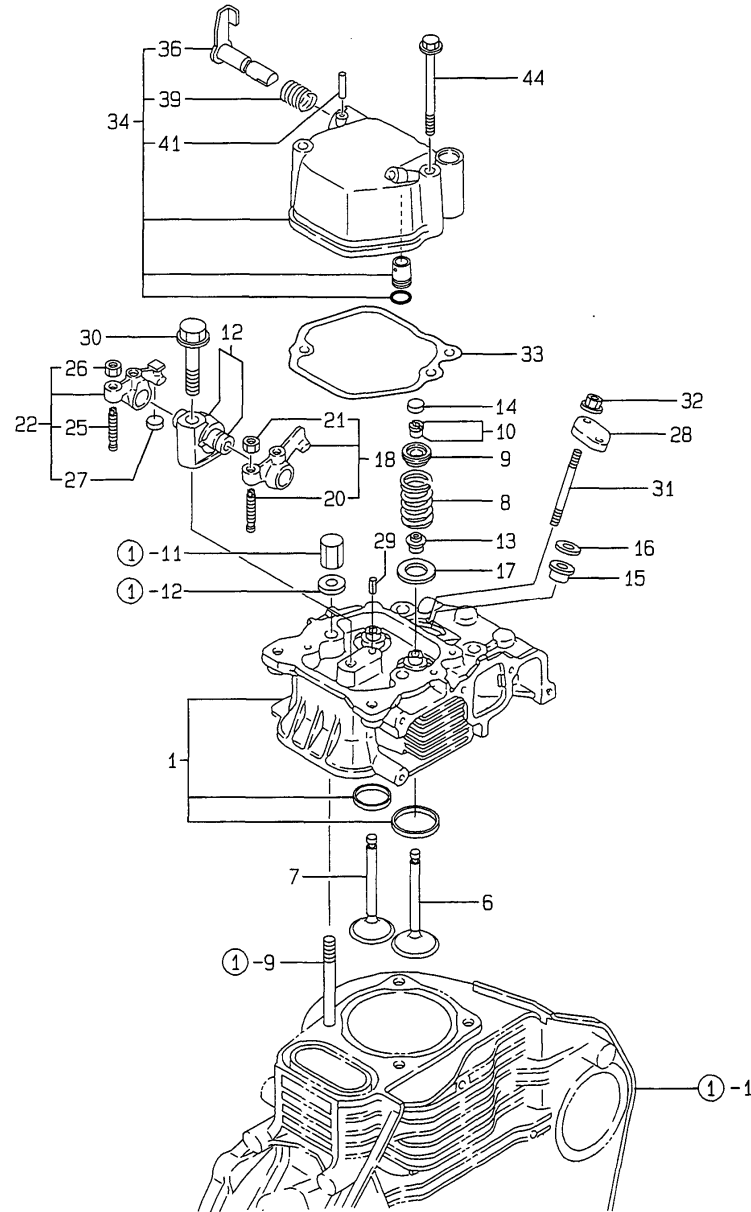
Remarks

- (1) REPAIR PART.
- (2) UNDER-SIZE(U.S=0.25)PART.
- (3) UNDER-SIZE(U.S=0.50)PART.
- (G) THESE PARTS ARE SOLD BY FIG.10, REF.NO.25.

(A)=L100AE-DGMS (D)=
 (B)=L100AE-DEGMS (E)=
 (C)= (F)=

Fig.2. CYLINDER HEAD & BONNET

2.CYLINDER HEAD & BONNET



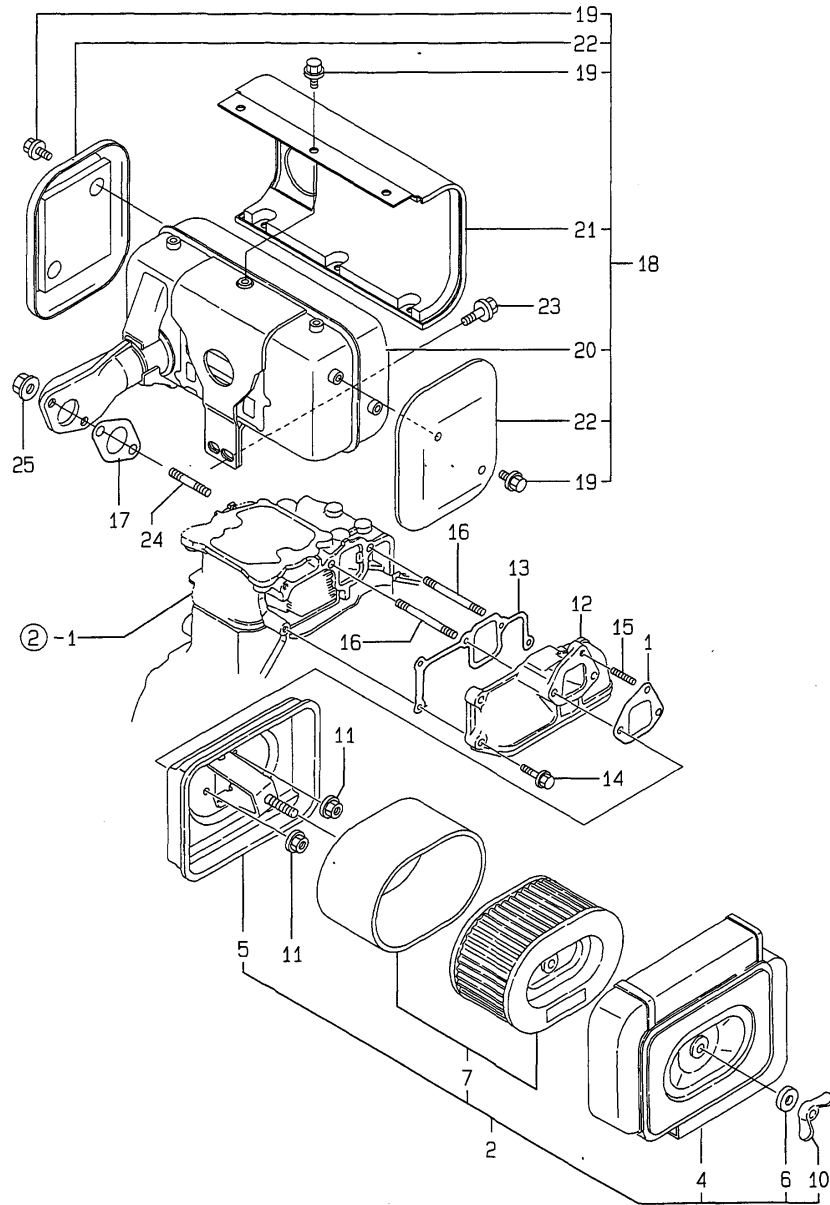
REF.	LEV.	PARTS NO.	DESCRIPTION	QTY						I	R
				(A)	(B)	(C)	(D)	(E)	(F)		
1	1	114650-11010	HEAD ASSY, CYLINDER	1	1						
6	1	114650-11100	VALVE, SUCTION	1	1						
7	1	114654-11110	VALVE, EXHAUST	1	1						
8	1	114650-11121	SPRING, VALVE	2	2						
9	1	119620-11180	RETAINER, SPRING	2	2						
10	1	27310-070001	COTTER ASSY	2	2						
12	1	114650-11261	SUPPORT, ROCKER ARM	1	1						
13	1	114650-11340	SEAL, VALVE STEM	2	2						G
14	1	104211-11370	CAP, VALVE	1	1						
15	1	114250-11460	GASKET, NOZZLE	1	1						G
16	1	114350-11470	SPACER, NOZZLE	1	1						
17	1	114650-11600	WASHER	2	2						
18	1	114650-11652	ARM ASSY, INTAKE	1	1						
20	2	114250-11240	SCREW, VALVE ADJUST.	1	1						
21	2	26756-060002	LOCK NUT M 6 PLATED	1	1						
22	1	714670-11660	ARM ASSY, EXHAUST	1	1						
25	2	114250-11240	SCREW, VALVE ADJUST.	1	1						
26	2	26756-060002	LOCK NUT M 6 PLATED	1	1						
27	2	104211-11370	CAP, VALVE	1	1						
28	1	114250-11900	RETAINER, NOZZLE	1	1						
29	1	22351-040008	SPRING PIN 4X 8	1	1						
30	1	26106-100552	BOLT M10X 55 PLATED	1	1						
31	1	26226-060502	STUD M 6X 50	2	2						
32	1	26366-060002	NUT M 6	2	2						
33	1	114650-11311	GASKET, BONNET	1	1						G
34	1	114650-11951	BONNET ASSY, HEAD	1	1						
36	2	114250-03591	SHAFT ASSY, DECOMP.	1	1						
39	2	114250-03640	SPRING	1	1						
41	2	22312-030160	PARALLEL PIN 3X16	1	1						
44	1	26106-060702	BOLT M 6X 70 PLATED	2	2						

Remarks
 (G) THESE PARTS ARE SOLD BY FIG.10,
 REF.NO.25.

(A)=L100AE-DGMS (D)=
 (B)=L100AE-DEGMS (E)=
 (C)= (F)=

Fig.3. AIR CLEANER & MUFFLER

3. AIR CLEANER & MUFFLER

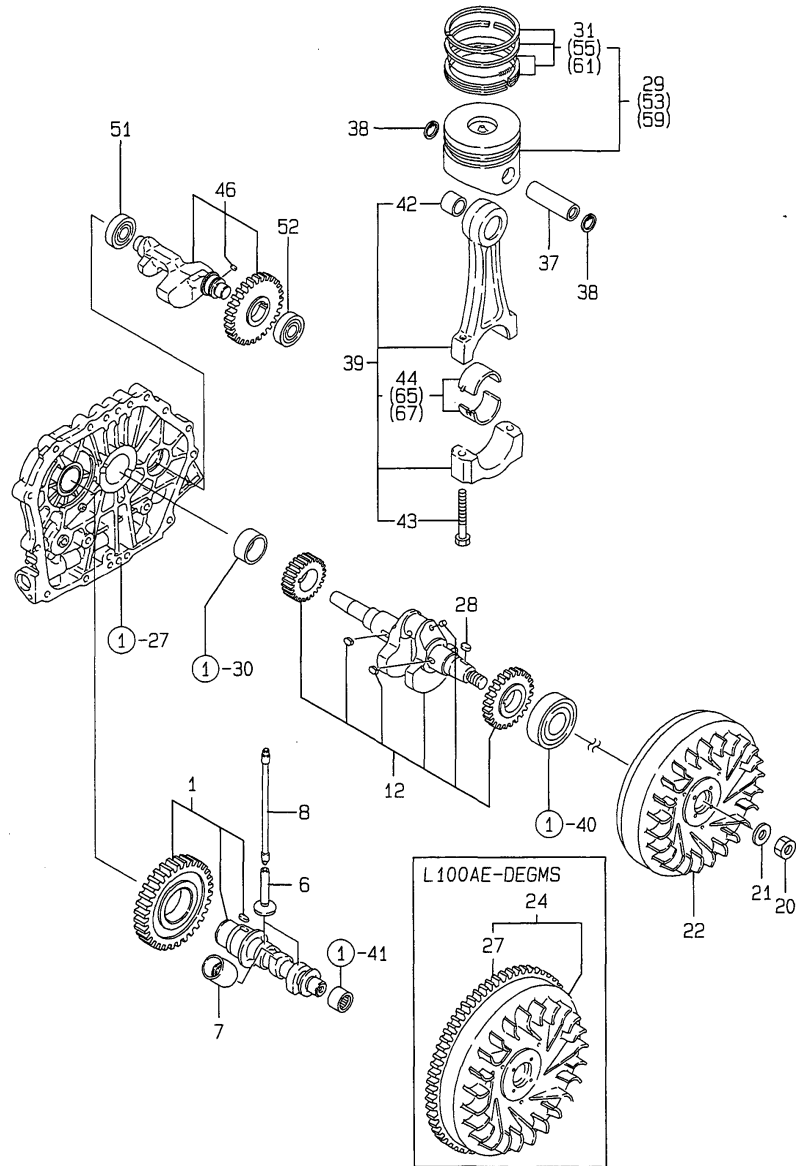


REF.	LEV.	PARTS NO.	DESCRIPTION	QTY						I	R
				(A)	(B)	(C)	(D)	(E)	(F)		
1	1	114650-12211	GASKET, AIR CLEANER	1	1						G
2	1	714650-12560	CLEANER ASSY, AIR	1	1						
4	2	114650-12520	COVER, AIR CLEANER	1	1						
5	2	114650-12530	CASE, AIR CLEANER	1	1						
6	2	114252-12560	WASHER M 8, SEAL	1	1						
7	2	114650-12590	ELEMENT W/PRE-FILTER	1	1						
10	2	114252-12550	WING-NUT, M 8	1	1						
11	1	26366-060002	NUT M 6	3	3						
12	1	114650-12020	PIPE, AIR INTAKE	1	1						
13	1	114650-12301	GASKET, AIR INTAKE	1	1						G
14	1	26106-060252	BOLT M 6X 25 PLATED	3	3						
15	1	26226-060142	STUD M 6X 14 PLATED	1	1						
16	1	26226-060752	STUD M 6X 75	2	2						
17	1	114650-13201	GASKET (NON-ASB.)	1	1						G
18	1	114970-13550	MUFFLER ASSY	1	1						
19	2	160260-01580	BOLT M 6X 6	10	10						
20	2	114970-13560	MUFFLER	1	1						
21	2	114970-13700	COVER(A), MUFFLER	1	1						
22	2	114970-13710	COVER, MUFFLER	2	2						
23	1	26106-080182	BOLT M 8X 18 PLATED	2	2						
24	1	26226-080202	STUD M 8X 20 PLATED	2	2						
25	1	26366-080002	NUT M 8	2	2						

Remarks
 (G) THESE PARTS ARE SOLD BY FIG.10,
 REF.NO.25.

Fig.4. CRANKSHAFT,PISTON & CAMSHAFT

4.CRANKSHAFT, PISTON & CAMSHAFT



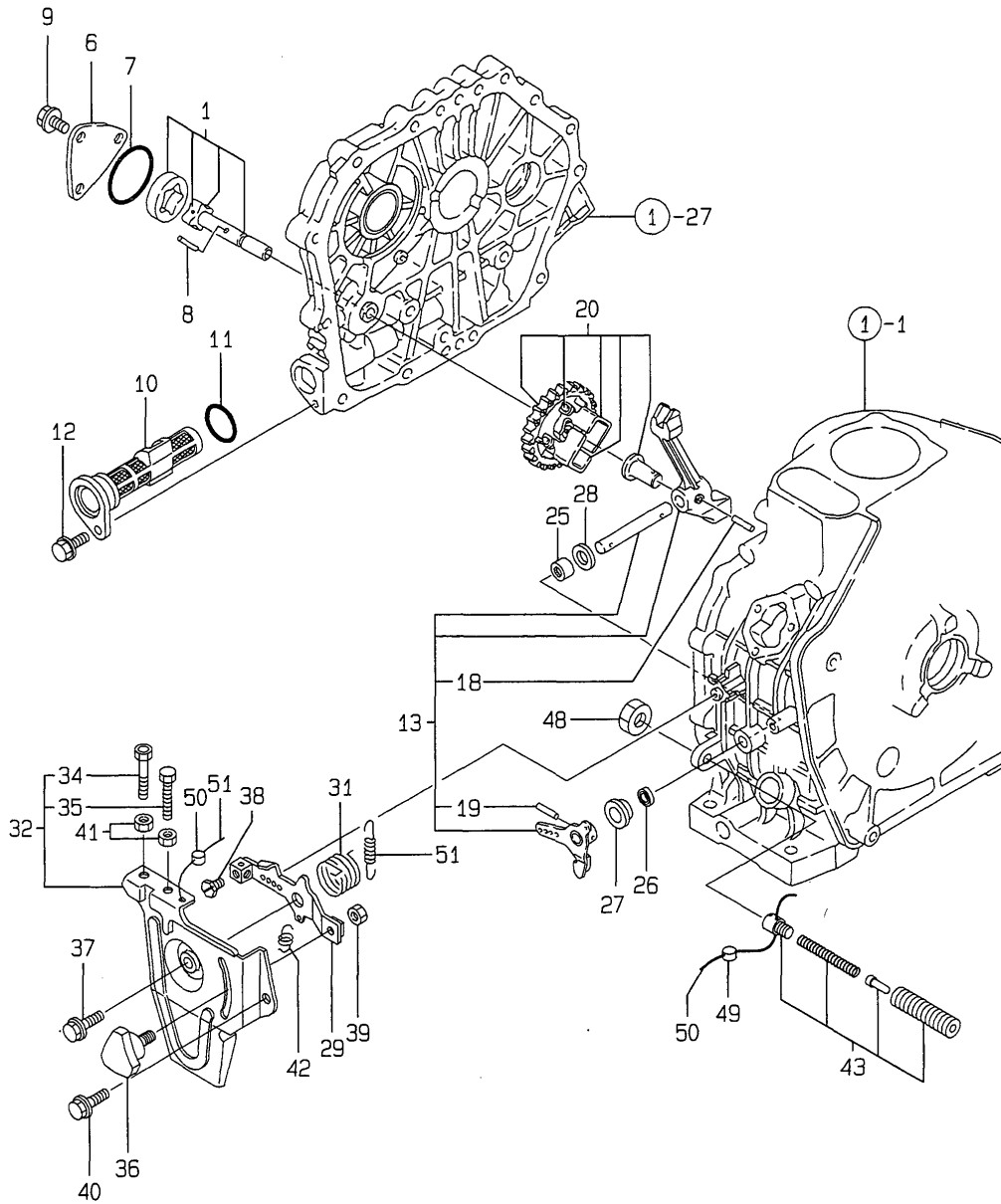
Remarks
 (1)OVER-SIZE(O.S=0.25)PART.
 (2)OVER-SIZE(O.S=0.50)PART.
 (3)UNDER-SIZE(U.S=0.25)PART.
 (4)UNDER-SIZE(U.S=0.50)PART.

(A)=L100AE-DGMS (D)=
 (B)=L100AE-DEGMS (E)=
 (C)= (F)=

REF.	LEV.	PARTS NO.	DESCRIPTION	QTY						I	R
				(A)	(B)	(C)	(D)	(E)	(F)		
1	1	714689-14580	CAMSHAFT (D) ASSY	1	1						
6	1	114650-14200	TAPPET	2	2						
7	1	114250-14260	TAPPET, FUEL	1	1						
8	1	114650-14401	ROD, PUSH	2	2						
12	1	714689-21730	CRANKSHAFT ASY.(DGMO	1	1						
20	1	122710-01220	NUT M18	1	1						
21	1	114650-21551	WASHER, FLYWHEEL	1	1						
22	1	114660-21401	FLYWHEEL (D)	1							
24	1	114662-21592	FLYWHEEL W/RING GEAR		1						
27	2	114662-21601	GEAR, RING			1					
28	1	22512-050140	KEY 5X 14	1	1						
29	1	714980-22720	PISTON W/RINGS	1	1						
31	2	714970-22500	RING SET, PISTON	1	1						
37	1	114650-22300	PIN, PISTON D=23	1	1						
38	1	129792-22400	CIRCLIP 23	2	2						
39	1	714650-23700	ROD ASSY, CONNECTING	1	1						
42	2	124060-23100	BUSH, PISTON PIN	1	1						
43	2	104200-23201	BOLT, ROD	2	2						
44	2	714650-23600	BEARING, CRANKPIN	1	1						
46	1	714970-28511	SHAFT ASSY, BALANCER	1	1						
51	1	24101-062034	BALL BEARING	1	1						
52	1	24101-063034	BALL BEARING	1	1						
53	1	714980-22620	PISTON W/RING OS=.25	1	1						1
55	2	714970-22540	RING SET O.S=0.25	1	1						1
59	1	714980-22580	PISTON W/RING OS=0.5	1	1						2
61	2	714970-22550	RING SET O.S=0.50	1	1						2
65	1	714650-23610	BEARING,PIN(U.S=0.25)	1	1						3
67	1	714650-23620	BEARING,PIN(U.S=0.50)	1	1						4

Fig.5. LUB.OIL PUMP & GOVERNOR

5.LUB.OIL PUMP & GOVERNOR



Remarks
(G) THESE PARTS ARE SOLD BY FIG.10,
REF.NO.25.

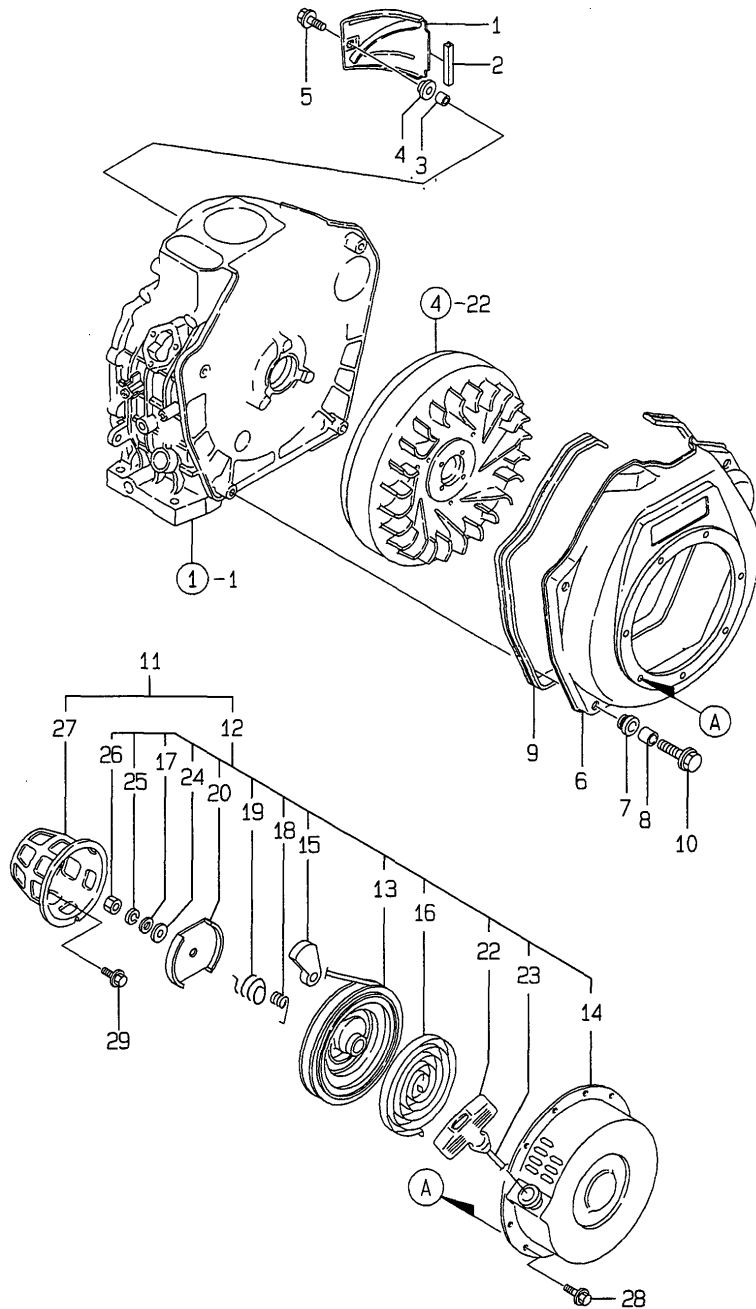
(A)=L100AE-DGMS (D)=
(B)=L100AE-DEGMS (E)=
(C)= (F)=

REF.	LEV.	PARTS NO.	DESCRIPTION	QTY						I	R
				(A)	(B)	(C)	(D)	(E)	(F)		
1	1	114650-32010	PUMP ASSY, LUB.OIL	1	1						
6	1	114250-32070	COVER, LUB. OIL PUMP	1	1						
7	1	103338-32570	O-RING	1	1						G
8	1	22312-030160	PARALLEL PIN 3X16	1	1						
9	1	26476-060142	BOLT M 6X 14,TAPPING	3	3						
10	1	114250-35070	STRAINER, LUB. OIL	1	1						
11	1	24341-000224	O-RING 1A S-22.4	1	1						G
12	1	26106-060162	BOLT M 6X 16 PLATED	1	1						
13	1	714650-61500	LEVER ASSY, GOVERNOR	1	1						
18	2	22322-030200	TAPER PIN 3X20	1	1						
19	2	22322-030200	TAPER PIN 3X20	1	1						
20	1	714685-61700	GOVERNOR ASSY	1	1						
25	1	114270-61520	NEEDLE BEARING FJ810	2	2						
26	1	114770-61600	SEAL, OIL	1	1						
27	1	114770-61610	WASHER, THRUST	1	1						
28	1	114770-61190	WASHER	1	1						
29	1	114250-66050	HANDLE, REGULATOR	1	1						
31	1	114252-66252	SPRING, RETURN	1	1						
32	1	114268-66500	BRACKET ASSY,REGULAT	1	1						
34	2	114250-66440	BOLT, ADJUSTING	1	1						
35	2	102100-67080	BOLT, ADJUSTING	1	1						
36	1	160725-78350	KNOB (W/M6X15)	1	1						
37	1	26106-060202	BOLT M 6X 20 PLATED	1	1						
38	1	26117-040088	BOLT M 4X 8 PLATED	1	1						
39	1	26347-060002	U-NUT M 6	1	1						
40	1	26476-060142	BOLT M 6X 14,TAPPING	1	1						
41	1	26757-060002	NUT M 6	2	2						
42	1	114250-66200	SPRING, RETURN	1	1						
43	1	114650-66600	TORQUE SPRING ASSY	1	1						
48	1	26696-100002	NUT M10	1	1						
49	1	135210-61090	LEAD	2	2						
50	1	22451-060000	WIRE 0.6	2	2						
51	1	114970-66010	SPRING, REGULATOR	1	1						

(A)=L100AE-DGMS (D)=
 (B)=L100AE-DEGMS (E)=
 (C)= (F)=

Fig.6. COOLING & STARTING DEVICE

6.COOLING & STARTING DEVICE

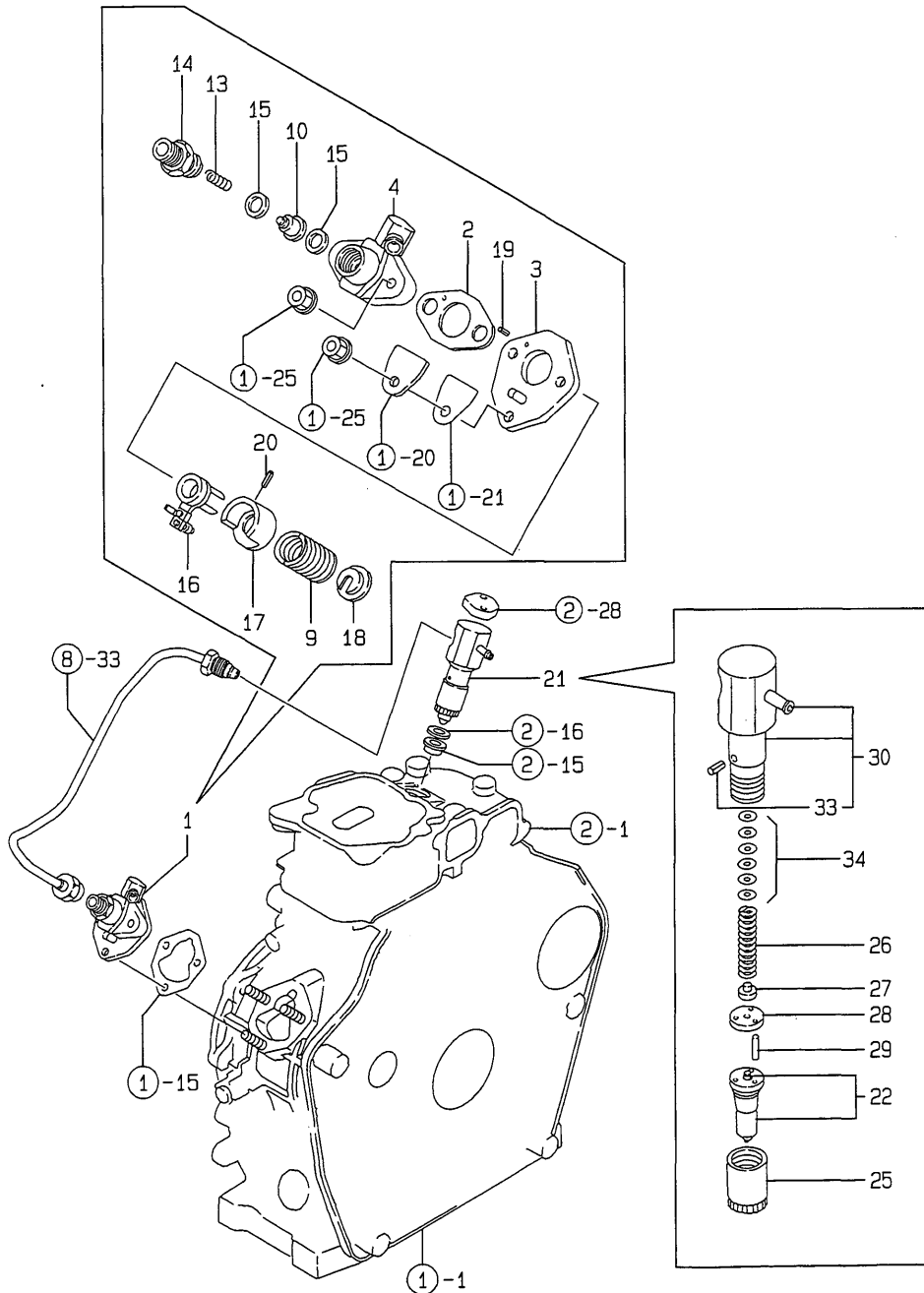


REF.	LEV.	PARTS NO.	DESCRIPTION	QTY						I	R
				(A)	(B)	(C)	(D)	(E)	(F)		
1	1	114650-45201	COVER	1	1						
2	1	114350-45320	RUBBER, SEAL	1	1						
3	1	114350-45340	COLLAR	1	1						
4	1	183720-55210	GROMMET	1	1						
5	1	26476-060202	BOLT M 6X 20,TAPPING	1	1						
6	1	114668-45102	CASE,FAN(SILVER)(17)	1	1						
7	1	114250-45301	RUBBER, CUSHION	4	4						
8	1	114250-45310	COLLAR	4	4						
9	1	114650-45330	SEAL, FAN CASE	1	1						
10	1	114370-45350	BOLT, FAN CASE	4	4						
11	1	114660-76050	RECOIL STARTER(D)ASY	1	1						
12	2	114660-76250	RECOIL STARTER(D)ASY	1	1						
13	3	114650-76520	REEL, RECOIL	1	1						
14	3	114660-76530	CASE (D) W/NO LABEL	1	1						
15	3	160910-76530	RATCHET	1	1						
16	3	114650-76540	SPRING, SPIRAL	1	1						
17	3	160910-76550	WASHER, THRUST	1	1						
18	3	160910-76560	SPRING, FRICTION	1	1						
19	3	160910-76570	SPRING, RETURN	1	1						
20	3	160910-76580	PLATE, FRICTION	1	1						
22	3	160910-76620	KNOB, STARTER	1	1						
23	3	114650-76630	ROPE, RECOIL STARTER	1	1						
24	3	160910-76650	WASHER (B)	1	1						
25	3	22217-060000	SPRING WASHER 6	1	1						
26	3	26717-060002	NUT M 6	1	1						
27	2	114660-76590	PULLEY, STARTER	1	1						
28	1	26106-060082	BOLT M 6X 8 PLATED	4	4						
29	1	26106-060122	BOLT M 6X 12 PLATED	4	4						

(A)=L100AE-DGMS (D)=
 (B)=L100AE-DEGMS (E)=
 (C)= (F)=

Fig.7. FUEL INJECTION PUMP

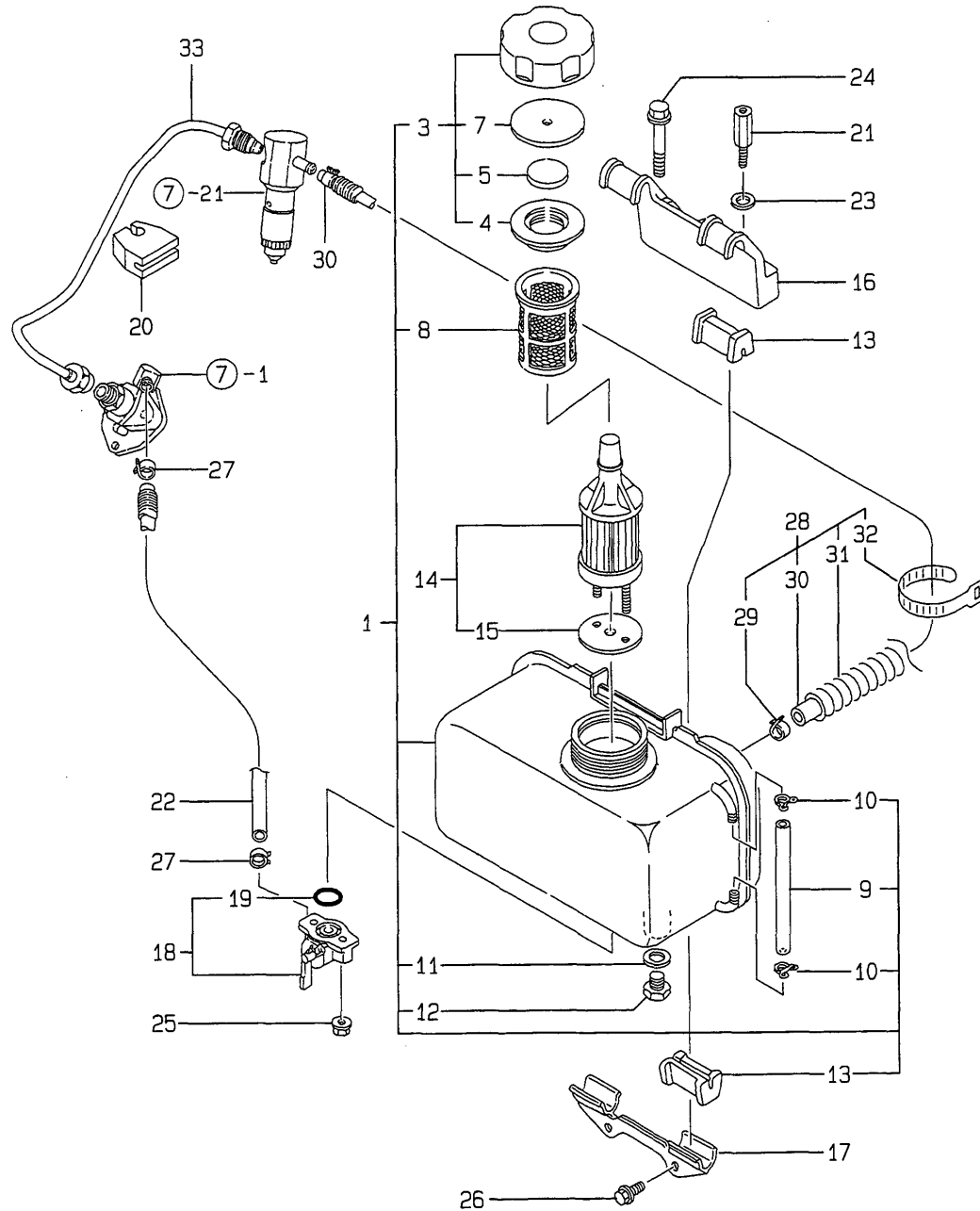
7.FUEL INJECTION PUMP



REF.	LEV.	PARTS NO.	DESCRIPTION	QTY						I	R
				(A)	(B)	(C)	(D)	(E)	(F)		
1	1	714970-51700	PUMP ASSY, F.INJECT.	1	1						
2	2	105546-51020	GASKET	1	1						
3	2	114250-51080	PLATE	1	1						
4	2	114970-51100	BODY, F. I. PUMP	1	1						
9	2	114250-51160	SPRING	1	1						
10	2	114650-51300	VALVE ASSY, DELIVERY	1	1						
13	2	105546-51330	SPRING, DELIV. VALVE	1	1						
14	2	114250-51340	HOLDER, F.I.P.DELIVE	1	1						
15	2	124550-51350	GASKET, DELIVERY	2	2						
16	2	114250-51600	LEVER ASSY, CONTROL	1	1						
17	2	114250-51640	SEAT (A), SPRING	1	1						
18	2	114250-51650	SEAT (B), SPRING	1	1						
19	2	22351-020006	SPRING PIN 2X 6	2	2						
20	2	22351-030008	SPRING PIN 3X 8	1	1						
21	1	714650-53100	VALVE ASSY, F.INJECT	1	1						
22	2	114650-53000	NOZZLE ASSY,F.INJECT	1	1						
25	2	114250-53080	NUT, NOZZLE CASE	1	1						
26	2	114250-53120	SPRING, NOZZLE	1	1						
27	2	114250-53130	SEAT, NOZZLE SPRING	1	1						
28	2	114250-53140	PLATE, STOP	1	1						
29	2	114250-53210	PIN	2	2						
30	2	114650-53300	HOLDER ASSY, NOZZLE	1	1						
33	3	114250-53331	PIN, SPRING	1	1						
34	2	114250-53400	SHIM PACK	1	1						

Fig.8. FUEL TANK & FUEL LINE

8.FUEL TANK & FUEL LINE



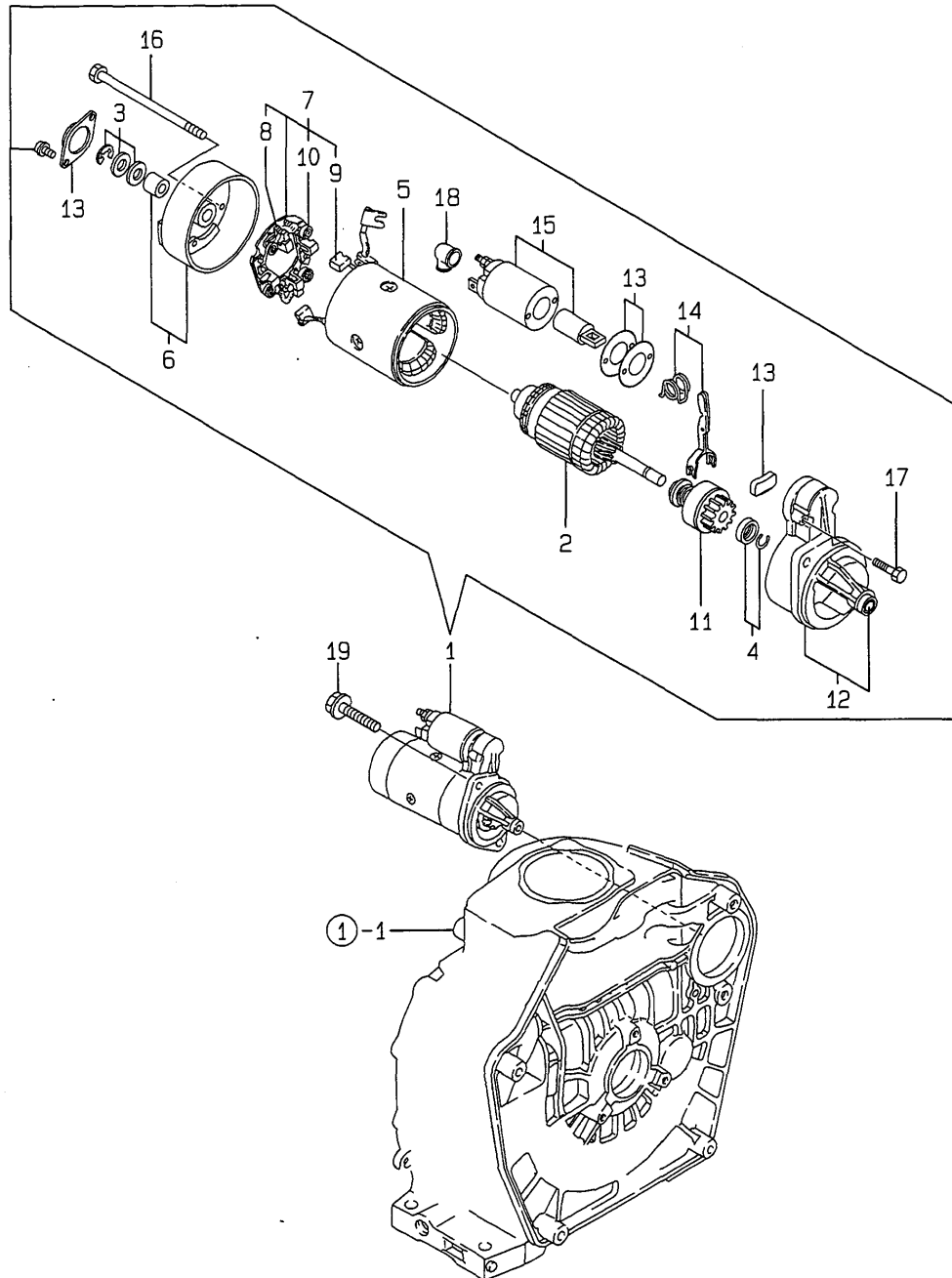
(A)=L100AE-DGMS (D)=
 (B)=L100AE-DEGMS (E)=
 (C)= (F)=

REF.	LEV.	PARTS NO.	DESCRIPTION	QTY						I	R
				(A)	(B)	(C)	(D)	(E)	(F)		
1	1	714650-55701	TANK, FUEL (RED)(50)	1	1						
3	2	114250-55041	CAP ASSY, TANK	1	1						
4	3	114250-55050	GASKET, TANK CAP	1	1						
5	3	114250-55060	SEAL	1	1						
7	3	114250-55080	SHEET, FUEL CAP	1	1						
8	2	114250-55100	FILTER, FUEL	1	1						
9	2	114650-55150	PIPE, GAUGE	1	1						
10	2	124722-59050	CLAMP 9	2	2						
11	2	23414-120000	GASKET 12, ROUND	1	1						
12	2	23887-120002	PLUG 12,HEX.	1	1						
13	2	114250-55201	DAMPER, FUEL TANK	4	4						
14	1	114250-55121	FILTER, FUEL OIL	1	1						
15	2	114250-55130	GASKET	1	1						
16	1	114250-55211	STAY (A)	1	1						
17	1	114650-55230	STAY (B)	1	1						
18	1	114250-55300	COCK ASSY, FUEL	1	1						
19	2	24341-000150	O-RING 1A S-15.0	1	1						
20	1	114650-59850	BRACKET, PIPE	1	1						
21	1	114650-55810	BOLT, LIFTING	1	1						
22	1	114250-59050	PIPE, FUEL OIL	1	1						
23	1	22117-080000	WASHER 8	1	1						
24	1	26106-080452	BOLT M 8X 45 PLATED	1	1						
25	1	26366-060002	NUT M 6	2	2						
26	1	26476-060142	BOLT M 6X 14,TAPPING	2	2						
27	1	106990-44660	BAND, HOSE	2	2						
28	1	114652-59300	PIPE, FUEL RETURN	1	1						
29	2	124722-59050	CLAMP 9	2	2						
30	2	114250-59060	PIPE, FUEL RETURN	1	1						
31	2	114652-59310	TUBE, PROTECT	1	1						
32	2	121750-59890	RETAINER	1	1						
33	1	114650-59800	PIPE, FUEL INJECTION	1	1						

(A)=L100AE-DGMS (D)=
 (B)=L100AE-DEGMS (E)=
 (C)= (F)=

Fig.9. STARTING MOTOR

9.STARTING MOTOR

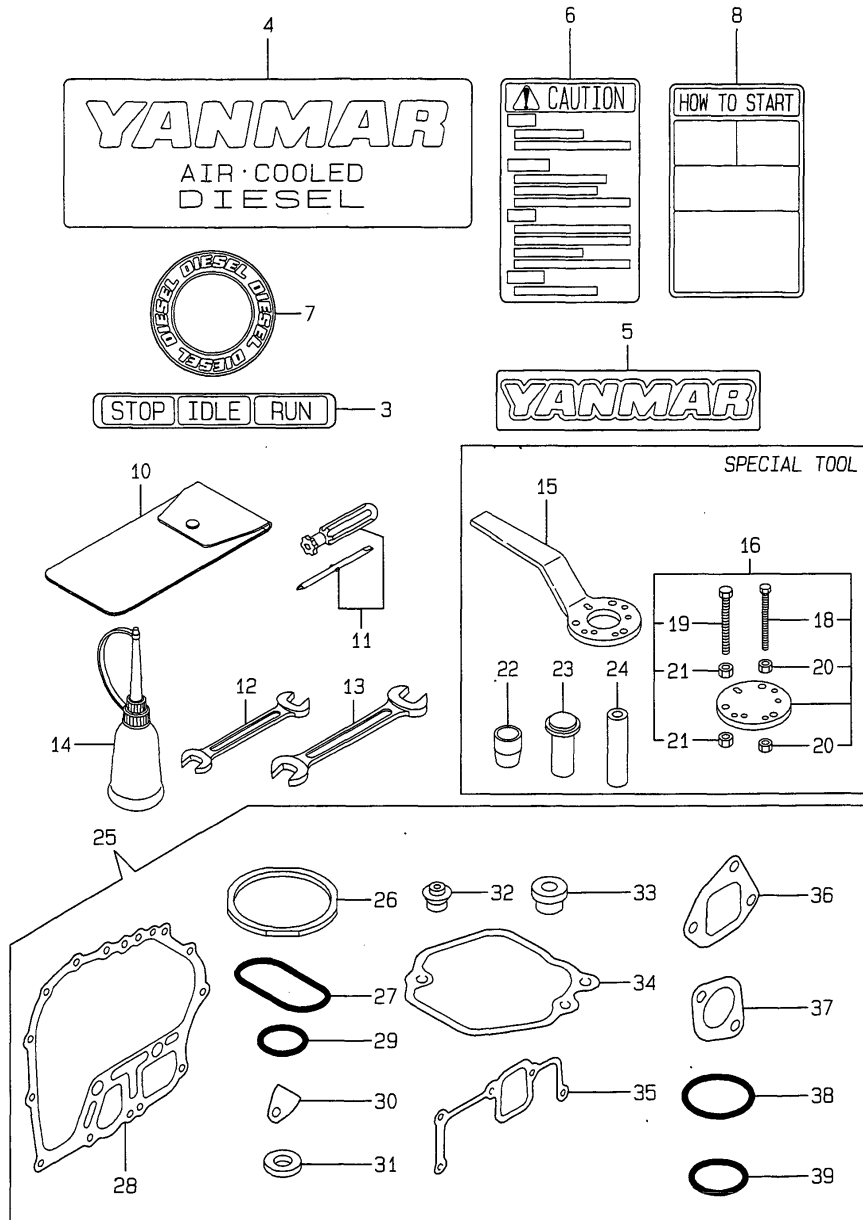


REF.	LEV.	PARTS NO.	DESCRIPTION	QTY						I	R
				(A)	(B)	(C)	(D)	(E)	(F)		
1	1	114362-77011	STARTER (S114-414A)		1						
2	2	114381-77110	ARMATURE		1						
3	2	X2114811000	WASHER KIT, THRUST		1						
4	2	X2114715500	STOPPER SET, PINION		1						
5	2	114381-77130	COIL ASSY, FIELD		1						
6	2	114381-77140	COVER, REAR		1						
7	2	114371-77160	HOLDER ASSY, BRUSH		1						
8	3	114371-79040	BRUSH (-)		2						
9	3	114371-79050	BRUSH (+)		1						
10	3	114371-79060	SPRING, BRUSH		4						
11	2	X2114455080	PINION ASSY		1						
12	2	114381-77150	HOUSING ASSY, GEAR		1						
13	2	114371-77170	COVER KIT, DUST		1						
14	2	X2114560130	LEVER KIT, SHIFT		1						
15	2	X2114275010	SWITCH ASSY, MAGNET		1						
16	2	X2114680050	BOLT, THROUGH		2						
17	2	114371-79070	BOLT M 6X 37		2						
18	2	X2114274200	COVER, TERMINAL		1						
19	1	26106-100302	BOLT M10X 30 PLATED		2						

(A)=L100AE-DGMS (D)=
 (B)=L100AE-DEGMS (E)=
 (C)= (F)=

Fig.10. TOOL,LABEL & GASKET SET

10. TOOL, LABEL & GASKET SET



Remarks
 (1) OPIONAL PART.

REF.	LEV.	PARTS NO.	DESCRIPTION	QTY						I	R
				(A)	(B)	(C)	(D)	(E)	(F)		
3	1	183250-07230	LABEL, OPERATION	1							
4	1	114250-07090	LABEL, AIR COOLED	1	1						
5	1	114250-07111	LABEL, YANMAR	1	1						
6	1	114268-07240	LABEL, CAUTION	1	1						
7	1	114261-07350	LABEL	1	1						
8	1	114268-07350	LABEL, HOW TO START	1	1						
10	1	114250-92600	BAG, TOOL	1	1						
11	1	160330-92730	SCREWDRIVER	1	1						
12	1	28110-100120	WRENCH 10X12	1	1						
13	1	28110-140170	WRENCH 14X17	1	1						
14	1	28210-000150	FEEDER, OIL	1	1						
15	1	114250-92101	F.W. LOCKING HANDLE	1	1						1
16	1	114250-92130	REMOVER, FLYWHEEL	1	1						1
18	2	26116-060454	BOLT M 6X 45 PLATED	4	4						1
19	2	26116-080454	BOLT M 8X 45 PLATED	3	3						1
20	2	26716-060002	NUT M6	8	8						1
21	2	26716-080002	NUT M 8	6	6						1
22	1	114661-92300	GUIDE, OIL SEAL	1	1						1
23	1	114650-92310	INSTALLING TOOL	1	1						1
24	1	114650-92350	INSTALLING TOOL	1	1						1
25	1	714988-92600	GASKET SET	1	1						1
26	2	114970-01340	GASKET, CYL. HEAD	1	1						1
27	2	114650-01380	O-RING	1	1						1
28	2	114650-01412	GASKET, CRANK CASE	1	1						1
29	2	24311-000180	O-RING 1A P-18.0	2	2						1
30	2	114250-01841	GASKET	1	1						1
31	2	22190-160002	SEAL WASHER 16S	2	2						1
32	2	114650-11340	SEAL, VALVE STEM	2	2						1
33	2	114250-11460	GASKET, NOZZLE	1	1						1
34	2	114650-11311	GASKET, BONNET	1	1						1
35	2	114650-12301	GASKET, AIR INTAKE	1	1						1
36	2	114650-12211	GASKET, AIR CLEANER	1	1						1
37	2	114650-13201	GASKET (NON-ASB.)	1	1						1
38	2	103338-32570	O-RING	1	1						1
39	2	24341-000224	O-RING 1A S-22.4	1	1						1