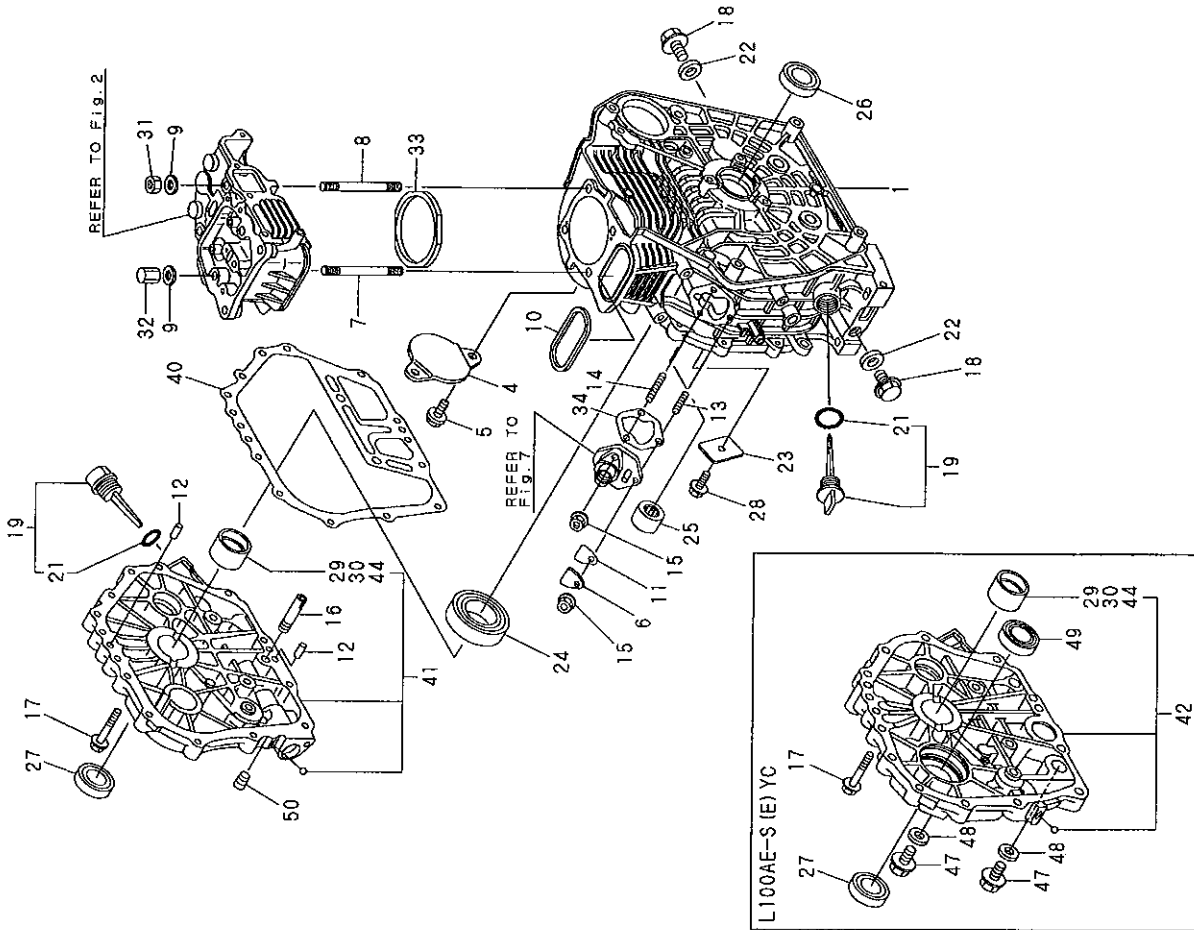


Fig. 1. CYLINDER BLOCK



Y00R5530 1. CYLINDER BLOCK

(A)=L100AE-DYIC  
 (B)=L100AE-DBYC  
 (C)=L100AE-DEGYC  
 (D)=L100AE-DGYC  
 (E)=L100AE-DVYC  
 (F)=L100AE-IEYC

REF.	LEV.	PARTS NO.	DESCRIPTION	QTY					
				(A)	(B)	(C)	(D)	(E)	(F)
1	1	114970-01022	BLOCK ASSY, CYLINDER	1	1	1	1	1	1
4	1	114399-01700	COVER, STARTER	1	1	1	1	1	1
5	1	26106-100122	BOLT M10X 12 PLATED	2	2	2	2	2	2
6	1	114299-01830	COVER,(FO) PUMP	1	1	1	1	1	1
7	1	114699-01200	STUD, CYL. HEAD	2	2	2	2	2	2
8	1	114650-01240	STUD, CYL. HEAD	2	2	2	2	2	2
9	1	114699-01250	WASHER, HEAD BOLT	4	4	4	4	4	4
10	1	114699-01380	O-RING, TAPPET	1	1	1	1	1	1
11	1	114299-01840	GASKET, FUEL PUMP	1	1	1	1	1	1
12	1	114270-01600	PARALLEL PIN 8X12	2	2	2	2	2	2
13	1	26226-060182	STUD M 6X 18 PLATED	1	1	1	1	1	1
14	1	26226-060222	STUD M 6X 22 PLATED	2	2	2	2	2	2
15	1	26386-060002	NUT M 6	3	3	3	3	3	3
16	1	114299-35150	PIPE, L.O. INLET	1	1	1	1	1	1
17	1	26106-080352	BOLT M 8X 35 PLATED	16	16	16	16	16	16
18	1	105425-01690	PLUG M16	2	2	2	2	2	2
19	1	114699-01760	CAP, W/LUB. OIL GAUGE	2	2	2	2	2	2
21	2	114299-01950	O-RING	2	2	2	2	2	2
22	1	22190-160002	SEAL WASHER 16S	2	2	2	2	2	2
23	1	114299-02030	RETAINER	1	1	1	1	1	1
24	1	114650-02150	BALL BEARING	1	1	1	1	1	1
25	1	24162-152112	NEEDLE BEARING	1	1	1	1	1	1
26	1	24423-355008	SEAL, OIL	1	1	1	1	1	1
27	1	24423-355008	SEAL, OIL	1	1	1	1	1	1
28	1	26106-080122	BOLT M 8X 12 PLATED	1	1	1	1	1	1
29	1	114650-02200	MAIN BEARING US=0.25	1	1	1	1	1	1
30	1	114650-02210	MAIN BEARING US=0.50	1	1	1	1	1	1
31	1	114699-01220	HEAD NUT(A)	2	2	2	2	2	2
32	1	114699-01230	HEAD NUT(B)	2	2	2	2	2	2
33	1	114699-01330	GASKET, CYL. HEAD	1	1	1	1	1	1
34	1	114299-01800	SHIM SET	1	1	1	1	1	1
40	1	114699-01410	GASKET, CRANK CASE	1	1	1	1	1	1
41	1	114699-01450	COVER ASSY, CASE D	1	1	1	1	1	1
42	1	114650-01453	COVER ASSY, CASE S	1	1	1	1	1	1
44	2	114650-02100	BEARING, MAIN	2	2	2	2	2	2
47	1	105425-01690	PLUG, DRAIN 16	1	1	1	1	1	1
48	1	22190-160002	WASHER, SEAL 16	2	2	2	2	2	2
49	1	24101-062070	BEARING, 6207 C3	1	1	1	1	1	1
50	1	23876-010000	PLUG, R01	1	1	1	1	1	1

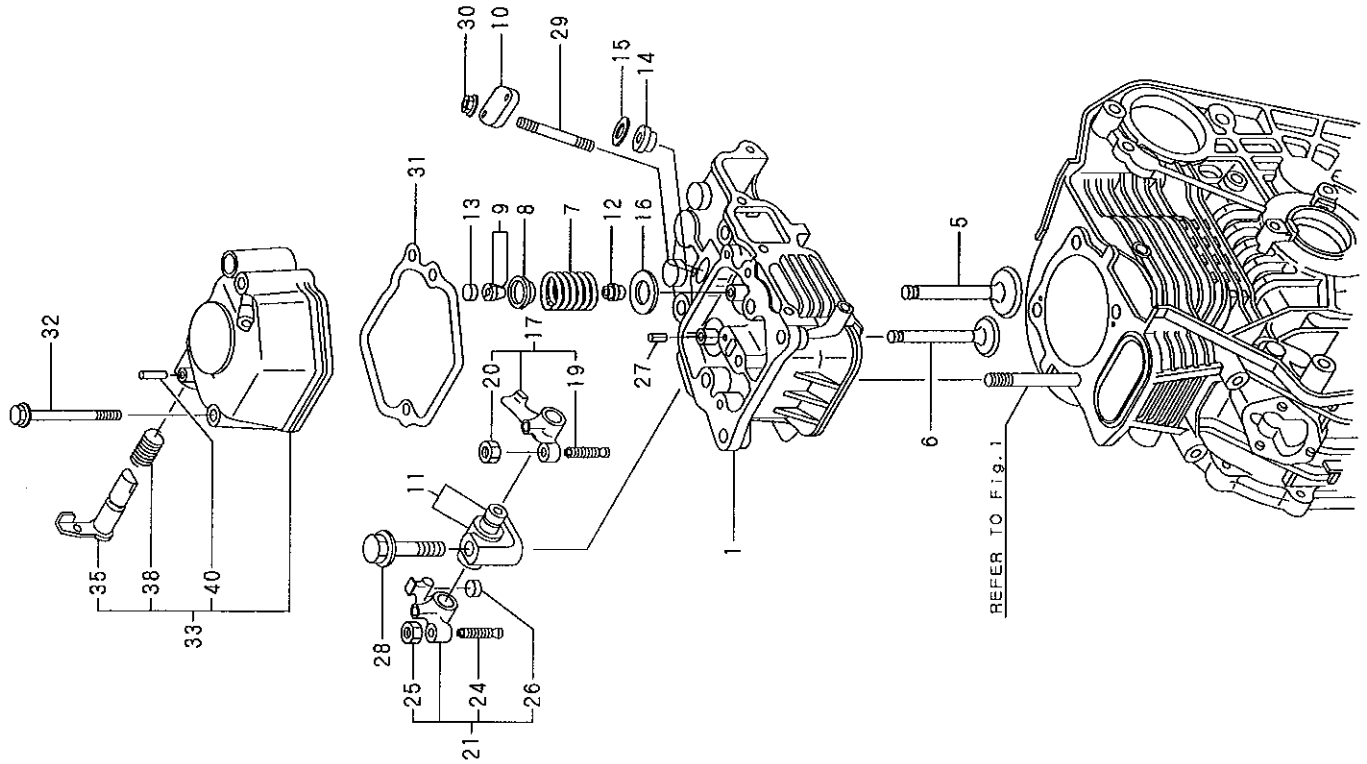
Remarks  
 (1)REPAIR PART.  
 (2)UNDER SIZED(U.S.=0.25)PART.  
 (3)UNDER SIZED(U.S.=0.50)PART.  
 (4)IT IS NOT USED FOR L100AE-SEYC.

2.CYLINDER HEAD & BONNET

(A)=L100AE-DYC  
(B)=L100AE-DEYC  
(C)=L100AE-DEGYC  
(D)=L100AE-DGYC  
(E)=L100AE-DVYC  
(F)=L100AESE(Y)C

REF.	LEV.	PARTS NO.	DESCRIPTION	(A)	(B)	(C)	(D)	(E)	(F)
1		114650-11011	HEAD ASSY, CYLINDER	1	1	1	1	1	1
5		114650-11100	VALVE, INTAKE	1	1	1	1	1	1
6		114654-11110	VALVE, EXHAUST	1	1	1	1	1	1
7		114699-11120	SPRING, VALVE	2	2	2	2	2	2
8		119620-11180	RETAINER, SPRING	2	2	2	2	2	2
9		27310-070001	COTTER ASSY	2	2	2	2	2	2
10		114299-11901	RETAINER, NOZZLE	1	1	1	1	1	1
11		114650-11261	SUPPORT, ROCKER ARM	1	1	1	1	1	1
12		114650-11340	SEAL, VALVE STEM	2	2	2	2	2	2
13		104211-11370	CAP, VALVE	1	1	1	1	1	1
14		114250-11460	GASKET, NOZZLE	1	1	1	1	1	1
15		114350-11470	SPACER, NOZZLE	1	1	1	1	1	1
16		114699-11600	WASHER, VALVE SPRING	2	2	2	2	2	2
17		114650-11652	ARM ASSY, INTAKE	1	1	1	1	1	1
19		114250-11240	SCREW, VALVE ADJUST.	1	1	1	1	1	1
20		26856-060002	LOCK NUT 6	1	1	1	1	1	1
21		714670-11660	ARM ASSY, EXHAUST	1	1	1	1	1	1
24		114250-11240	SCREW, VALVE ADJUST.	1	1	1	1	1	1
25		26856-060002	LOCK NUT 6	1	1	1	1	1	1
26		104211-11370	CAP, VALVE	1	1	1	1	1	1
27		22351-040008	SPRING PIN 4X 8	1	1	1	1	1	1
28		26106-100552	BOLT M10X 55 PLATED	1	1	1	1	1	1
29		26226-060502	STUD M 6X 50	2	2	2	2	2	2
30		26366-060002	NUT M 6	2	2	2	2	2	2
31		114699-11320	GASKET, BONNET	1	1	1	1	1	1
32		26106-060702	BOLT M 6X 70 PLATED	2	2	2	2	2	2
33		114699-11950	BONNET ASSY, HEAD	1	1	1	1	1	1
35		114250-03591	SHAFT ASSY, DECOMP.	1	1	1	1	1	1
38		114250-03640	SPRING	1	1	1	1	1	1
40		22312-030160	PARALLEL PIN 3X16	1	1	1	1	1	1

Fig.2.CYLINDER HEAD & BONNET



Y00R5530

3.AIR CLEANER & MUFFLER

(A)=L100AE-DYC  
 (B)=L100AE-DEYC  
 (C)=L100AE-DEGYC  
 (D)=L100AE-DGYC  
 (E)=L100AE-DVYC  
 (F)=L100AES(E)YC

REF.	LEV.	PARTS NO.	DESCRIPTION	QTY					
				(A)	(B)	(C)	(D)	(E)	(F)
1		114650-12511	CLEANER ASSY, AIR	1	1	1	1	1	1
2		114650-12520	COVER, AIR CLEANER	1	1	1	1	1	1
3		114650-12531	CASE ASSY, CLEANER	1	1	1	1	1	1
4		114252-12560	WASHER M 8, SEAL	1	1	1	1	1	1
5		114650-12591	ELEMENT ASSY	1	1	1	1	1	1
8		114650-07450	LABEL, AIR CLEANER	1	1	1	1	1	1
9		114252-12550	WING-NUT, M 8	1	1	1	1	1	1
10		114250-12300	U-NUT	3	3	3	3	3	3
11		114699-12020	PIPE, AIR INTAKE	1	1	1	1	1	1
12		26106-060252	BOLT M 6X 25 PLATED	3	3	3	3	3	3
13		26226-060142	STUD M 6X 14 PLATED	1	1	1	1	1	1
14		26226-060752	STUD M 6X 75	2	2	2	2	2	2
15		114699-13200	GASKET, MUFFLER	1	1	1	1	1	1
16		114970-13551	MUFFLER ASSY	1	1	1	1	1	1
17		160260-01580	BOLT M 6X 6	10	10	10	10	10	10
18		114970-13561	MUFFLER	1	1	1	1	1	1
19		114970-13700	COVER(A), MUFFLER	1	1	1	1	1	1
20		114970-13710	COVER, MUFFLER	2	2	2	2	2	2
21		26106-080182	BOLT M 8X 18 PLATED	2	2	2	2	2	2
22		114674-13551	MUFFLER ASSY	1	1	1	1	1	1
23		160260-01580	BOLT, M6X6 FLANGE	10	10	10	10	10	10
24		114674-13511	MUFFLER	1	1	1	1	1	1
25		183382-13700	COVER, MUFFLER A	1	1	1	1	1	1
26		114970-13710	COVER, MUFFLER B	2	2	2	2	2	2
27		114973-13710	COVER, MUFFLER B	1	1	1	1	1	1
28		26106-080162	BOLT, 8 X 16	2	2	2	2	2	2
29		26216-080182	STUD M 8X 18 PLATED	2	2	2	2	2	2
30		26306-080002	NUT M 8	2	2	2	2	2	2
31		114699-13800	EXTENSION, EXH.	1	1	1	1	1	1
32		114699-12210	GASKET, AIR CLEANER	1	1	1	1	1	1
33		114699-12200	GASKET, INTAKE	1	1	1	1	1	1

(C) Copy Rights YANMAR CO., LTD and YANMAR AGRICULTURAL EQUIPMENT CO., LTD.

4. CRANKSHAFT, PISTON & CAMSHAFT

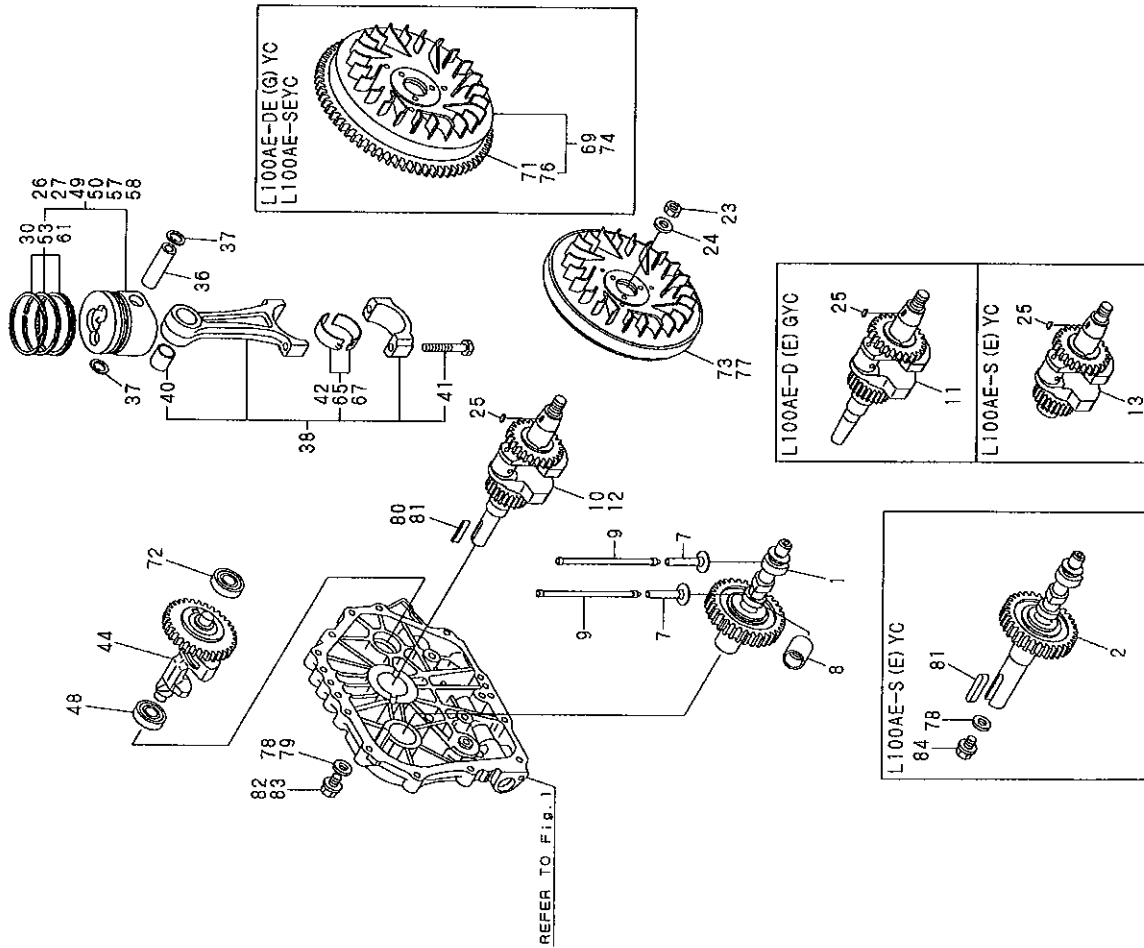
Y00R5530

Fig. 4. CRANKSHAFT, PISTON & CAMSHAFT

(D)=L100AE-DGYC  
(E)=L100AE-DVYC  
(F)=L100AE-EYIC

(A)=L100AE-DYC  
(B)=L100AE-DEYC  
(C)=L100AE-DEGYC

REF.	LEV.	PARTS NO.	DESCRIPTION	QTY					
				(A)	(B)	(C)	(D)	(E)	(F)
1	1	714699-14580	CAMSHAFT (D) ASSY	1	1	1	1	1	1
2	1	714679-14670	CAMSHAFT (S) ASSY	2	2	2	2	2	2
7	1	114650-14200	TAPPET	1	1	1	1	1	1
8	1	114771-14260	TAPPET,F.O.	1	1	1	1	1	1
9	1	114650-14402	ROD ASSY, PUSH	2	2	2	2	2	2
10	1	714668-21700	CRANKSHAFT ASSY, ED	1	1	1	1	1	1
11	1	714689-21730	CRANKSHAFT ASSY, EDG	1	1	1	1	1	1
12	1	714685-21710	CRANKSHAFT ASSY, D	1	1	1	1	1	1
13	1	714679-21710	CRANKSHAFT ASSY, S	1	1	1	1	1	1
23	1	114699-21220	NUIT	1	1	1	1	1	1
24	1	114699-21550	WASHER, FLYWHEEL	1	1	1	1	1	1
25	1	22512-050140	KEY, 5X 14	1	1	1	1	1	1
26	1	714980-22721	PISTON WRINGS (D)	1	1	1	1	1	1
27	1	714970-22721	PISTON WRINGS (S)	1	1	1	1	1	1
30	2	714970-22500	RING SET, PISTON	1	1	1	1	1	1
36	1	114699-22300	PIN, PISTON D=23	1	1	1	1	1	1
37	1	129792-22400	CIRCLIP 23	2	2	2	2	2	2
38	1	71465G-23700	ROD ASSY, CONNECTING	1	1	1	1	1	1
40	2	124060-23100	BUSH, PISTON PIN	1	1	1	1	1	1
41	2	105300-23200	BOLT, ROD	2	2	2	2	2	2
42	2	714650-23600	BEARING, CRANKPIN	1	1	1	1	1	1
44	1	714970-28511	SHAFT ASSY, BALANCER	1	1	1	1	1	1
48	1	24101-062030	BALL BEARING	1	1	1	1	1	1
49	1	714980-22621	PISTON WRING OS=25	1	1	1	1	1	1
50	1	714970-22621	PISTON WRING OS=25	1	1	1	1	1	1
53	2	714970-22540	RING SET O.S=0.25	1	1	1	1	1	1
57	1	714980-22581	PISTON WRING OS=0.5	1	1	1	1	1	1
58	1	714970-22581	PISTON WRING OS=0.5	1	1	1	1	1	1
61	2	714970-22550	RING SET O.S=0.50	1	1	1	1	1	1
65	1	714650-23610	BEARING, PIN(U.S=0.25)	1	1	1	1	1	1
67	1	714650-23620	BEARING, PIN(U.S=0.50)	1	1	1	1	1	1
69	1	114699-21590	FLYWHEEL ASSY	1	1	1	1	1	1
71	2	114662-21601	GEAR, RING	1	1	1	1	1	1
72	1	24101-063030	BEARING, 6303 C3	1	1	1	1	1	1
73	1	114699-21420	FLYWHEEL	1	1	1	1	1	1
74	1	114699-21570	FLYWHEEL ASSY	1	1	1	1	1	1
76	2	114651-21601	GEAR, RING	1	1	1	1	1	1
77	1	114699-21450	FLYWHEEL	1	1	1	1	1	1
78	1	160842-21260	WASHER, PULLEY	1	1	1	1	1	1
79	1	160310-14550	WASHER, PULLEY	1	1	1	1	1	1
80	1	160842-21150	KEY, 6.3X50	1	1	1	1	1	1
81	1	22512-070360	KEY, 7 X 36	1	1	1	1	1	1
82	1	160842-21250	BOLT, M7/16-20UNF	1	1	1	1	1	1
83	1	26106-080202	BOLT, 8 X 20	1	1	1	1	1	1
84	1	26106-100252	BOLT, 10 X 25	1	1	1	1	1	1



Remarks  
 (1) OVER SIZED (O.S.=0.25) PART.  
 (2) OVER SIZED (O.S.=0.50) PART.  
 (3) UNDER SIZED (U.S.=0.25) PART.  
 (4) UNDER SIZED (U.S.=0.50) PART.  
 (5) FOR L100AE-SEYC.  
 (6) FOR L100AE-SYC.

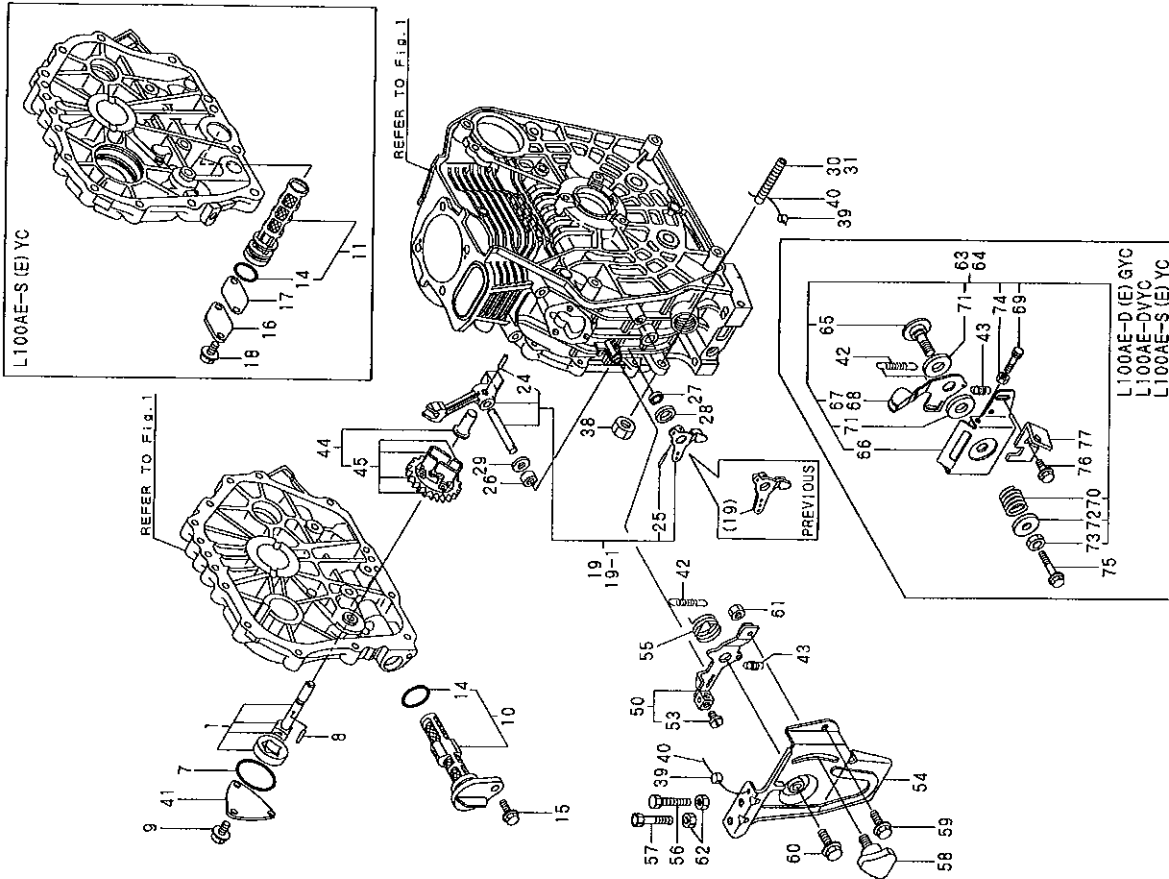
Fig.5.LUB.OIL PUMP & GOVERNOR

Y00R5530 5.LUB.OIL PUMP & GOVERNOR

(A)=L100AE-DYIC  
(B)=L100AE-DEYC  
(C)=L100AE-DEGYC  
(D)=L100AE-DGYC  
(E)=L100AE-DVYC  
(F)=L100AE-SEYC

REF.	LEV.	PARTS NO.	DESCRIPTION	(A)	(B)	(C)	(D)	(E)	(F)
1		114650-32010	PUMP ASSY, LUB.OIL	1	1	1	1	1	1
7		114299-32570	O-RING, COVER	1	1	1	1	1	1
8		22312-030160	PARALLEL PIN 3X16	1	1	1	1	1	1
9		26476-060142	BOLT M 6X 14,TAPPING	3	3	3	3	3	3
10		114299-35110	FILTER ASSY, LUB.OIL	1	1	1	1	1	1
11		114299-35100	FILTER ASSY, LUB.OIL	1	1	1	1	1	1
14		24341-000224	O-RING 1A S-22.4	1	1	1	1	1	1
15		26106-060162	BOLT M 6X 16 PLATED	1	1	1	1	1	1
16		114250-35250	COVER, L/O FILTER	1	1	1	1	1	1
17		114250-35271	GASKET, FILTER	1	1	1	1	1	1
18		26106-060122	BOLT, 6 X 12	1	1	1	1	1	1
19		714650-61500	LEVER ASSY, GOVERNOR	1	1	1	1	1	1
19-1		714650-61501	LEVER ASSY, GOVERNOR	1	1	1	1	1	1
		(A=2001.08)	(B=2001.08)	(C=2001.08)	(D=2001.08)	(E=2001.08)	(F=2001.08)		S
24		22322-030200	TAPER PIN 3X20	1	1	1	1	1	1
25		22322-030200	TAPER PIN 3X20	1	1	1	1	1	1
26		114770-61520	BEARING, NEEDLE	2	2	2	2	2	2
27		114299-61600	SEAL, OIL	1	1	1	1	1	1
28		114770-61610	WASHER, THRUST	1	1	1	1	1	1
29		114299-61190	WASHER, GOVERNOR	1	1	1	1	1	1
30		114650-66500	LIMITER ASSY, FUEL	1	1	1	1	1	1
31		114650-66600	TORQUE SPRING ASSY	1	1	1	1	1	1
38		26776-100002	LOCK NUT M10 PLATED	1	1	1	1	1	1
39		135210-61090	LEAD	2	2	2	2	2	2
40		22451-060000	WIRE 0.6	2	2	2	2	2	2
41		114299-32070	COVER, LUB. OIL PUMP	1	1	1	1	1	1
42		114699-66010	SPRING, REGULATOR	1	1	1	1	1	1
43		114299-66200	SPRING, RETURN	1	1	1	1	1	1
44		714699-61700	GOVERNOR ASSY	1	1	1	1	1	1
45		114699-61210	WEIGHT ASSY, GOVERNOR	1	1	1	1	1	1
50		114299-66060	HANDLE ASSY, REGULAT	1	1	1	1	1	1
53		26117-050089	BOLT, 5 X 8	1	1	1	1	1	1
54		114299-66101	BRACKET, HANDLE	1	1	1	1	1	1
55		114252-66252	SPRING, RETURN	1	1	1	1	1	1
56		114299-66440	BOLT, ADJUSTING	1	1	1	1	1	1
57		102100-67080	BOLT, ADJUSTING	1	1	1	1	1	1
58		160725-78350	KNOB (WM6X15)	1	1	1	1	1	1
59		26106-060142	BOLT M 6X 14 PLATED	1	1	1	1	1	1
60		26106-060202	KNOB	1	1	1	1	1	1
61		26347-060002	U-NUT, 6	1	1	1	1	1	1
62		26757-060002	NUT, 6	2	2	2	2	2	2
63		183250-66500	BRACKET ASSY, HANDLE	1	1	1	1	1	1
64		114254-66200	BRACKET ASSY, HANDLE	1	1	1	1	1	1
65		183250-66070	SHAFT, HANDLE	1	1	1	1	1	1
66		183250-66100	BRACKET, REGULATOR	1	1	1	1	1	1
67		183250-66050	HANDLE, REGULATOR	1	1	1	1	1	1
68		114254-66210	HANDLE, REGULATOR	1	1	1	1	1	1
69		114250-66440	BOLT, ADJUSTING	1	1	1	1	1	1
70		104200-66820	SPRING, HANDLE	1	1	1	1	1	1
71		104200-66831	PLATE, FRICTION	2	2	2	2	2	2
72		104200-66850	WASHER B	1	1	1	1	1	1
73		26696-100002	NUT M10	1	1	1	1	1	1
74		26757-060002	NUT M 6	1	1	1	1	1	1
75		26106-060452	BOLT M 6X 45 PLATED	1	1	1	1	1	1

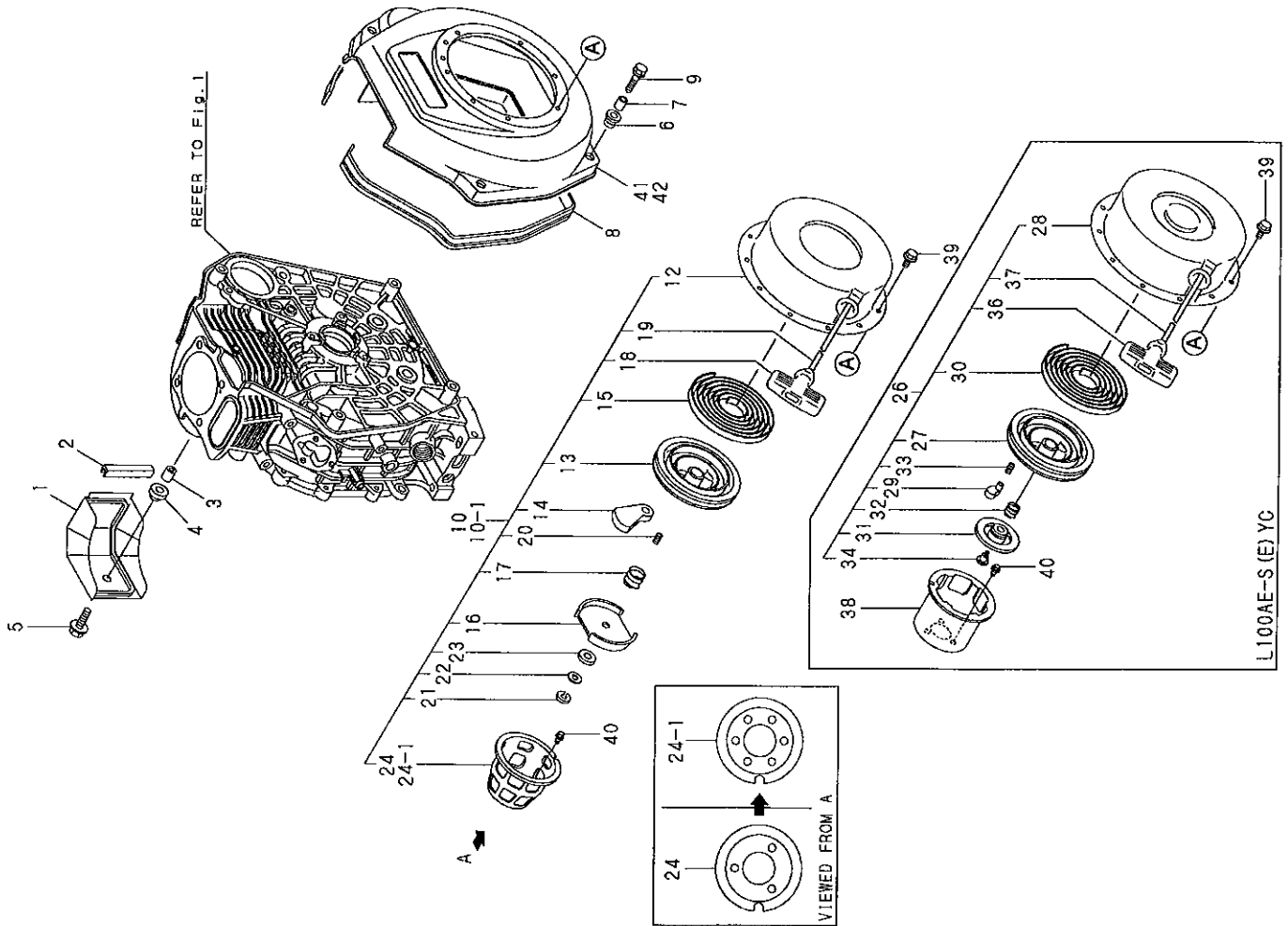
++ CONTINUE ++



Remarks  
(1)FOR L100AE-DEGYC.  
L100AE-DGYC.  
L100AE-SYC.  
(2)FOR L100AE-DVYC.  
L100AE-SEYC.



Fig. 6. COOLING & STARTING DEVICE



Y00R5530 6. COOLING & STARTING DEVICE

(A)=L100AE-DYC  
(B)=L100AE-DEYC  
(C)=L100AE-DEGYC

(D)=L100AE-DGYC  
(E)=L100AE-DVYC  
(F)=L100AE-SE(YC)

REF.	LEV.	PARTS NO.	DESCRIPTION	QTY					
				(A)	(B)	(C)	(D)	(E)	(F)
1	1	114699-45210	COVER, CYLINDER	1	1	1	1	1	1
2	1	114350-45320	RUBBER, SEAL	1	1	1	1	1	1
3	1	114399-45340	COLLAR, CYL COVER	1	1	1	1	1	1
4	1	183720-55210	GROMMET	1	1	1	1	1	1
5	1	26106-06020	KNOB	1	1	1	1	1	1
6	1	114250-45301	RUBBER, CUSHION	1	1	1	1	1	1
7	1	114299-45310	COLLAR, FAN CASE	4	4	4	4	4	4
8	1	114650-45330	SEAL, FAN CASE	1	1	1	1	1	1
9	1	114370-45351	BOLT, FAN CASE	4	4	4	4	4	4
10	1	114699-76070	RECOIL ASSY, START D	1	1	1	1	1	1
10-1	(A=EXXX)	114699-76071	RECOIL ASSY, START D (C=EXXX)	1	1	1	1	1	1
12	2	114699-76510	CASE, STARTER	1	1	1	1	1	1
13	2	114699-76520	REEL, RECOIL	1	1	1	1	1	1
14	2	114699-76530	RATCHET	2	2	2	2	2	2
15	2	114699-76540	SPRING, SPIRAL	1	1	1	1	1	1
16	2	114699-76550	GUIDE, RATCHET	1	1	1	1	1	1
17	2	114699-76560	SPRING, FRICTION	1	1	1	1	1	1
18	2	114699-76620	KNOB, STARTER	1	1	1	1	1	1
19	2	114699-76630	ROPE, STARTER	1	1	1	1	1	1
20	2	114699-76650	SPRING, COMPRESSION	1	1	1	1	1	1
21	2	114699-76660	RING, RETAINING	1	1	1	1	1	1
22	2	114699-76670	WASHER	1	1	1	1	1	1
23	2	114699-76680	WASHER, NYLON	1	1	1	1	1	1
24	2	114699-76590	PULLEY, STARTER	1	1	1	1	1	1
24-1	(A=EXXX)	114699-76591	PULLEY, STARTER (C=EXXX)	1	1	1	1	1	1
26	1	114650-76251	STARTER ASSY, RECOIL	1	1	1	1	1	1
27	2	114880-76520	REEL, RECOIL	1	1	1	1	1	1
28	2	114650-76531	CASE, STARTER	1	1	1	1	1	1
29	2	114870-76530	RATCHET	2	2	2	2	2	2
30	2	114870-76540	SPRING, SPIRAL	1	1	1	1	1	1
31	2	114870-76550	GUIDE, RATCHET	1	1	1	1	1	1
32	2	114870-76560	SPRING, FRICTION	1	1	1	1	1	1
33	2	114870-76570	SPRING KIT, RETURN	2	2	2	2	2	2
34	2	114870-76580	SCREW	1	1	1	1	1	1
36	2	114870-76620	KNOB, STARTER	1	1	1	1	1	1
37	2	114650-76631	ROPE, STARTER	1	1	1	1	1	1
38	1	114660-76592	PULLEY, STARTER	1	1	1	1	1	1
39	1	26106-060082	BOLT M 6X 8 PLATED	4	4	4	4	4	4
40	1	26106-060122	BOLT M 6X 12 PLATED	3	3	3	3	3	3
41	1	114699-45100	FAN CASE(SILVER)(17)	1	1	1	1	1	1
42	1	114656-45102	FAN CASE(SILVER)(17)	1	1	1	1	1	1

7.FUEL INJECTION PUMP

Fig.7. FUEL INJECTION PUMP

(A)=L100AE-DYC  
(B)=L100AE-DEYC  
(C)=L100AE-DEGYC  
(D)=L100AE-DGYC  
(E)=L100AE-DVYC  
(F)=L100AE-DEYIC

REF. LEV. PARTS NO. DESCRIPTION QTY (A) (B) (C) (D) (E) (F)

REF.	LEV.	PARTS NO.	DESCRIPTION	QTY	(A)	(B)	(C)	(D)	(E)	(F)
1	1	714970-51101	PUMP ASSY, F. INJECT.	1	1	1	1	1	1	1
2	2	105546-51020	GASKET	1	1	1	1	1	1	1
3	2	114250-51080	PLATE	1	1	1	1	1	1	1
4	2	114870-51100	BODY, F. I. PUMP	1	1	1	1	1	1	1
8	2	114250-51180	SPRING	1	1	1	1	1	1	1
10	2	114650-51300	VALVE ASSY, DELIVERY	1	1	1	1	1	1	1
13	2	105546-51330	SPRING, DELIV. VALVE	1	1	1	1	1	1	1
14	2	114250-51340	HOLDER, F.I.P. DELIVE	1	1	1	1	1	1	1
15	2	124550-51350	GASKET, DELIVERY	2	2	2	2	2	2	2
16	2	114250-51600	LEVER ASSY, CONTROL	1	1	1	1	1	1	1
17	2	114250-51640	SEAT (A), SPRING	1	1	1	1	1	1	1
18	2	114250-51650	SEAT (B), SPRING	1	1	1	1	1	1	1
19	2	22351-020006	SPRING PIN 2X 6	2	2	2	2	2	2	2
20	2	22351-030008	SPRING PIN 3X 8	1	1	1	1	1	1	1
21	1	714650-53100	VALVE ASSY, F. INJECT.	1	1	1	1	1	1	1
22	2	114650-53000	NOZZLE ASSY, F. INJECT	1	1	1	1	1	1	1
25	2	114250-53080	NUT, NOZZLE CASE	1	1	1	1	1	1	1
26	2	114250-53120	SPRING, NOZZLE	1	1	1	1	1	1	1
27	2	114250-53130	SEAT, NOZZLE SPRING	1	1	1	1	1	1	1
28	2	114250-53140	PLATE, STOP	1	1	1	1	1	1	1
29	2	114250-53210	PIN	2	2	2	2	2	2	2
30	2	114650-53300	HOLDER ASSY, NOZZLE	1	1	1	1	1	1	1
33	3	114250-53331	PIN, SPRING	1	1	1	1	1	1	1
34	2	114250-53400	SHIM PACK	1	1	1	1	1	1	1

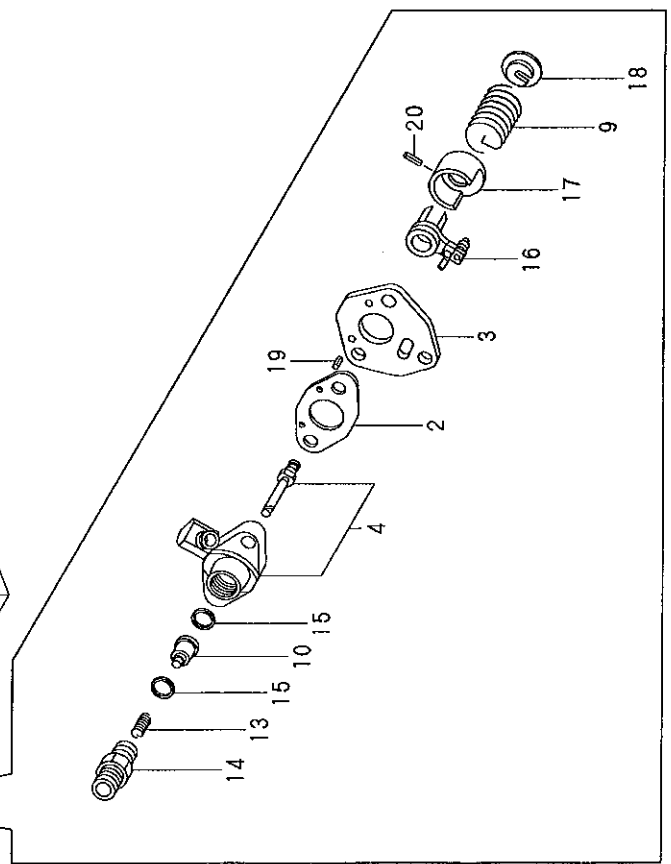
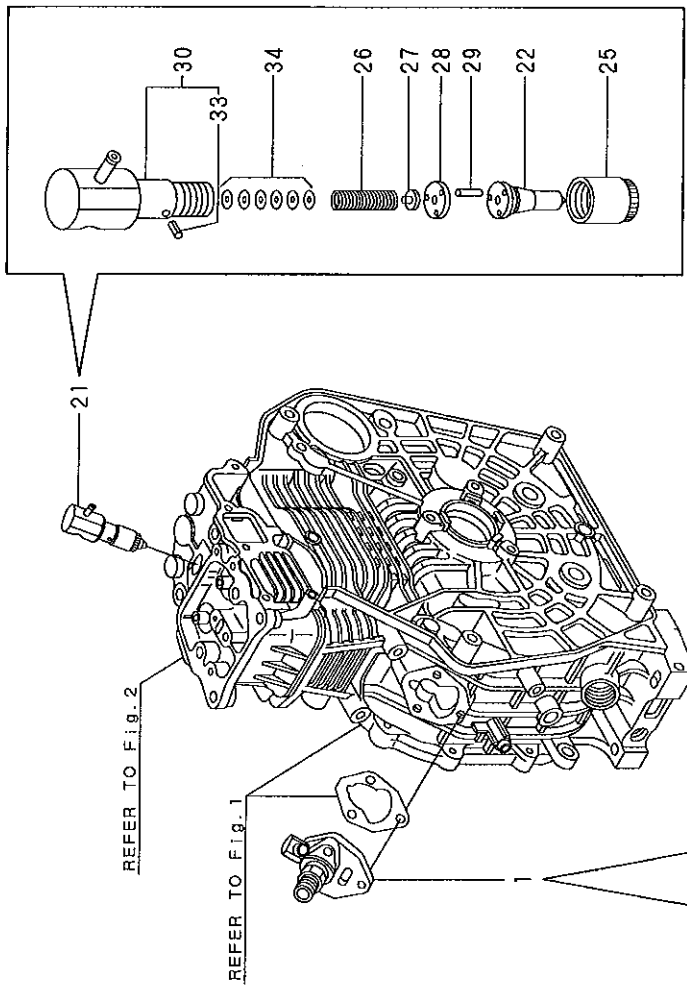
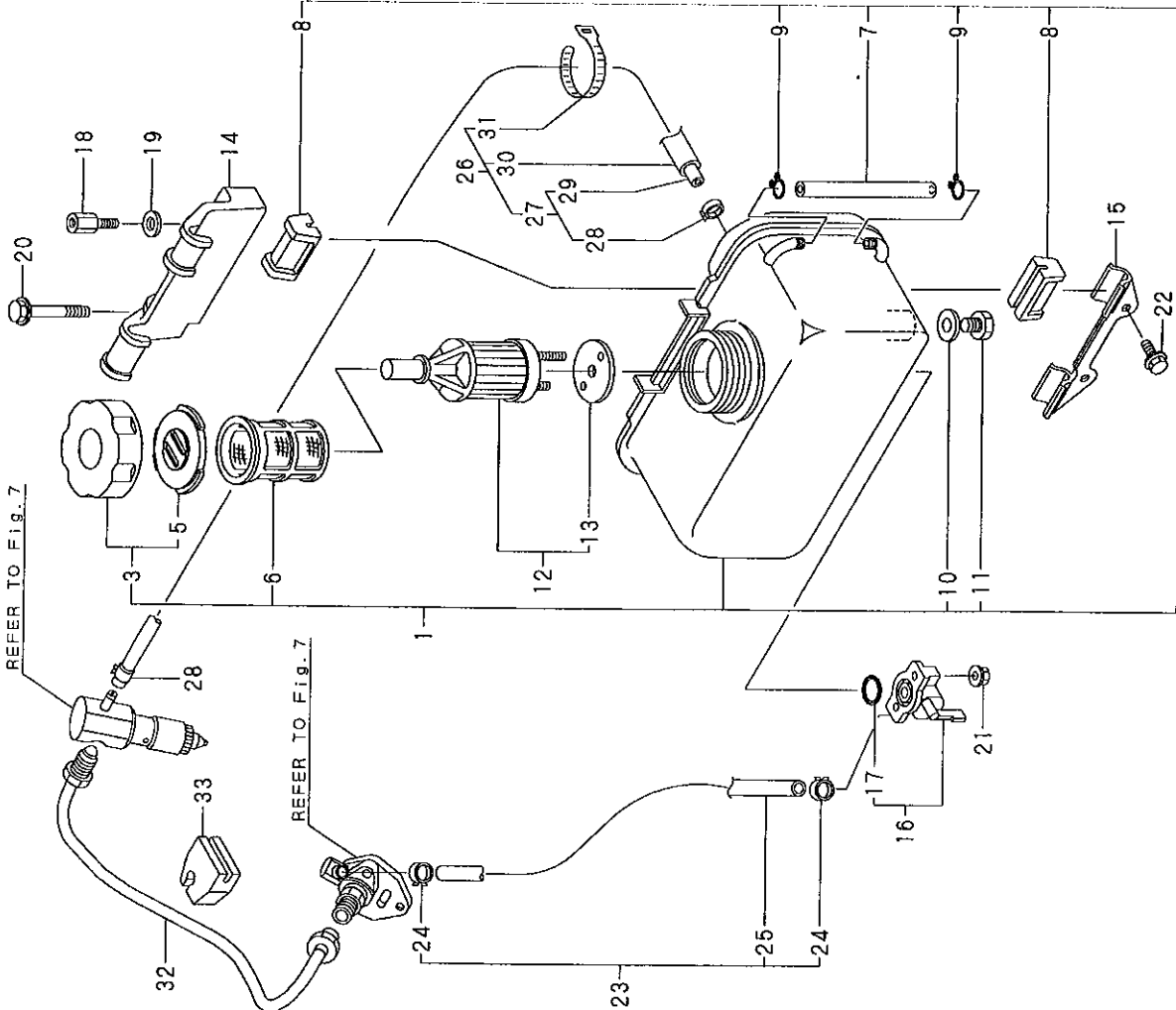




Fig.8.FUEL TANK & FUEL PIPE

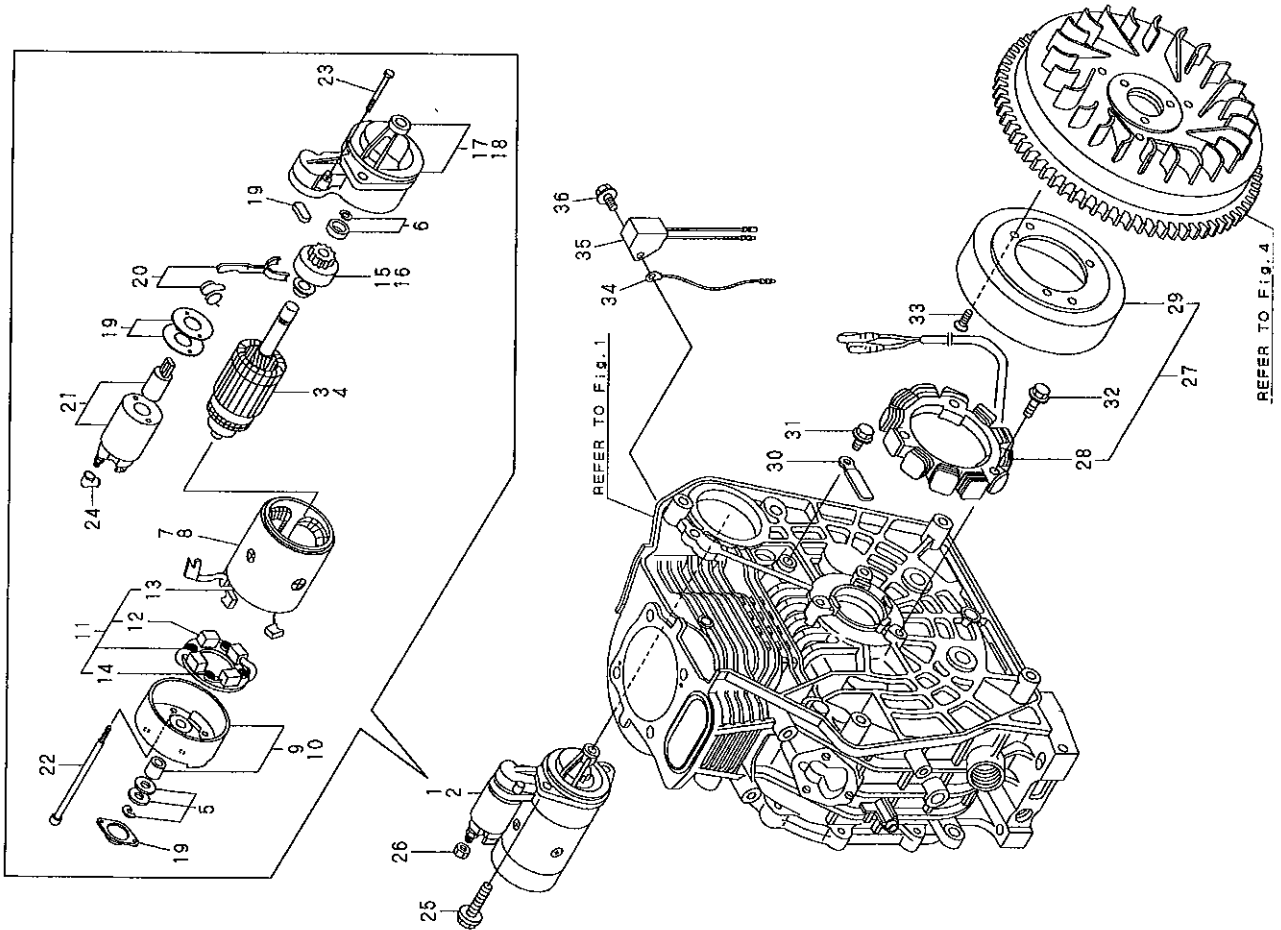


Y00R5530 8.FUEL TANK & FUEL PIPE

(A)=L100AE-DYC  
 (B)=L100AE-DEYC  
 (C)=L100AE-DEGYC  
 (D)=L100AE-DGYC  
 (E)=L100AE-DVYC  
 (F)=L100AE(E)YC

REF.	LEV.	PARTS NO.	DESCRIPTION	QTY					
				(A)	(B)	(C)	(D)	(E)	(F)
1	1	714650-55701	TANK, FUEL (RED)(50)	1	1	1	1	1	1
3	2	114288-55041	CAP ASSY, FUEL TANK	1	1	1	1	1	1
5	3	114288-55081	VALVE	1	1	1	1	1	1
6	2	114250-55100	FILTER, FUEL	1	1	1	1	1	1
7	2	114650-55150	PIPE, GAUGE	1	1	1	1	1	1
8	2	114250-55201	DAMPER, FUEL TANK	4	4	4	4	4	4
9	2	103854-55220	CLAMP	2	2	2	2	2	2
10	2	23414-080000	GASKET 8, ROUND	1	1	1	1	1	1
11	2	105300-55080	PLUG, DRAIN	1	1	1	1	1	1
12	1	114250-55121	FILTER, FUEL OIL	1	1	1	1	1	1
13	2	114250-55130	GASKET	1	1	1	1	1	1
14	1	114699-55230	STAY(B), FUEL TANK	1	1	1	1	1	1
15	1	114298-55210	STAY	1	1	1	1	1	1
16	1	114250-55301	COCK	1	1	1	1	1	1
17	2	24341-000150	O-RING 1A S-15.0	1	1	1	1	1	1
18	1	114650-55810	BOLT, LIFTING	1	1	1	1	1	1
19	1	22117-080000	WASHER 8	1	1	1	1	1	1
20	1	26106-080452	BOLT M 8X 45 PLATED	1	1	1	1	1	1
21	1	26366-060002	NUT M 6	2	2	2	2	2	2
22	1	26476-060142	BOLT M 6X 14, TAPPING	2	2	2	2	2	2
23	1	114770-59030	PIPE ASSY, FUEL OIL	1	1	1	1	1	1
24	2	114270-59010	CLAMP, 12	2	2	2	2	2	2
25	2	114268-59061	PIPE, FUEL OIL	1	1	1	1	1	1
26	1	114652-59300	PIPE, FUEL RETURN	1	1	1	1	1	1
27	2	114652-59100	PIPE ASSY, FUEL OIL	1	1	1	1	1	1
28	3	124722-59050	CLAMP 9	2	2	2	2	2	2
29	3	114650-59060	PIPE, FUEL RETURN	1	1	1	1	1	1
30	2	114652-59310	TUBE, PROTECT	1	1	1	1	1	1
31	2	121750-59890	CLAMP 140	1	1	1	1	1	1
32	1	114650-59801	PIPE, FUEL INJECTION	1	1	1	1	1	1
33	1	114650-59860	BRACKET, PIPE	1	1	1	1	1	1

Fig.9.STARTING MOTOR



Remarks

(1) IT IS NOT USED FOR L100AE-SYC.

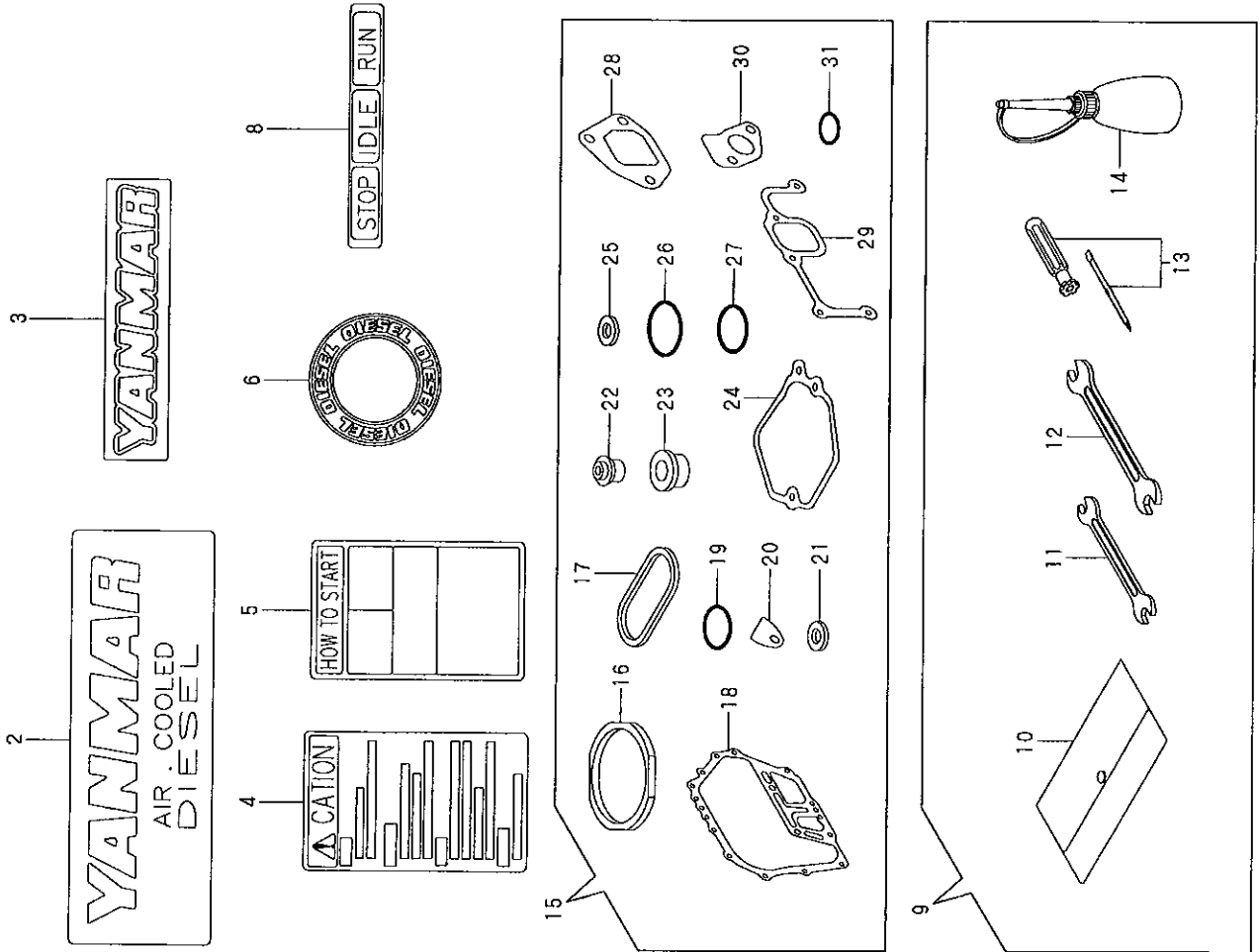
Y00R5530 9.STARTING MOTOR

(A)=L100AE-DYC  
(B)=L100AE-DEYC  
(C)=L100AE-DEGYC

(D)=L100AE-DGYC  
(E)=L100AE-DVYC  
(F)=L100AE-(E)YC

REF.	LEV.	PARTS NO.	DESCRIPTION	(A)	(B)	(C)	(D)	(E)	(F)
1	1	114362-77011	STARTER(S114-651A)	1	1				
2	1	114351-77011	MOTOR ASSY, STARTER			1	1		1
3	2	114381-77110	ARMATURE			1	1		1
4	2	114371-77110	ARMATURE ASSY						
5	2	X2114811000	WASHER KIT, THRUST			1	1		1
6	2	X2114715500	STOPPER SET, PINION			1	1		1
7	2	114381-77130	COIL ASSY, FIELD			1	1		1
8	2	114371-77130	COIL ASSY, FIELD						
9	2	114381-77140	COVER, REAR			1	1		1
10	2	114371-77140	REAR COVER ASSY						
11	2	114371-77160	HOLDER ASSY, BRUSH			1	1		1
12	3	114371-79040	BRUSH (C)			2	2		2
13	3	114371-79050	BRUSH (*)			1	1		1
14	3	114371-79060	SPRING, BRUSH			4	4		4
15	2	X211485016	PINION ASSY			1	1		1
16	2	119226-77650	PINION ASSY						
17	2	114381-77151	HOUSING ASSY, GEAR			1	1		1
18	2	114371-77151	HOUSING ASSY, GEAR						
19	2	114371-77170	COVER KIT, DUST			1	1		1
20	2	114371-77180	SHIFT LEVER KIT			1	1		1
21	2	124298-77020	SWITCH, MAGNET			1	1		1
22	2	124195-77770	THROUGH BOLT			2	2		2
23	2	114371-79070	BOLT M6			2	2		2
24	2	X2114274200	COVER (A), RUBBER			1	1		1
25	1	26106-100302	BOLT M10X 30 PLATED			2	2		2
26	1	26716-080002	NUT M 8			1	1		1
27	1	114399-78250	DINAMO ASSY, 1A			1	1		1
28	2	114399-78710	STATOR ASSY			1	1		1
29	2	114399-78720	WHEEL, DYNAMO			1	1		1
30	1	160710-78710	CLAMP, WIRE			1	1		1
31	1	26106-060122	BOLT M 6X 12 PLATED			1	1		1
32	1	26106-060202	BOLT M 6X 20 PLATED			3	3		3
33	1	26577-060142	SCREW M 6X 14			3	3		3
34	1	183350-77400	WIRE, LEAD			1	1		1
35	1	160970-77350	RECTIFIER			1	1		1
36	1	26106-060122	SCREW M 6X 14			1	1		1

Fig. 10. TOOL, LABEL & GASKET SET



Y00R5530 10. TOOL, LABEL & GASKET SET

(A)=L100AE-DYC  
(B)=L100AE-DEYC  
(C)=L100AE-DEGYC

(D)=L100AE-DGYC  
(E)=L100AE-DVYC  
(F)=L100AE-SEIYEC

REF. LEV. PARTS NO. DESCRIPTION

REF.	LEV.	PARTS NO.	DESCRIPTION	QTY					
				(A)	(B)	(C)	(D)	(E)	(F)
2	1	114299-07100	LABEL, AIR COOLED	1	1	1	1	1	1
3	1	114299-07110	LABEL, YANMAR	1	1	1	1	1	1
4	1	114299-07120	LABEL, CAUTION	1	1	1	1	1	1
5	1	114299-07140	LABEL, HOW TO START	1	1	1	1	1	1
6	1	114299-07160	LABEL, DIESEL	1	1	1	1	1	1
8	1	183250-07230	LABEL, OPERATION	1	1	1	1	1	1
9	1	114299-92590	TOOL ASSY	1	1	1	1	1	1
10	2	114299-92600	BAG, TOOL	1	1	1	1	1	1
11	2	114299-92710	SPANNER	1	1	1	1	1	1
12	2	114299-92720	SPANNER	1	1	1	1	1	1
13	2	114298-92730	DRIVER	1	1	1	1	1	1
14	2	114299-92740	FITTING, FUEL	1	1	1	1	1	1
15	1	714988-92610	GASKET SET	1	1	1	1	1	1
16	2	114699-01330	GASKET, CYL. HEAD	1	1	1	1	1	1
17	2	114699-01380	O-RING, TAPPET	1	1	1	1	1	1
18	2	114699-01410	GASKET, CRANK COVER	1	1	1	1	1	1
19	2	114298-01950	O-RING 18	1	1	1	1	1	1
20	2	114299-01840	GASKET, FUEL PUMP	1	1	1	1	1	1
21	2	22190-160002	WASHER, SEAL 16	2	2	2	2	2	2
22	2	114650-11340	SEAL, VALVE STEM	2	2	2	2	2	2
23	2	114250-11460	GASKET, NOZZLE	1	1	1	1	1	1
24	2	114699-11320	GASKET, BONNET	1	1	1	1	1	1
25	2	23414-080000	GASKET 8, ROUND	1	1	1	1	1	1
26	2	114299-32570	O-RING, COVER	1	1	1	1	1	1
27	2	24341-000224	O-RING 1A S-22.4	1	1	1	1	1	1
28	2	114699-12210	GASKET, CLEANER	1	1	1	1	1	1
29	2	114699-12200	GASKET, INTAKE	1	1	1	1	1	1
30	2	114699-13200	GASKET, MUFFLER	1	1	1	1	1	1
31	2	24341-000150	O-RING 1A S-15.0	1	1	1	1	1	1

Remarks  
(1)OPTIONAL