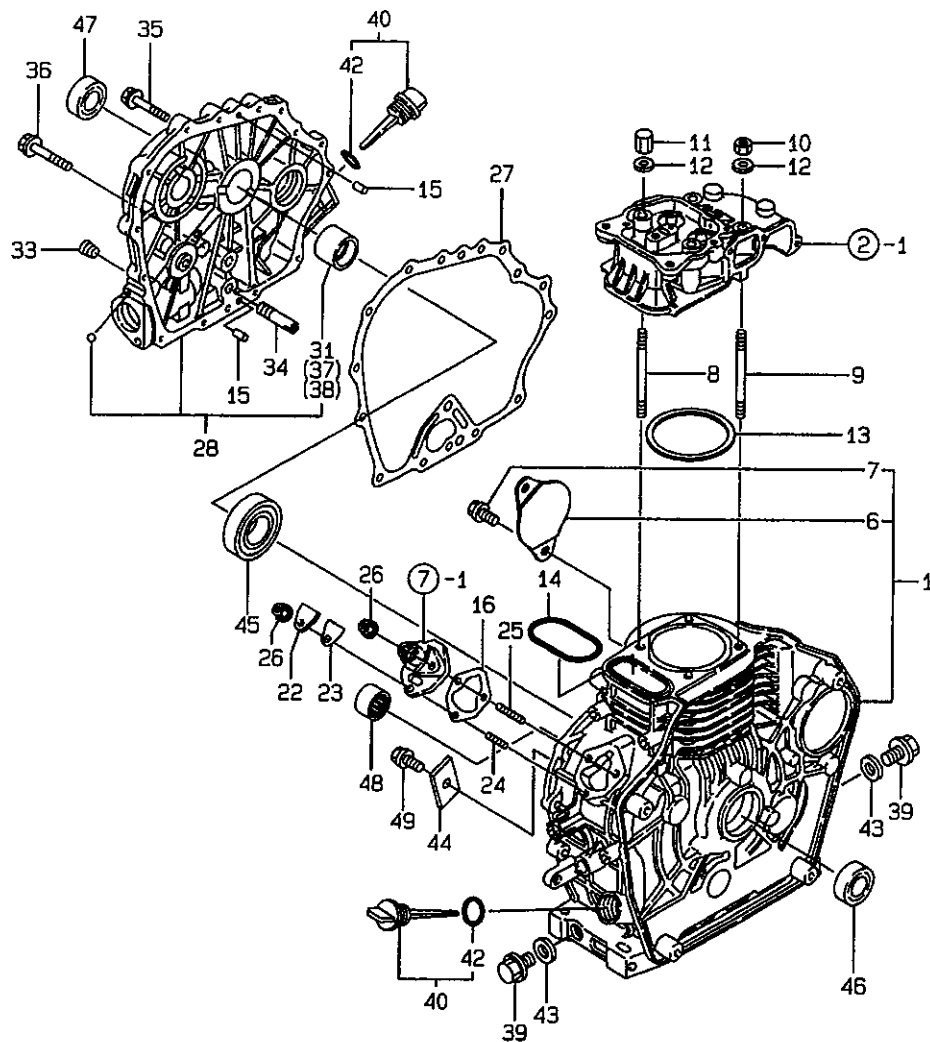


Fig.1.CYLINDER BLOCK

1.CYLINDER BLOCK



Y00V7980 1.CYLINDER BLOCK

(A)=L40AE-DVYC
(B)=L40AE-DVAYC
(C)=

(D)=
(E)=
(F)=

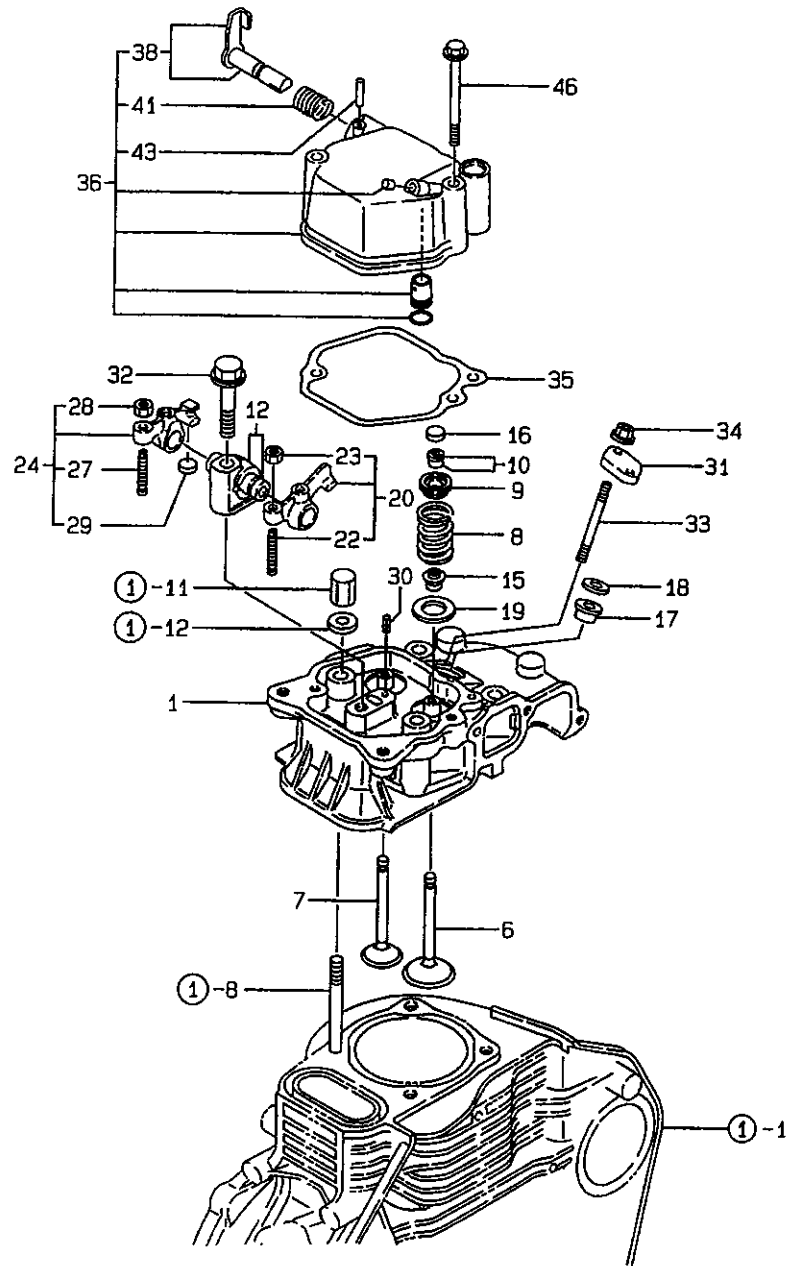
REF.	LEV.	PARTS NO.	DESCRIPTION	Q'TY						
				(A)	(B)	(C)	(D)	(E)	(F)	
1	1	714271-01560	BLOCK ASSY, CYLINDER	1	1					
6	2	114399-01700	COVER, STARTER	1	1					
7	2	26106-100122	BOLT M10X 12 PLATED	2	2					
8	1	114250-01200	STUD, CYL. HEAD	2	2					
9	1	114250-01210	STUD, CYL. HEAD	2	2					
10	1	114250-01221	NUT 8	2	2					
11	1	114299-01230	HEAD NUT(B	2	2					
12	1	124950-01250	WASHER	4	4					
13	1	114299-01340	GASKET, HEAD	1	1					
14	1	114250-01380	O-RING	1	1					
15	1	114270-01600	PARALLEL PIN 8X12	2	2					
16	1	114299-01800	SHIM SET	1	1					
22	1	114299-01830	COVER,(FO PUMP	1	1					
23	1	114250-01841	GASKET	1	1					
24	1	26226-060182	STUD M 6X 18 PLATED	1	1					
25	1	26226-060222	STUD M 6X 22 PLATED	2	2					
26	1	26366-060002	NUT M 6	3	3					
27	1	114299-01410	GASKET, CRANK CASE	1	1					
28	1	114260-01455	COVER (D),CRANK CASE	1	1					
31	2	114250-02100	BEARING, MAIN	1	1					1
33	1	23876-010000	PLUG PT1/8,SCREW	1	1					
34	1	114250-35150	PIPE, L.O. INLET	1	1					
35	1	26106-060252	BOLT M 6X 25 PLATED	14	14					
36	1	26106-080352	BOLT M 8X 35 PLATED	1	1					
37	1	114250-02200	MAIN BEARING US=0.25	1	1					2
38	1	114250-02210	MAIN BEARING US=0.50	1	1					2
39	1	105425-01690	PLUG M16	2	2					
40	1	114299-01760	CAP, W/LUB.OIL GAUGE	2	2					
42	2	114299-01950	O-RING	2	2					
43	1	22190-160002	SEAL WASHER 16S	2	2					
44	1	114299-02030	RETAINER	1	1					
45	1	114250-02113	BALL BEARING	1	1					
46	1	160110-02220	SEAL, OIL	1	1					
47	1	160210-02220	SEAL, OIL	1	1					
48	1	24162-152112	NEEDLE BEARING	1	1					
49	1	26106-080122	BOLT M 8X 12 PLATED	1	1					

Remarks

- (1) REPAIR PART.
- (2) UNDER-SIZED PART.

Fig.2.CILINDER HEAD & BONNET

2.CYLINDER HEAD & BONNET



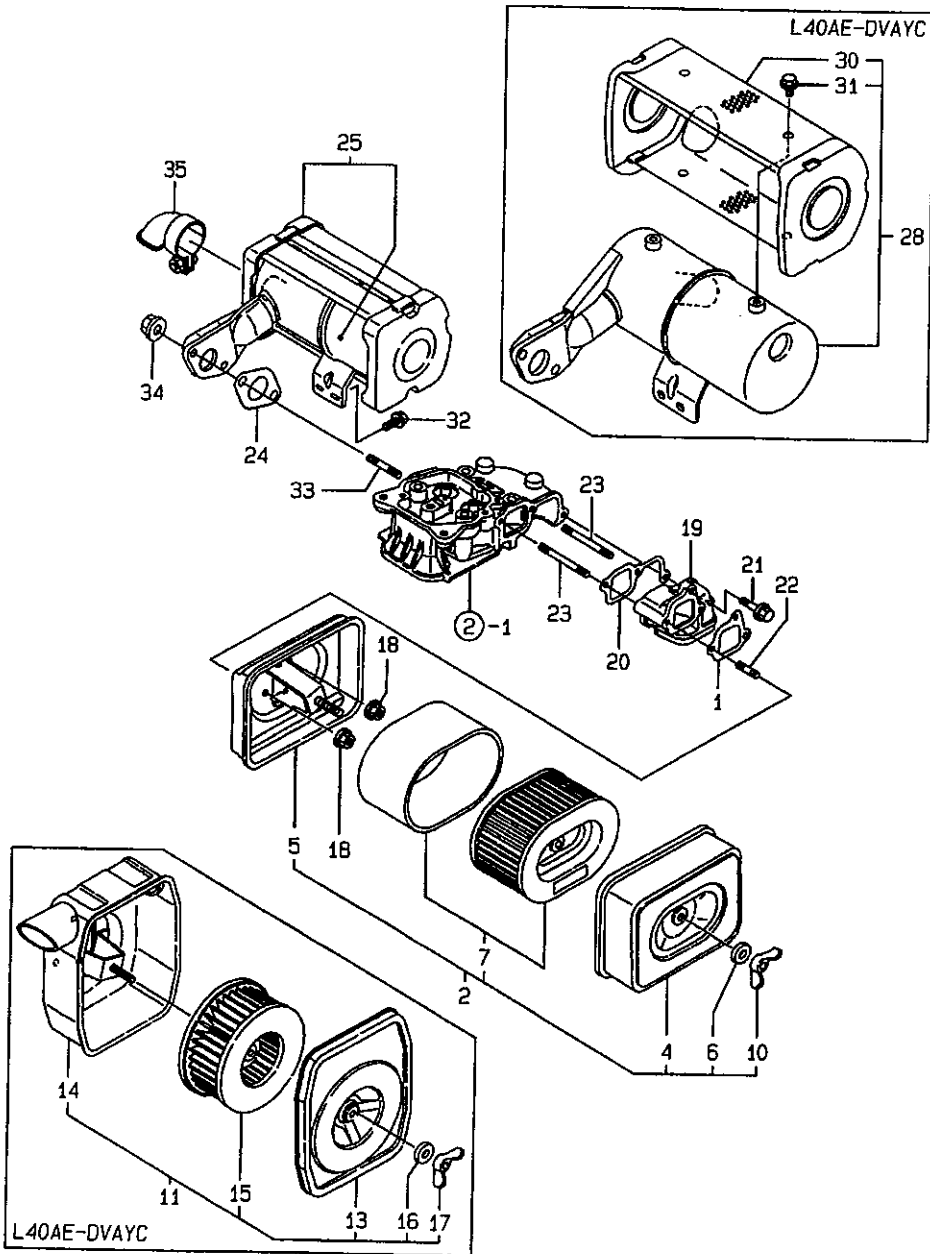
(A)=L40AE-DVYC
(B)=L40AE-DVAYC
(C)=

(D)=
(E)=
(F)=

REF.	LEV.	PARTS NO.	DESCRIPTION	Q'TY						
				(A)	(B)	(C)	(D)	(E)	(F)	
1	1	114770-11020	HEAD ASSY, CYLINDER	1	1					
6	1	114250-11101	VALVE, SUCTION	1	1					
7	1	114250-11113	VALVE, EXHAUST	1	1					
8	1	114250-11120	SPRING, VALVE	2	2					
9	1	114250-11180	RETAINER, SPRING	2	2					
10	1	714250-11570	COTTER ASSY	2	2					
12	1	114250-11290	SUPPORT, ROCKER ARM	1	1					
15	1	114250-11340	SEAL, VALVE STEM	2	2					
16	1	119260-11370	CAP, VALVE	1	1					
17	1	114250-11460	GASKET, NOZZLE	1	1					
18	1	114350-11470	SPACER, NOZZLE	1	1					
19	1	114250-11600	WASHER	2	2					
20	1	114250-11651	ARM ASSY, INTAKE	1	1					
22	2	114250-11240	SCREW, VALVE ADJUST.	1	1					
23	2	26856-060002	LOCK NUT 6	1	1					
24	1	714270-11660	ARM ASSY, EXHAUST	1	1					
27	2	114250-11240	SCREW, VALVE ADJUST.	1	1					
28	2	26856-060002	LOCK NUT 6	1	1					
29	2	119260-11370	CAP, VALVE	1	1					
30	1	22351-040008	SPRING PIN 4X 8	1	1					
31	1	114299-11900	RETAINER, NOZZLE	1	1					
32	1	26106-080452	BOLT M 8X 45 PLATED	1	1					
33	1	26226-060502	STUD M 6X 50	2	2					
34	1	26366-060002	NUT M 6	2	2					
35	1	114250-11311	GASKET, BONNET	1	1					
36	1	114288-11950	BONNET ASSY, HEAD	1	1					
38	2	114288-03590	DECOMPRESSION ASSY	1	1					
41	2	114250-03640	SPRING	1	1					
43	2	22312-030160	PARALLEL PIN 3X16	1	1					
46	1	26106-060552	BOLT M 6X 55 PLATED	2	2					

Fig.3.AIR CLEANER & MUFFLER

3. AIR CLEANER & MUFFLER



Y00V7980 3.AIR CLEANER & MUFFLER

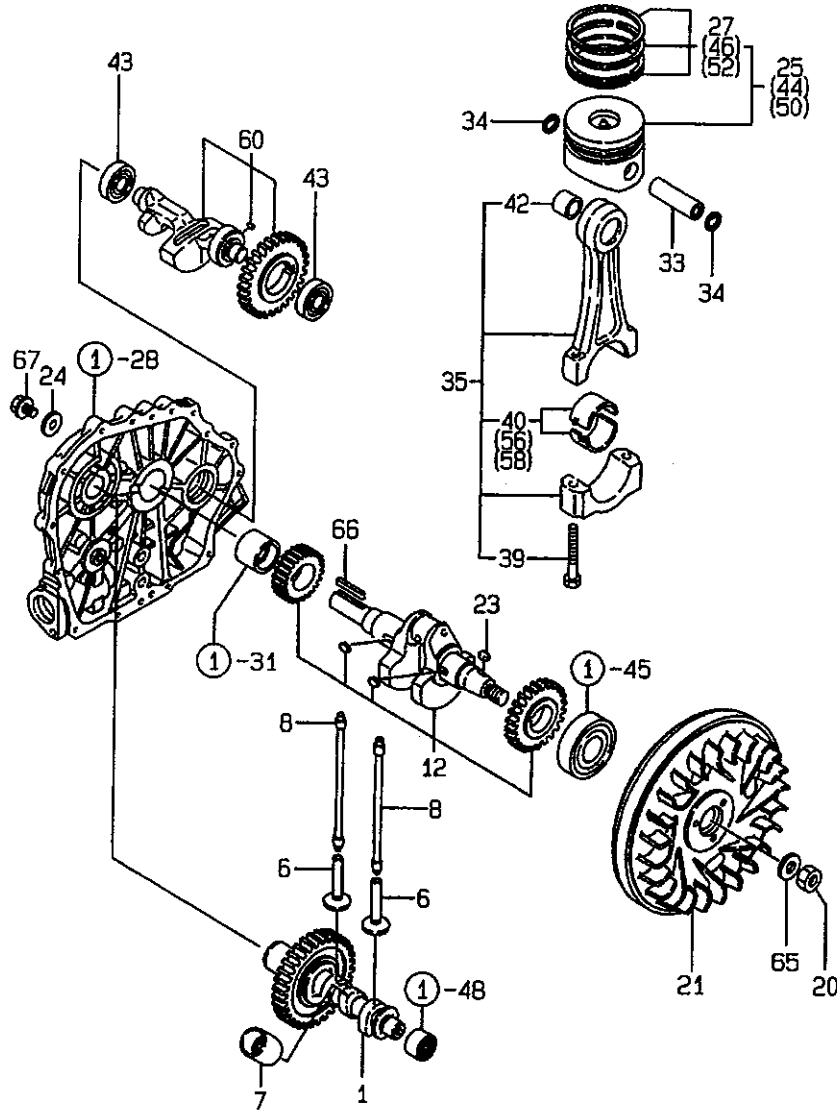
(A)=L40AE-DVYC
(B)=L40AE-DVAYC
(C)=

(D)=
(E)=
(F)=

REF.	LEV.	PARTS NO.	DESCRIPTION	Q'TY					
				(A)	(B)	(C)	(D)	(E)	(F)
1	1	114299-12210	GASKET, AIR CLEANER	1	1				
2	1	714268-12583	CLEANER ASSY, AIR	1					
4	2	114288-12520	COVER COMPL.	1					
5	2	114288-12530	CASE ASSY	1					
6	2	114252-12560	WASHER M 8, SEAL	1					
7	2	114650-12590	ELEMENT W/PRE-FILTER	1					
10	2	114252-12550	WING-NUT, M 8	1					
11	1	714250-12590	CLEANER ASSY, AIR					1	
13	2	114250-12520	COVER, AIR CLEANER					1	
14	2	114250-12980	CASE, AIR CLEANER					1	
15	2	114250-12580	ELEMENT, WET AIR					1	
16	2	114250-12560	WASHER M 6, SEAL					1	
17	2	114250-12550	WING-NUT, M 6					1	
18	1	114250-12300	U-NUT	3	3				
19	1	114299-12010	PIPE, AIR INTAKE	1	1				
20	1	114299-12200	GASKET, AIR INTAKE	1	1				
21	1	26106-060252	BOLT M 6X 25 PLATED	1	1				
22	1	26226-060142	STUD M 6X 14 PLATED	1	1				
23	1	26226-060552	STUD M6X 55 PLATED	2	2				
24	1	114299-13200	GASKET, MUFFLER	1	1				
25	1	114288-13500	MUFFLER ASSY	1					
28	1	114299-13520	MUFFLER					1	
30	2	114299-13700	COVER, MUFFLER					1	
31	2	26106-060082	BOLT M 6X 8 PLATED					4	
32	1	26106-060122	BOLT M 6X 12 PLATED	2	2				
33	1	26216-080182	STUD M 8X 18 PLATED	2	2				
34	1	26366-080002	NUT M 8	2	2				
35	1	114299-13800	DEFLECTOR, (EXH)	1	1				

Fig.4.CRANKSHAFT,PISTON & CAMSHAFT

4.CRANKSHAFT, PISTON & CAMSHAFT



4.CRANKSHAFT,PISTON & CAMSHAFT

(A)=L40AE-DVYC
(B)=L40AE-DVAYC
(C)=

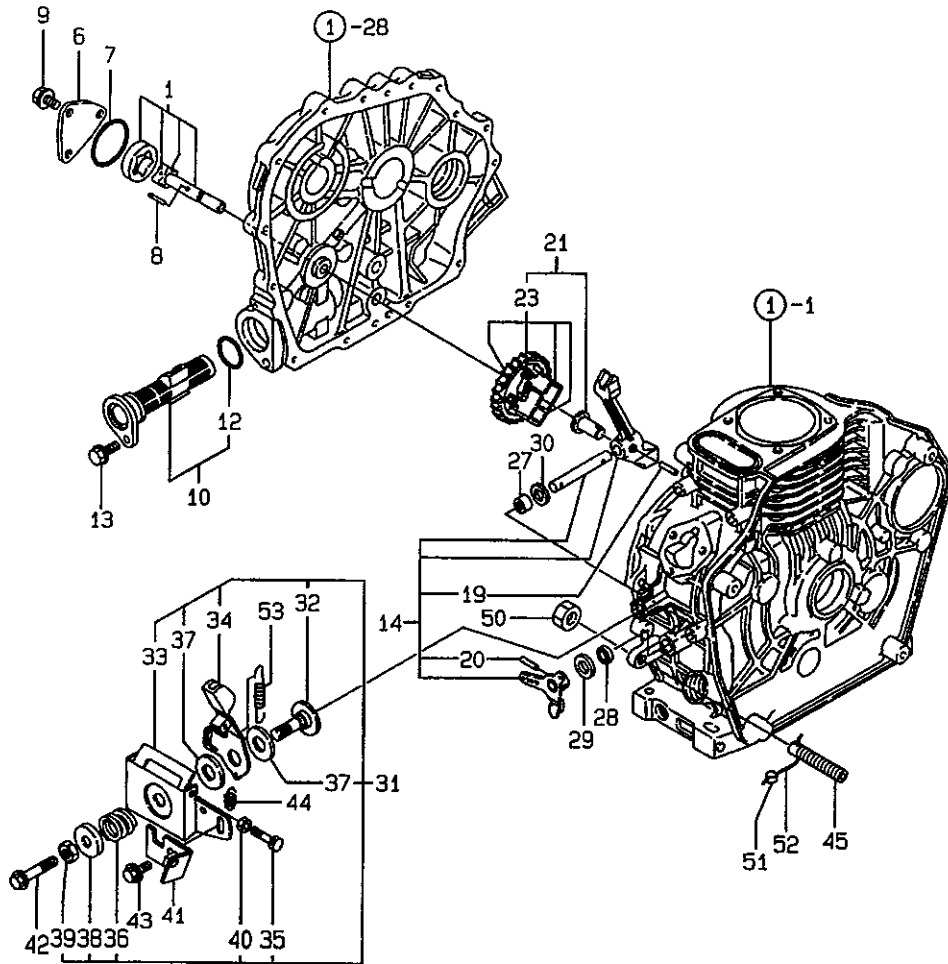
(D)=
(E)=
(F)=

REF.	LEV.	PARTS NO.	DESCRIPTION	Q'TY						
				(A)	(B)	(C)	(D)	(E)	(F)	
1	1	714780-14580	CAMSHAFT (D) ASSY	1	1					
6	1	114250-14200	TAPPET	2	2					
7	1	114771-14260	TAPPET,F.O.	1	1					
8	1	114250-14450	ROD, PUSH	2	2					
12	1	714260-21740	CRANKSHAFT ASSY	1	1					
20	1	103854-01221	NUT M16	1	1					
21	1	114299-21400	FLYWHEEL	1	1					
23	1	22512-040120	KEY 4X 12	1	1					
24	1	160310-14550	WASHER	1	1					
25	1	714280-22720	PISTON WRINGS	1	1					
27	2	714250-22502	RING SET, PISTON	1	1					
33	1	114299-22300	PIN, PISTON	1	1					
34	1	22252-000190	CIRCLIP 19	2	2					
35	1	714770-23700	ROD ASSY, CONNECTING	1	1					
39	2	119265-23200	BOLT, ROD	2	2					
40	2	714770-23600	BEARING, CRANKPIN	1	1					
42	2	114770-23100	BUSH, PISTON PIN	1	1					
43	1	24101-062024	BALL BEARING	2	2					
44	1	714280-22620	PISTON W/RING OS= .25	1	1					1
46	2	714250-22542	RING SET O.S=.25	1	1					1
50	1	714280-22580	PISTON W/RING OS=.50	1	1					1
52	2	714250-22550	RING SET O.S=.50	1	1					1
56	1	714250-23610	BEARING,PIN(U.S=.25	1	1					2
58	1	714250-23620	BEARING,PIN(U.S=.50	1	1					2
60	1	714770-28510	SHAFT ASSY, BALANCER	1	1					
65	1	114250-21550	WASHER, FLYWHEEL	1	1					
66	1	22512-050300	KEY 5X 30	1	1					
67	1	26106-080202	BOLT M 8X 20 PLATED	1	1					

Remarks
(1) OVER-SIZED PART.
(2) UNDER-SIZED PART.

Fig.5.LUB.OIL PUMP & GOVERNOR

5.LUB.OIL PUMP & GOVERNOR



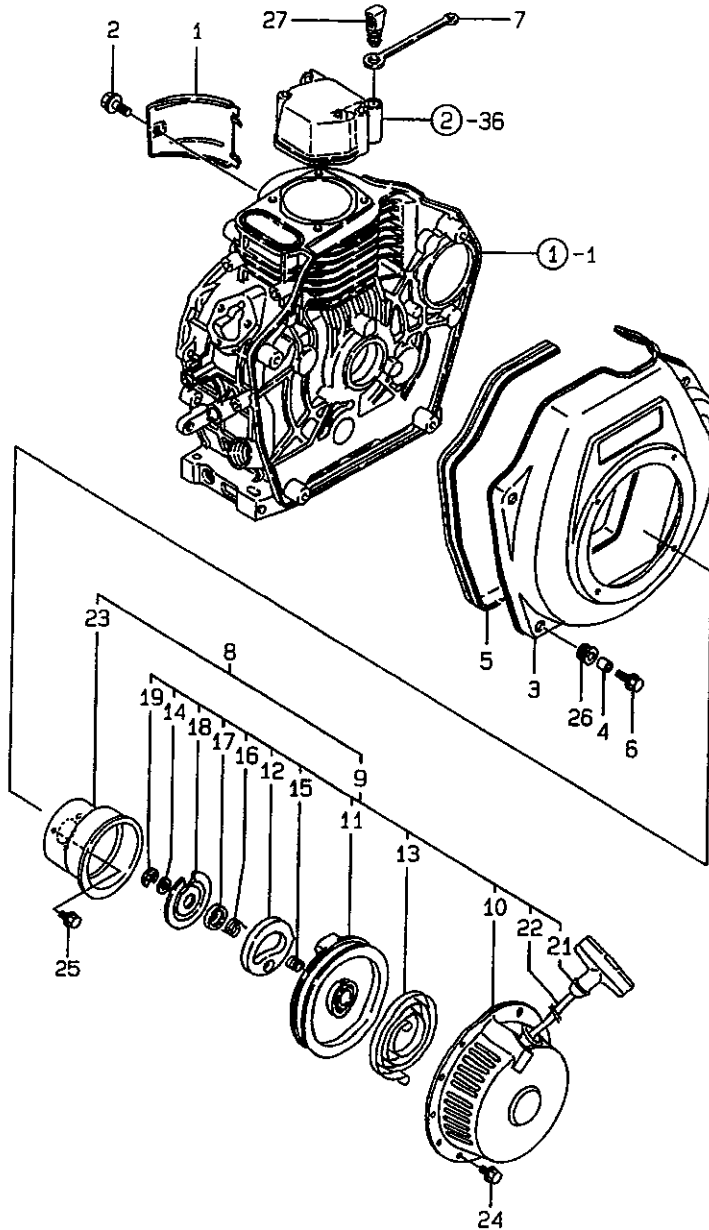
(A)=L40AE-DVYC
(B)=L40AE-DVAYC
(C)=

(D)=
(E)=
(F)=

REF.	LEV.	PARTS NO.	DESCRIPTION	Q'TY						
				(A)	(B)	(C)	(D)	(E)	(F)	
1	1	114250-32010	PUMP ASSY, LUB.OIL	1	1					
6	1	114299-32070	COVER, LUB. OIL PUMP	1	1					
7	1	103338-32570	O-RING	1	1					
8	1	22312-030160	PARALLEL PIN 3X16	1	1					
9	1	26476-060142	BOLT M 6X 14, TAPPING	3	3					
10	1	114299-35110	FILTER CMP, LUB.OIL	1	1					
12	2	24341-000224	O-RING 1A S-22.4	1	1					
13	1	26106-060162	BOLT M 6X 16 PLATED	1	1					
14	1	714250-61500	LEVER ASSY, GOVERNOR	1	1					
19	2	22322-030200	TAPER PIN 3X20	1	1					
20	2	22322-030200	TAPER PIN 3X20	1	1					
21	1	714299-61700	GOVERNOR ASSY	1	1					
23	2	114299-61210	WEIGHT ASSY, GOVERNOR	1	1					
27	1	114770-61520	BEARING, NEEDLE	2	2					
28	1	114770-61600	SEAL, OIL	1	1					
29	1	114770-61610	WASHER, THRUST	1	1					
30	1	114770-61190	WASHER	1	1					
31	1	114254-66200	BRACKET ASSY, REGULAT	1	1					
32	2	183250-66070	SHAFT, HANDLE	1	1					
33	2	183250-66100	BRACKET, REGULATOR	1	1					
34	2	114254-66210	HANDLE, REGULATOR	1	1					
35	2	114250-66440	BOLT, ADJUSTING	1	1					
36	2	104200-66820	SPRING	1	1					
37	2	104200-66830	PLATE, FRICTION	2	2					
38	2	104200-66850	WASHER (B)	1	1					
39	2	26696-100002	LOCK NUT M10	1	1					
40	2	26757-060002	NUT 6	1	1					
41	1	114254-66220	SUPPORT	1	1					
42	1	26106-060452	BOLT M 6X 45 PLATED	1	1					
43	1	26476-060142	BOLT M 6X 14, TAPPING	1	1					
44	1	114299-66200	SPRING, RETURN	1	1					
45	1	114250-66550	TORQUE SPRING ASSY	1	1					
50	1	26776-100002	LOCK NUT M10 PLATED	1	1					
51	1	135210-61090	LEAD	2	2					
52	1	22451-060000	WIRE 0.6	2	2					
53	1	114299-66010	SPRING, REGULATOR	1	1					

Fig.6.COOLING & STARTING DEVICE

6.COOLING & STARTING DEVICE



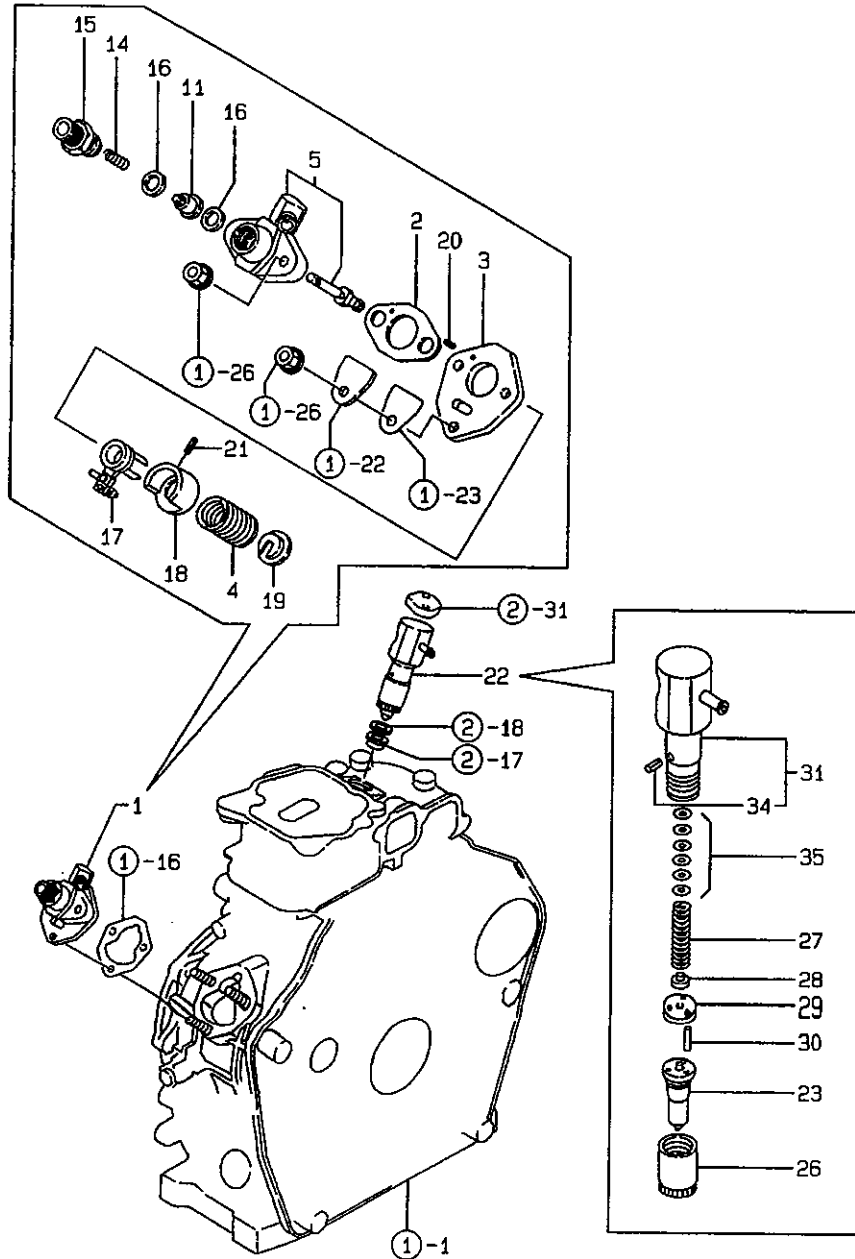
(A)=L40AE-DVYC
(B)=L40AE-DVAYC
(C)=

(D)=
(E)=
(F)=

REF.	LEV.	PARTS NO.	DESCRIPTION	QTY						I	R
				(A)	(B)	(C)	(D)	(E)	(F)		
1	1	114299-45210	COVER, CYLINDER	1	1						
2	1	26106-060122	BOLT M 6X 12 PLATED	1	1						
3	1	114299-45110	CASE, D(COOLING FAN-B	1	1						
4	1	114250-45310	COLLAR	4	4						
5	1	114250-45330	SEAL, FAN CASE	1	1						
6	1	114370-45351	BOLT, FAN CASE	4	4						
7	1	114299-76610	HOLDER, PLUNGER	1	1						
8	1	114260-76051	RECOIL STARTER(D)ASY	1	1						
9	2	114260-76251	RECOIL STARTER(D)ASY	1	1						
10	3	114260-76520	CASE (D) W/NO LABEL	1	1						
11	3	160260-76520	REEL, RECOIL	1	1						
12	3	160260-76530	RATCHET	1	1						
13	3	160260-76540	SPRING, SPIRAL	1	1						
14	3	160260-76550	WASHER, THRUST	1	1						
15	3	160260-76560	SPRING, FRICTION	1	1						
16	3	160290-76570	SPRING, RETURN	1	1						
17	3	160260-76580	COVER, SPRING	1	1						
18	3	160260-76590	PLATE, FRICTION	1	1						
19	3	160260-76600	CIRCLIP(E)	1	1						
21	3	114250-76620	KNOB, STARTER	1	1						
22	3	160260-76630	ROPE, STARTER	1	1						
23	2	114250-76590	PULLEY, STARTER	1	1						
24	1	26106-060082	BOLT M 6X 8 PLATED	4	4						
25	1	26106-060122	BOLT M 6X 12 PLATED	3	3						
26	1	114250-45301	RUBBER, CUSHION	4	4						
27	1	114250-76600	PLUNGER	1	1						

Fig.7.FUEL INJECTION PUMP

7.FUEL INJECTION PUMP



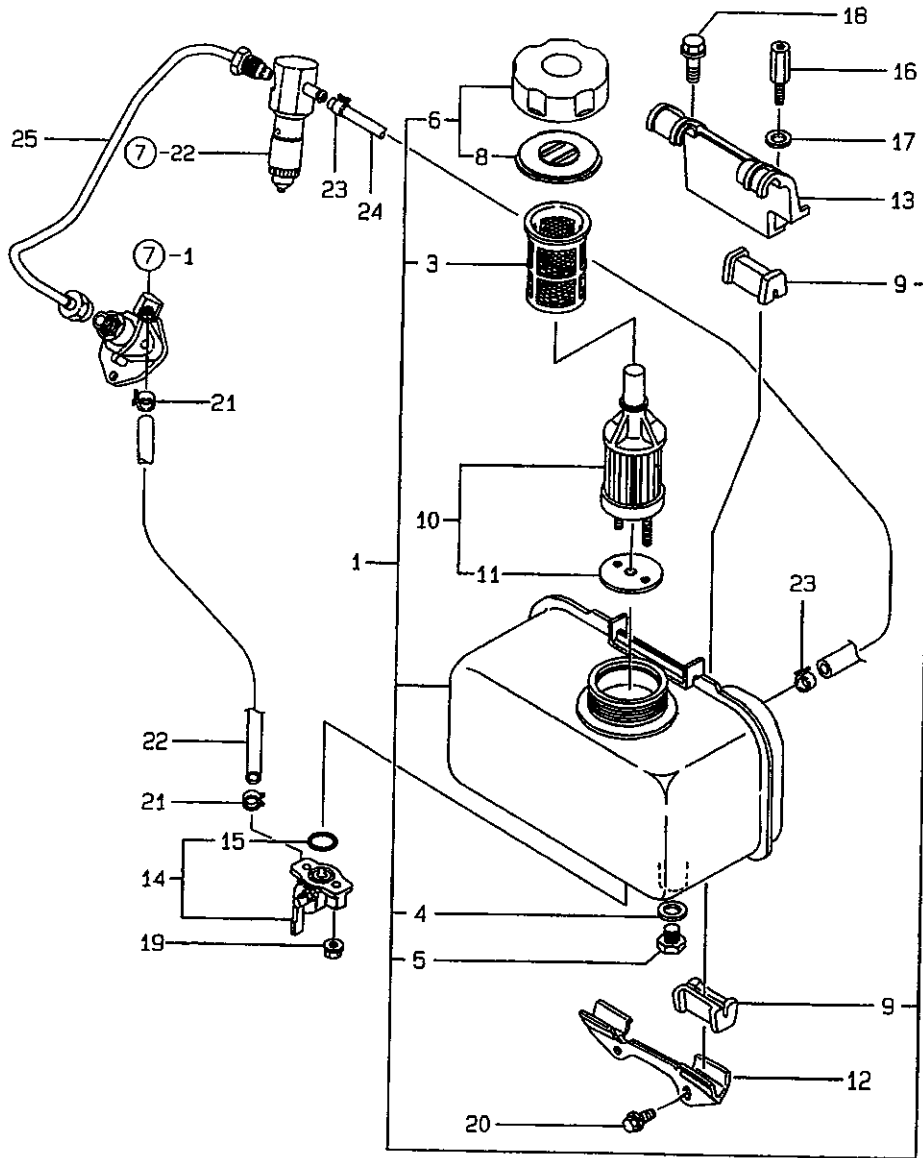
(A)=L40AE-DVYC
(B)=L40AE-DVAYC
(C)=

(D)=
(E)=
(F)=

REF.	LEV.	PARTS NO.	DESCRIPTION	Q'TY					
				(A)	(B)	(C)	(D)	(E)	(F)
1	1	714250-51710	PUMP ASSY, F.INJECT.	1	1				
2	2	105546-51020	GASKET	1	1				
3	2	114250-51080	PLATE	1	1				
4	2	114250-51160	SPRING	1	1				
5	2	114250-51200	BODY, F.I. PUMP	1	1				
11	2	114250-51300	VALVE ASSY, DELIVERY	1	1				
14	2	105546-51330	SPRING, DELIV. VALVE	1	1				
15	2	114250-51340	HOLDER, F.I.P.DELIVE	1	1				
16	2	124550-51350	GASKET, DELIVERY	2	2				
17	2	114250-51600	LEVER ASSY, CONTROL	1	1				
18	2	114250-51640	SEAT (A), SPRING	1	1				
19	2	114250-51650	SEAT (B), SPRING	1	1				
20	2	22351-020006	SPRING PIN 2X 6	2	2				
21	2	22351-030008	SPRING PIN 3X 8	1	1				
22	1	714250-53101	VALVE ASSY, F.INJECT	1	1				
23	2	114250-53001	NOZZLE ASSY,F.INJECT	1	1				
26	2	114250-53080	NUT, NOZZLE CASE	1	1				
27	2	114250-53120	SPRING, NOZZLE	1	1				
28	2	114250-53130	SEAT, NOZZLE SPRING	1	1				
29	2	114250-53140	PLATE, STOP	1	1				
30	2	114250-53210	PIN	2	2				
31	2	114250-53300	HOLDER ASSY, NOZZLE	1	1				
34	3	114250-53331	PIN, SPRING	1	1				
35	2	114250-53400	SHIM PACK	1	1				

Fig.8.FUEL TANK & FUEL LINE

8.FUEL TANK & FUEL LINE



Y00V7980 8.FUEL TANK & FUEL LINE

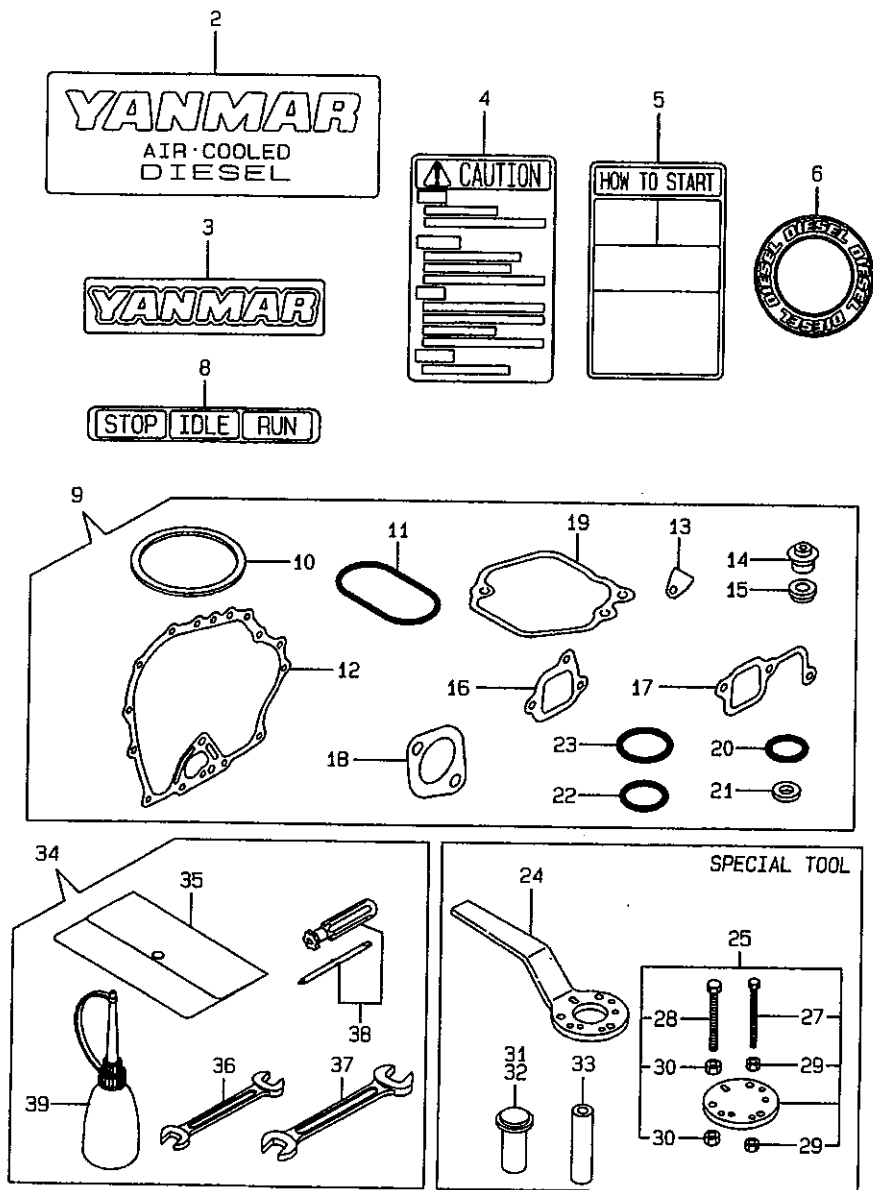
(A)=L40AE-DVYC
(B)=L40AE-DVAYC
(C)=

(D)=
(E)=
(F)=

REF.	LEV.	PARTS NO.	DESCRIPTION	Q'TY						
				(A)	(B)	(C)	(D)	(E)	(F)	
1	1	714299-55710	TANK,FUEL (50)							
3	2	114250-55100	FILTER, FUEL	1	1					
4	2	23414-080000	GASKET 8, ROUND	1	1					
5	2	105300-55080	PLUG, DRAIN	1	1					
6	2	114288-55041	CAP ASSY, FUEL TANK	1	1					
8	3	114288-55081	VALVE	1	1					
9	2	114250-55201	DAMPER, FUEL TANK	4	4					
10	1	114250-55121	FILTER, FUEL OIL	1	1					
11	2	114250-55130	GASKET	1	1					
12	1	114299-55210	STAY	1	1					
13	1	114299-55230	STAY (B)	1	1					
14	1	114250-55300	COCK ASSY, FUEL	1	1					
15	2	24341-000150	O-RING 1A S-15.0	1	1					
16	1	114650-55810	BOLT, LIFTING	1	1					
17	1	22117-080000	WASHER 8	1	1					
18	1	26106-080452	BOLT M 8X 45 PLATED	1	1					
19	1	26366-060002	NUT M 6	2	2					
20	1	26476-060142	BOLT M 6X 14, TAPPING	2	2					
21	1	106990-44660	CLIP, HOSE	2	2					
22	1	114268-59061	PIPE, FUEL OIL	1	1					
23	1	124722-59050	CLAMP 9	2	2					
24	1	114250-59060	PIPE, FUEL RETURN	1	1					
25	1	114250-59800	PIPE, FUEL INJECTION	1	1					

Fig.9.TOOL,LABEL & GASKET SET

9. TOOL, LABEL & GASKET SET



Remarks
(1) OPTIONAL PART.

Y00V7980 9.TOOL,LABEL & GASKET SET

(A)=L40AE-DVYC
(B)=L40AE-DVAYC
(C)=

(D)=
(E)=
(F)=

REF.	LEV.	PARTS NO.	DESCRIPTION	QTY						I	R
				(A)	(B)	(C)	(D)	(E)	(F)		
2	1	114299-07100	LABEL, AIR COOLED	1	1						
3	1	114299-07110	LABEL, YANMAR	1	1						
4	1	114299-07120	LABEL, CAUTION	1	1						
5	1	114299-07140	LABEL, HOW TO START	1	1						
6	1	114299-07160	LABEL, DIESEL	1	1						
8	1	183250-07230	LABEL, OPERATION	1	1						
9	1	714299-92600	GASKET SET	1	1						1
10	2	114299-01340	GASKET, HEAD	1	1						
11	2	114250-01380	O-RING	1	1						
12	2	114299-01410	GASKET, CRANK CASE	1	1						
13	2	114250-01841	GASKET	1	1						
14	2	114250-11340	SEAL, VALVE STEM	2	2						
15	2	114250-11460	GASKET, NOZZLE	1	1						
16	2	114299-12210	GASKET, AIR CLEANER	1	1						
17	2	114299-12200	GASKET, AIR INTAKE	1	1						
18	2	114299-13200	GASKET, MUFFLER	1	1						
19	2	114250-11311	GASKET, BONNET	1	1						
20	2	114299-01950	O-RING	2	2						
21	2	22190-160002	SEAL WASHER 16S	2	2						
22	2	24341-000224	O-RING 1A S-22.4	1	1						
23	2	103338-32570	O-RING	1	1						
24	1	114250-92101	F.W. LOCKING HANDLE	1	1						1
25	1	114250-92130	REMOVER, FLYWHEEL	1	1						1
27	2	26116-080454	BOLT M 6X 45 PLATED	4	4						1
28	2	26116-080454	BOLT M 8X 45 PLATED	3	3						1
29	2	26716-060002	NUT 6	8	8						1
30	2	26716-080002	NUT M 8	6	6						1
31	1	114350-92311	INSTALLING TOOL	1	1						1
32	1	114250-92311	INSTALLING TOOL	1	1						1
33	1	114250-92350	INSTALLING TOOL	1	1						1
34	1	114299-92590	TOOL ASSY	1	1						
35	2	114299-92600	TOOL BAG	1	1						
36	2	114299-92710	SPANNA	1	1						
37	2	114299-92720	SPANNA	1	1						
38	2	114299-92730	DRIVER	1	1						
39	2	114299-92740	FITTING, FUEL	1	1						