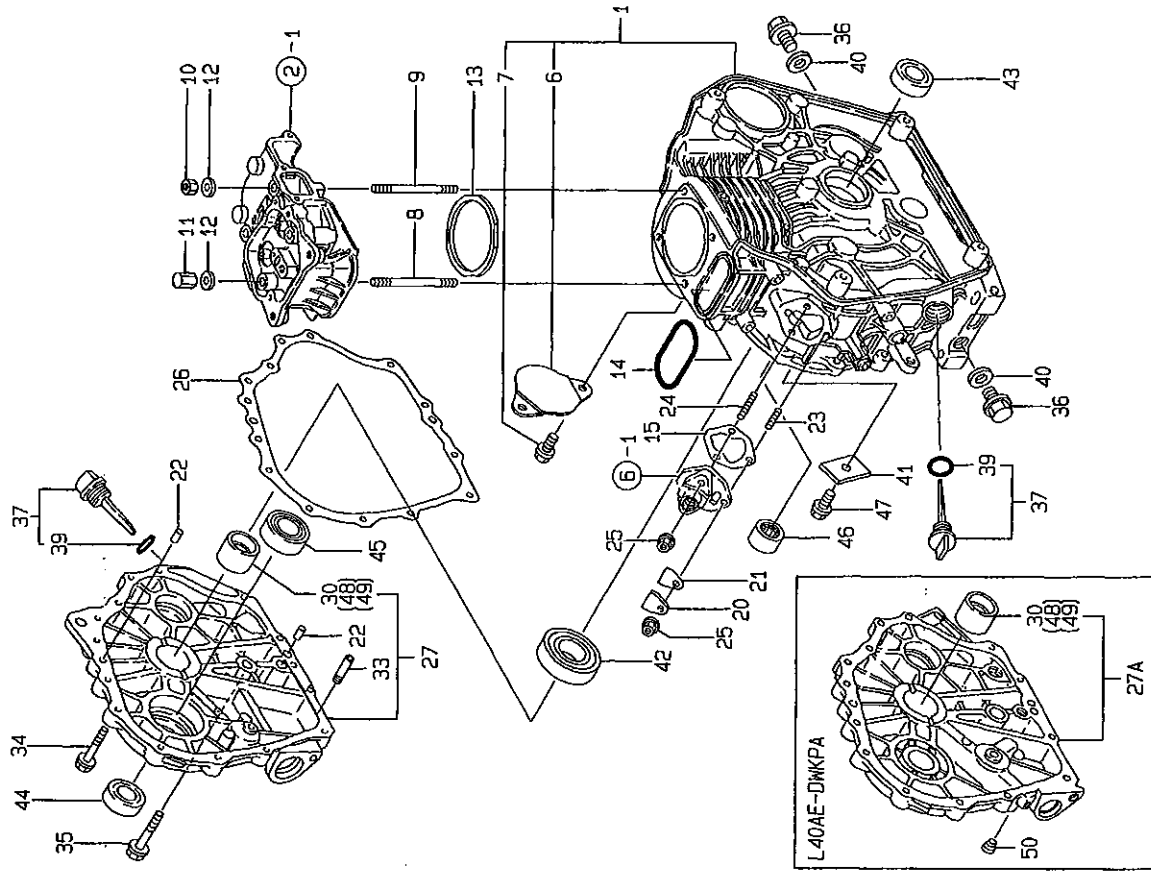


Fig. 1. CYLINDER BLOCK

1. CYLINDER BLOCK



Y00V1311 1. CYLINDER BLOCK

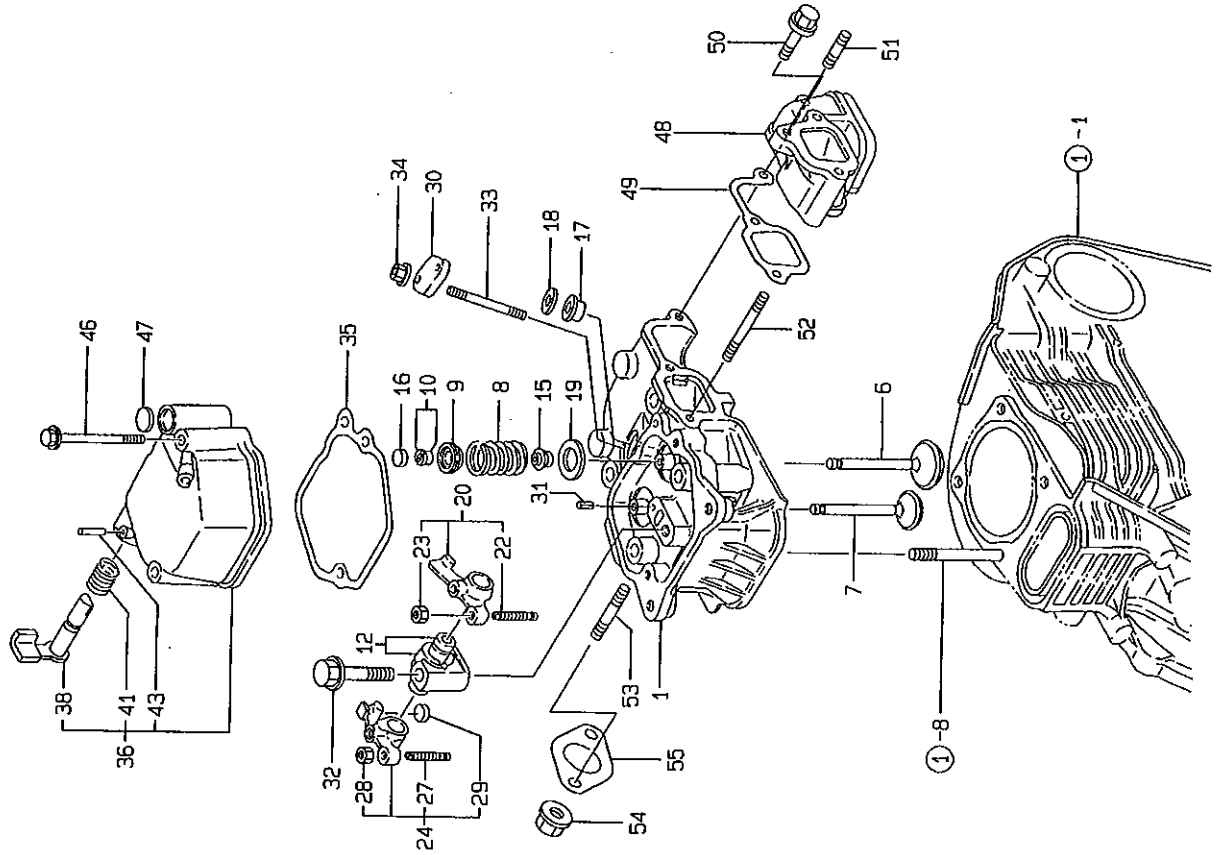
(A)=L40AE-DWK
 (B)=L40AE-DWKPA
 (C)=L40AE-DWK2
 (D)=
 (E)=
 (F)=

REF.	LEV.	PARTS NO.	DESCRIPTION	QTY					
				(A)	(B)	(C)	(D)	(E)	(F)
1		714271-01560	BLOCK ASSY, CYLINDER	1	1	1			
6		114350-01700	COVER, STARTER	1	1	1			
7		26106-100122	BOLT M10X 12 PLATED	2	2	2			
8		114250-01200	STUD, CYL. HEAD	2	2	2			
9		114250-01210	STUD, CYL. HEAD	2	2	2			
10		114250-01220	NUT 8	2	2	2			
11		114250-01250	NUT 8	2	2	2			
12		124950-01250	WASHER	4	4	4			
13		114250-01340	GASKET, CYL. HEAD	1	1	1			
14		114250-01380	O-RING	1	1	1			
15		114250-01800	SHIM SET	1	1	1			
20		114250-01830	COVER, INSPEC. WINDOW	1	1	1			
21		114250-01840	GASKET	1	1	1			
21-1	(A=E69194)	114250-01841	GASKET	1	1	1			
22		22312-080120	PARALLEL PIN 8X12	2	2	2			
22-1	(A=E54246)	114270-01600	PARALLEL PIN 8X12	2	2	2			
23		26226-060182	STUD M 6X 18 PLATED	1	1	1			
24		26226-060222	STUD M 6X 22 PLATED	2	2	2			
25		26366-060002	NUT M 6	3	3	3			
26		114250-01412	GASKET, CRANK CASE	1	1	1			
27		114254-01450	COVER ASSY, CASE	1	1	1			
27-1		114254-01451	COVER ASSY, CASE/DWK	1	1	1			
27A	(A=E61106)	114260-01454	COVER (D), CRANK CASE	1	1	1			
30		114250-02100	BEARING, MAIN	1	1	1			
33		114250-35150	PIPE, L.O. INLET	1	1	1			
34		26106-060252	BOLT M 6X 25 PLATED	14	14	14			
35		26106-080352	BOLT M 8X 35 PLATED	1	1	1			
36		105425-01690	PLUG M16	2	2	2			
37		160710-01760	CAP, W/LUB. OIL GAUGE	2	2	2			
39		24311-000180	O-RING 1A P-18.0	2	2	2			
40		43400-500490	SEAL WASHER 16	2	2	2			
40-1	(A=E46633)	22190-160002	SEAL WASHER 16S	2	2	2			
41		114250-02030	RETAINER, BEARING	1	1	1			
42		114250-02113	BALL BEARING	1	1	1			
43		160110-02220	SEAL, OIL	1	1	1			
44		160210-02220	SEAL, OIL	1	1	1			
45	(A=E61106)	24101-062050	BALL BEARING	1	1	1			
46		24162-152112	NEEDLE BEARING	1	1	1			
47		26106-080122	BOLT M 8X 12 PLATED	1	1	1			
48		114250-02200	MAIN BEARING US=0.25	1	1	1			
49		114250-02210	MAIN BEARING US=0.50	1	1	1			
50		23871-010000	PLUG PT1/8, SCREW	1	1	1			

Remarks
 (1) REPAIR PART.
 (2) UNDER-SIZED PARTS.
 (3) THESE PARTS ARE SOLD BY FIG. 7,
 REF. NO. 6.

Fig.2.CYLINDER HEAD & BONNET

2. CYLINDER HEAD & BONNET



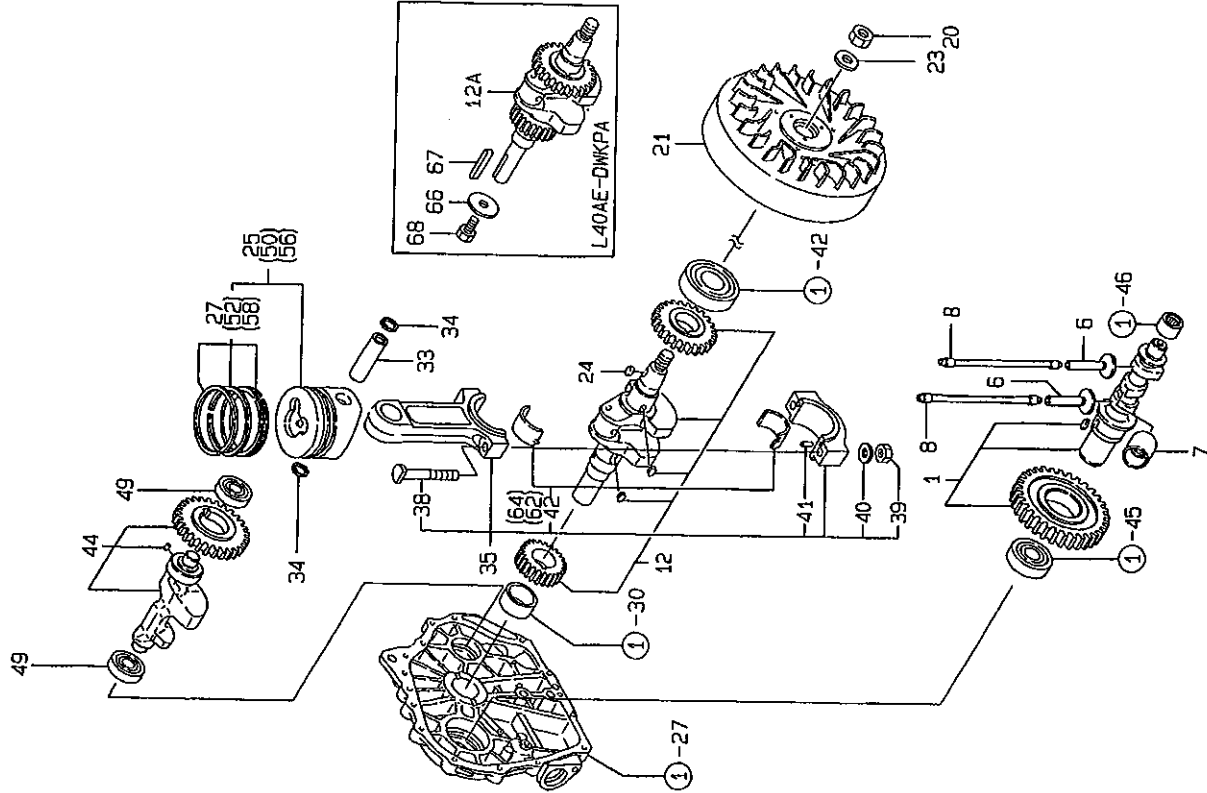
Remarks
(G) THESE PARTS ARE SOLD BY FIG.7.
REF. NO.6.

Y00V1311 2. CYLINDER HEAD & BONNET

(A)=40AE-DWK (D)=
(B)=L40AE-DWKPA (E)=
(C)=L40AE-DWK2 (F)=

REF.	LEV.	PARTS NO.	DESCRIPTION	QTY					
				(A)	(B)	(C)	(D)	(E)	(F)
1	1	114250-11020	HEAD ASSY, CYLINDER	1	1	1	1	1	N
1-1	1	114770-11020	HEAD ASSY, CYLINDER	1	1	1	1	1	N
		(A=1998.09)							
6	1	114250-11101	VALVE, SUCTION	1	1	1	1	1	G
7	1	114250-11113	VALVE, EXHAUST	1	1	1	1	1	G
8	1	114250-11120	SPRING, VALVE	2	2	2	2	2	G
9	1	114250-11180	RETAINER, SPRING	2	2	2	2	2	G
10	1	114250-11570	COTTER ASSY	2	2	2	2	2	G
12	1	114250-11290	SUPPORT, ROCKER ARM	1	1	1	1	1	G
15	1	114250-11340	SEAL, VALVE STEM	2	2	2	2	2	G
16	1	119260-11370	CAP, VALVE	1	1	1	1	1	G
17	1	114250-11460	GASKET, NOZZLE	1	1	1	1	1	G
18	1	114350-11470	SPACER, NOZZLE	1	1	1	1	1	G
19	1	114250-11600	WASHER	2	2	2	2	2	G
20	1	114250-11651	ARM ASSY, INTAKE	1	1	1	1	1	G
22	2	114250-11240	SCREW, VALVE ADJUST.	1	1	1	1	1	G
23	2	26756-060002	LOCK NUT M 6 PLATED	1	1	1	1	1	G
24	1	714270-11680	ARM ASSY, EXHAUST	1	1	1	1	1	G
27	2	114250-11240	SCREW, VALVE ADJUST.	1	1	1	1	1	G
28	2	26756-060002	LOCK NUT M 6 PLATED	1	1	1	1	1	G
29	2	119260-11370	CAP, VALVE	1	1	1	1	1	G
30	1	114250-11900	RETAINER, NOZZLE	1	1	1	1	1	G
31	1	22351-040008	SPRING PIN 4X 8	1	1	1	1	1	G
32	1	26106-080452	BOLT M 8X 45 PLATED	1	1	1	1	1	G
33	1	26226-060502	STUD M 6X 50	2	2	2	2	2	G
34	1	26366-060002	NUT M 6	2	2	2	2	2	G
35	1	114250-11310	GASKET, BONNET	1	1	1	1	1	G
35-1	1	114250-11311	GASKET, BONNET	1	1	1	1	1	G
		(A=E69194)							
36	1	114250-11951	BONNET ASSY, HEAD	1	1	1	1	1	N
36-1	1	114288-11960	BONNET ASSY	1	1	1	1	1	N
		(A=E69194)							
38	2	114250-03591	SHAFT ASSY, DECOMP.	1	1	1	1	1	R
38-1	2	114288-03580	SHAFT ASSY, DECOMP.	1	1	1	1	1	R
		(A=E69194)							
41	2	114250-03640	SPRING	1	1	1	1	1	N
41-1	2	114288-03640	SPRING	1	1	1	1	1	N
		(A=E69194)							
43	2	22312-030160	PARALLEL PIN 3X16	1	1	1	1	1	N
46	1	26106-060552	BOLT M 6X 55 PLATED	2	2	2	2	2	G
47	1	129100-61850	PLUG 12, BORE	1	1	1	1	1	G
48	1	114250-12010	PIPE, AIR INTAKE	1	1	1	1	1	G
49	1	114250-12200	GASKET, AIR INTAKE	1	1	1	1	1	G
49-1	1	114250-12201	GASKET, AIR INTAKE	1	1	1	1	1	G
		(A=E69194)							
50	1	26106-060252	BOLT M 6X 25 PLATED	1	1	1	1	1	G
51	1	26226-060142	STUD M 6X 14 PLATED	1	1	1	1	1	G
52	1	26226-060552	STUD M 6X 55 PLATED	2	2	2	2	2	G
53	1	26216-080182	STUD M 8X 18 PLATED	2	2	2	2	2	G
54	1	26366-080002	NUT M 8	2	2	2	2	2	G
55	1	114250-13200	GASKET, MUFFLER	1	1	1	1	1	G
55-1	1	114250-13201	GASKET (NON-ASB.)	1	1	1	1	1	G
		(A=E69194)							

Fig.3. CRANKSHAFT, PISTON & CAMSHAFT
3. CRANKSHAFT, PISTON & CAMSHAFT



Remarks
(1)OVER-SIZED PARTS.
(2)UNDER-SIZED PARTS.

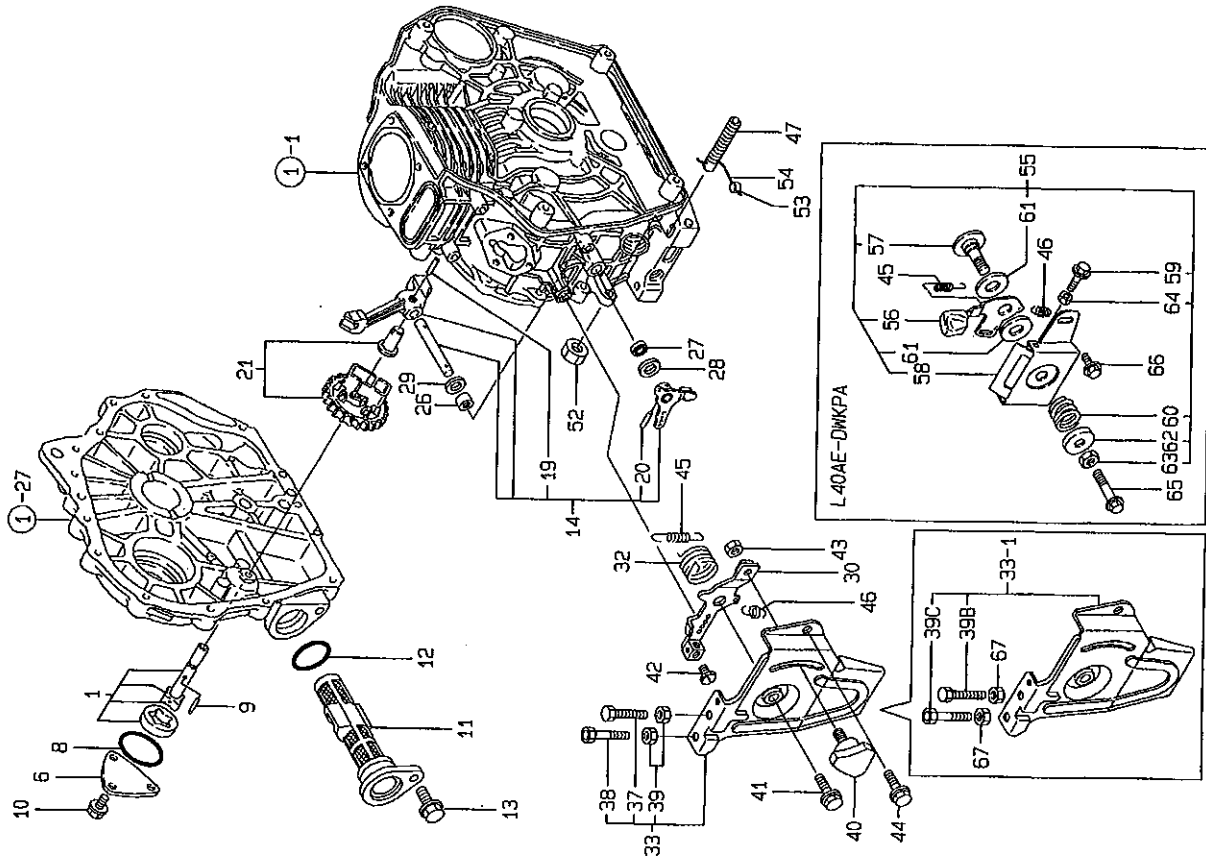
Y00V1311 3. CRANKSHAFT, PISTON & CAMSHAFT

(A)=L40AE-DWK
(B)=L40AE-DWKPA
(C)=L40AE-DWK2
(D)=
(E)=
(F)=

REF.	LEV.	PARTS NO.	DESCRIPTION	QTY					
				(A)	(B)	(C)	(D)	(E)	(F)
1	1	714780-14580	CAMSHAFT (D) ASSY	1	1				
1A	1	714288-14580	CAMSHAFT ASSY						
6	1	114250-14200	TAPPET	2	2	2			
7	1	114250-14260	TAPPET, FUEL	1	1	1			
8	1	114250-14450	ROD, PUSH	2	2	2			
12	1	714284-21700	CRANKSHAFT ASSY. (DV)	1	1	1			
12A	1	714288-21700	CRANKSHAFT ASSY. (D/DE)						
20	1	103854-01221	NUT M16	1	1	1			
21	1	114780-21400	FLYWHEEL (D)	1	1	1			
21A	1	114288-21401	FLYWHEEL						
23	1	114250-21550	WASHER, FLYWHEEL	1	1	1			
24	1	22512-040120	KEY 4X 12	1	1	1			
25	1	714280-22720	PISTON WRINGS	1	1	1			
27	2	714250-22502	RING SET, PISTON	1	1	1			
33	1	114250-22302	PIN, PISTON D=19	1	1	1			
34	1	22252-000190	CIRCLIP 19	2	2	2			
35	1	714250-23703	ROD ASSY, CONNECTING	1	1	1			
38	2	114250-23200	BOLT, ROD	2	2	2			
39	2	114250-23220	NUT, ROD BOLT	2	2	2			
40	2	114250-23250	WASHER	2	2	2			
41	2	22312-030080	PARALLEL PIN 3X 8	2	2	2			
42	2	714250-23600	BEARING, CRANKPIN	1	1	1			
44	1	714770-28510	SHAFT ASSY, BALANCER	1	1	1			
49	1	24101-062024	BALL BEARING	2	2	2			
50	1	714280-22620	PISTON WRING OS=25	1	1	1			
52	2	714250-22542	RING SET O.S=0.25	1	1	1			
56	1	714280-22580	PISTON WRING OS=0.5	1	1	1			
58	2	714250-22550	RING SET O.S=0.50	1	1	1			
62	1	714250-23610	BEARING, PIN(U.S=0.25	1	1	1			
64	1	714250-23620	BEARING, PIN(U.S=0.50	1	1	1			
66	1	160310-14550	WASHER	1	1	1			
67	1	160642-21150	KEY 4.7X30	1	1	1			
68	1	160642-21250	BOLT 5/15-24UNF	1	1	1			

Fig.4.LUB. OIL PUMP & GOVERNOR

4. LUB. OIL PUMP & GOVERNOR



Remarks
(G) THESE PARTS ARE SOLD BY FIG.7.
REF. NO.6

Y00V1311 4.LUB. OIL PUMP & GOVERNOR

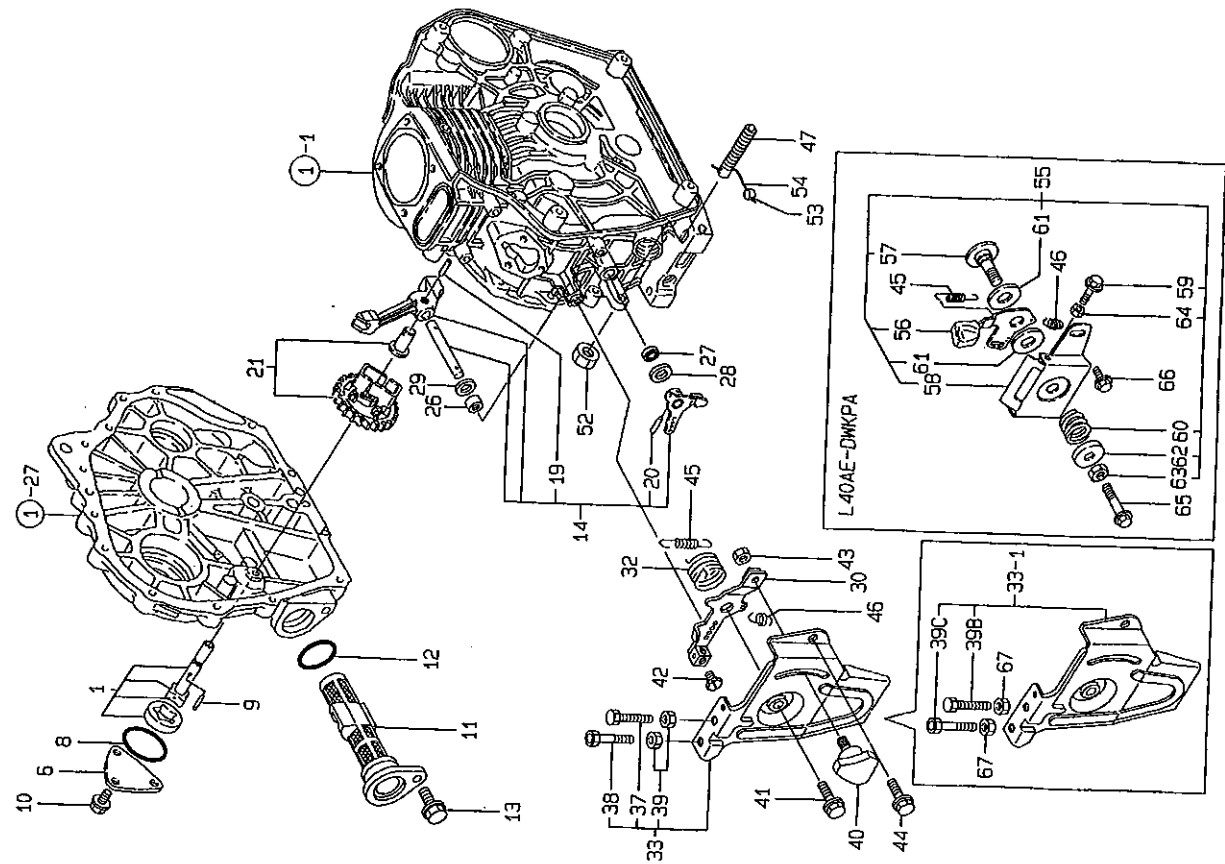
(A)=L40AE-DWK (D)=
(B)=L40AE-DWKP (E)=
(C)=L40AE-DWKC (F)=

REF.	LEV.	PARTS NO.	DESCRIPTION	QTY					
				(A)	(B)	(C)	(D)	(E)	(F)
1	1	114250-32010	PUMP ASSY, LUB. OIL	1	1	1			
6	1	114250-32070	COVER, LUB. OIL PUMP	1	1	1			
8	1	103338-32570	O-RING	1	1	1			
9	1	22312-030160	PARALLEL PIN 3X16	1	1	1			
10	1	26476-060142	BOLT M 6X 14, TAPPING	3	3	3			
11	1	114250-35070	STRAINER, LUB. OIL	1	1	1			
12	1	24341-000224	O-RING 1A S-22.4	1	1	1			
13	1	26106-060162	BOLT M 6X 16 PLATED	1	1	1			
14	1	714250-61500	LEVER ASSY. GOVERNOR	1	1	1			
19	2	22322-030200	TAPER PIN 3X20	1	1	1			
20	2	22322-030200	TAPER PIN 3X20	1	1	1			
21	1	714770-61700	GOVERNOR ASSY	1	1	1			
26	1	121450-61520	NEEDLE BEARING FJ810	2	2	2			
26-1	1	114270-61520	NEEDLE BEARING FJ810	2	2	2			
		(A=E26086)							
27	1	114770-61600	SEAL, OIL	1	1	1			
28	1	114770-61610	WASHER, THRUST	1	1	1			
29	1	22137-080000	WASHER 8, POLISHED	1	1	1			
29-1	1	114770-61190	WASHER	1	1	1			
		(A=E69194)							
30	1	114250-66050	HANDLE, REGULATOR	1	1	1			
32	1	114252-66252	SPRING, RETURN	1	1	1			
33	1	714268-66500	BRACKET ASSY, REGULAT	1	1	1			
33-1	1	114268-66500	BRACKET, REGULATOR	1	1	1			
		(A=E69194)							
37	2	114250-66440	BOLT, ADJUSTING	1	1	1			
		(A=E69194)							
38	2	102100-67080	BOLT, ADJUSTING	1	1	1			
		(A=E69194)							
39	2	26757-060002	LOCK NUT M 6 PLATED	2	2	2			
		(A=E69194)							
39B	2	114250-66440	BOLT, ADJUSTING	1	1	1			
		(A=E69194)							
39C	2	102100-67080	BOLT, ADJUSTING	1	1	1			
		(A=E69194)							
40	1	160725-78350	KNOB (W/M 6X15)	1	1	1			
41	1	26106-060202	BOLT M 6X 20 PLATED	1	1	1			
42	1	26117-040088	BOLT M 4X 8 PLATED	1	1	1			
43	1	26347-060002	U-NUT M6	1	1	1			
44	1	26476-060142	BOLT M 6X 14, TAPPING	1	1	1			
45	1	114770-66010	SPRING, REGULATOR	1	1	1			
46	1	114250-66200	SPRING, RETURN	1	1	1			
47	1	114250-66550	TORQUE SPRING ASSY	1	1	1			
52	1	26696-100002	NUT M10	1	1	1			
53	1	135210-61090	LEAD	2	2	2			
54	1	22451-060000	WIRE 0.6	2	2	2			
55	1	183250-66500	BRACKET ASSY REGULAT	1	1	1			
56	2	183250-66050	HANDLE, REGULATOR	1	1	1			
57	2	183250-66070	SHAFT, HANDLE	1	1	1			
58	2	183250-66100	BRACKET, REGULATOR	1	1	1			
59	2	114250-66440	BOLT, ADJUSTING	1	1	1			
60	2	104200-66820	SPRING	1	1	1			
61	2	104200-66830	PLATE, FRICTION	2	2	2			
62	2	104200-66850	WASHER (B)	1	1	1			

++ CONTINUE ++

Fig.4.LUB. OIL PUMP & GOVERNOR

4.LUB.OIL PUMP & GOVERNOR



Y00V1311 4.LUB. OIL PUMP & GOVERNOR

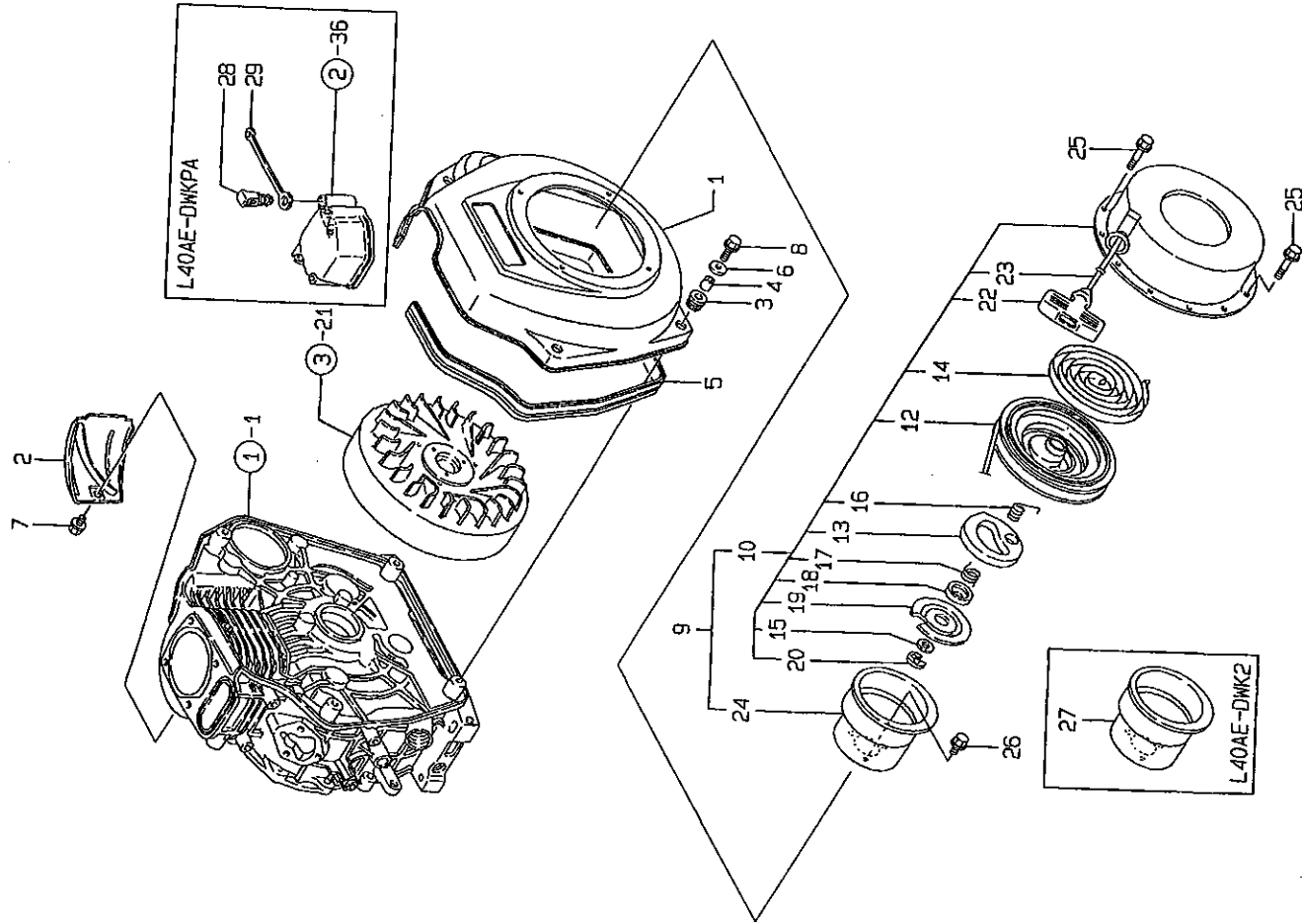
(A)=L40AE-DWK
 (B)=L40AE-DWKPA
 (C)=L40AE-DWK2
 (D)=
 (E)=
 (F)=

REF.	LEV.	PARTS NO.	DESCRIPTION	(A)	(B)	(C)	(D)	(E)	(F)
63	2	26696-100002	NUT M10	1					
64	2	26757-060002	NUT 6	1					
65	1	26108-060452	BOLT M 6X 45 PLATED	1					
66	1	26476-060142	BOLT M 6X 14, TAPPING	1					
67	1	26757-060002	NUT M 6, LOCK	2					
(A=E69194)				2					

Remarks
 (G) THESE PARTS ARE SOLD BY FIG. 7.
 REF. NO. 6.

Fig.5.COOLING & STARTING DEVICE

5.COOLING & STARTING DEVICE



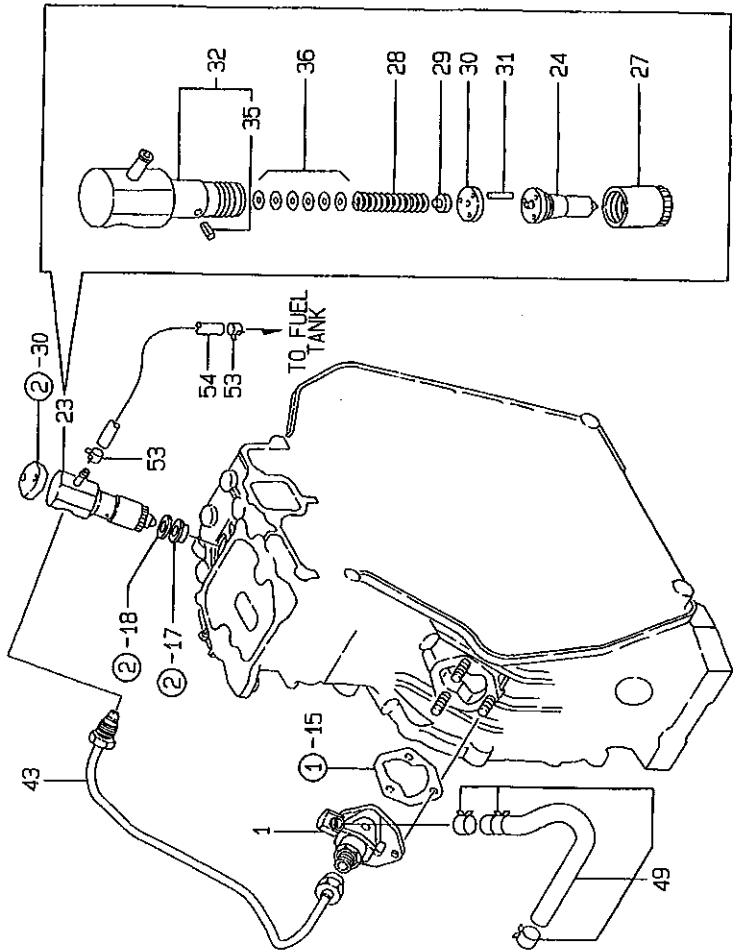
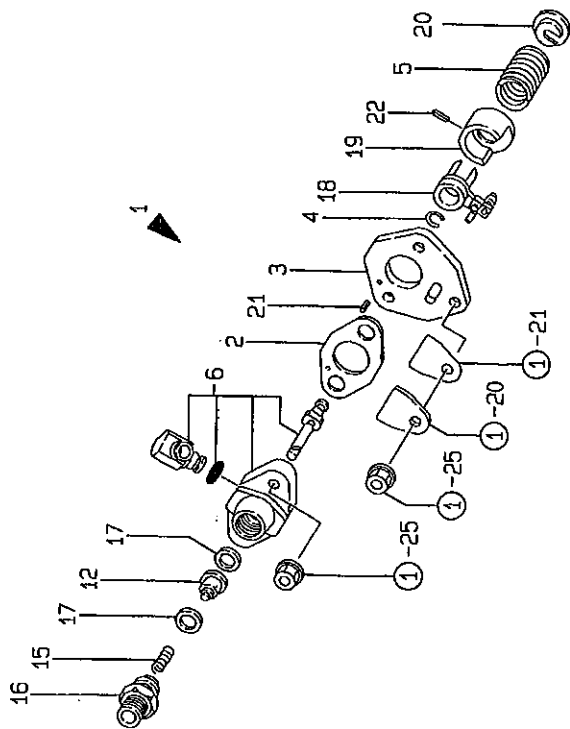
Y00V1311 5.COOLING & STARTING DEVICE

(A)=L40AE-DWK
 (B)=L40AE-DWKPA
 (C)=L40AE-DWK2
 (D)=
 (E)=
 (F)=

REF.	LEV.	PARTS NO.	DESCRIPTION	QTY					
				(A)	(B)	(C)	(D)	(E)	(F)
1	1	114274-45100	CASE, COOLING FAN	1					
1A	1	114788-45100	CASE,FAN(SILVER)(17)		1				
2	1	114250-45211	COVER, CYLINDER	1	1				
3	1	114250-45300	RUBBER, CUSHION	4	4				
3A	1	114250-45301	RUBBER, CUSHION						
4	1	114250-45310	COLLAR	4	4				
5	1	114250-45330	SEAL, FAN CASE	4	4				
6	1	160120-76940	WASHER	1	1				
(A=E44271)				4					
7	1	26476-060142	BOLT M 6X 14,TAPPING	1	1				
8	1	26476-060252	BOLT M 6X 25,TAPPING	1	1				
8-1	1	114370-45350	BOLT, FAN CASE	4	4				
(A=E44271)				4	4				
9	1	114260-76050	RECOIL STARTER(D)ASY	1	1				
10	2	114260-76250	RECOIL STARTER(D)ASY	1	1				
12	3	160260-76520	REEL, RECOIL	1	1				
13	3	160260-76530	RATCHET	1	1				
14	3	160260-76540	SPRING, SPIRAL	1	1				
15	3	160260-76550	WASHER, THRUST	1	1				
16	3	160260-76560	SPRING, FRICTION	1	1				
17	3	160290-76570	SPRING, RETURN	1	1				
18	3	160260-76580	COVER, SPRING	1	1				
19	3	160260-76590	PLATE, FRICTION	1	1				
20	3	160260-76600	CIRCLIP(E)	1	1				
22	3	160260-76620	KNOB, STARTER	1	1				
23	3	160260-76630	ROPE, STARTER	1	1				
24	2	114250-76590	PULLEY, STARTER	1	1				
25	1	26106-060082	BOLT M 6X 8 PLATED	4	4				
26	1	26106-060122	BOLT M 6X 12 PLATED	3	3				
27	1	114250-56590	PULLEY, STARTER	3	3				
28	1	114250-76600	PLUNGER	1	1				
29	1	114250-76610	HOLDER, PLUNGER	1	1				

Fig.6.FUEL INJECTION PUMP

6.FUEL INJECTION PUMP



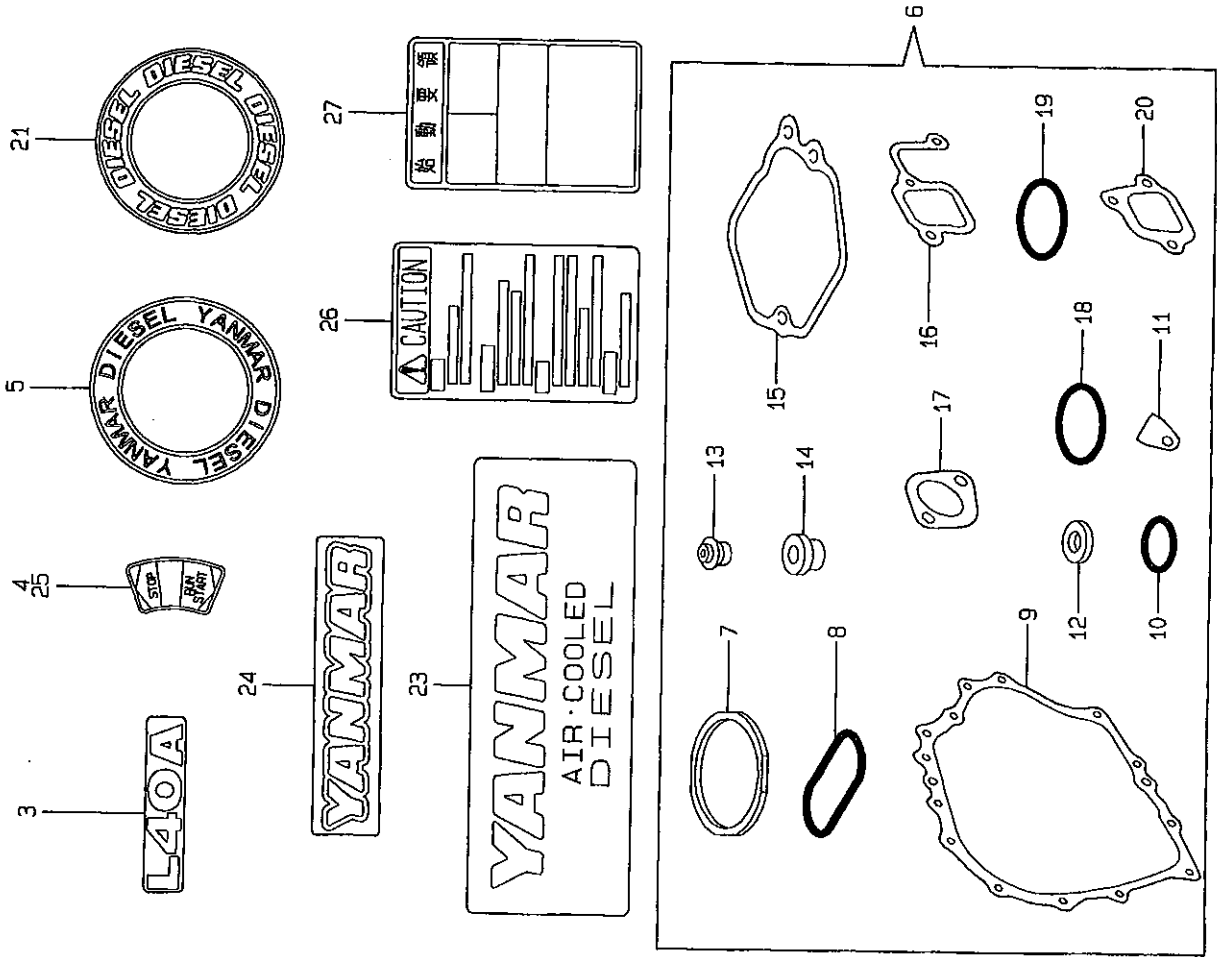
Y00V1311 6.FUEL INJECTION PUMP

(A)=L40AE-DWK (D)=
 (B)=L40AE-DWKPA (E)=
 (C)=L40AE-DWK2 (F)=

REF.	LEV.	PARTS NO.	DESCRIPTION	QTY					
				(A)	(B)	(C)	(D)	(E)	(F)
1		714250-51710	PUMP ASSY, F.INJECT.	1	1	1	1	1	1
2		105546-51020	GASKET	1	1	1	1	1	1
3		114250-51080	PLATE	1	1	1	1	1	1
4		114250-51150	RING, SNAP	1	1	1	1	1	1
5	(A=EXXX)	114250-51160	SPRING	1	1	1	1	1	1
6		114250-51200	BODY, F.I. PUMP	1	1	1	1	1	1
12		114250-51300	VALVE ASSY, DELIVERY	1	1	1	1	1	1
15		105546-51330	SPRING, DELIV. VALVE	1	1	1	1	1	1
16		114250-51340	HOLDER, F.I.P.DELIVE	1	1	1	1	1	1
17		124550-51350	GASKET, DELIVERY	2	2	2	2	2	2
18		114250-51600	LEVER ASSY, CONTROL	1	1	1	1	1	1
19		114250-51640	SEAT (A), SPRING	1	1	1	1	1	1
20		114250-51650	SEAT (B), SPRING	1	1	1	1	1	1
21		22351-020006	SPRING PIN 2X 6	2	2	2	2	2	2
22		22351-030008	SPRING PIN 3X 8	1	1	1	1	1	1
23		714250-53101	VALVE ASSY, F.INJECT	1	1	1	1	1	1
24		114250-53001	NOZZLE ASSY, F.INJECT	1	1	1	1	1	1
27		114250-53080	NUT, NOZZLE CASE	1	1	1	1	1	1
28		114250-53120	SPRING, NOZZLE	1	1	1	1	1	1
29		114250-53130	SEAT, NOZZLE SPRING	1	1	1	1	1	1
30		114250-53140	PLATE, STOP	1	1	1	1	1	1
31		114250-53210	PIN	2	2	2	2	2	2
32		114250-53300	HOLDER ASSY, NOZZLE	1	1	1	1	1	1
35		114250-53331	PIN, SPRING	1	1	1	1	1	1
36		114250-53400	SHIM PACK	1	1	1	1	1	1
43		114250-59800	PIPE, FUEL INJECTION	1	1	1	1	1	1
49		183366-59010	PIPE ASSY, FUEL	1	1	1	1	1	1
53	(A=EXXX)	124722-59050	CLAMP 9	2	2	2	2	2	2
54	(A=EXXX)	183250-59060	PIPE, FUEL RETURN	1	1	1	1	1	1

Fig.7. LABEL & GASKET SET(OPTIONAL)

7. LABEL & GASKET SET (OPTIONAL)



Remarks
(1)OPTIONAL PARTS.

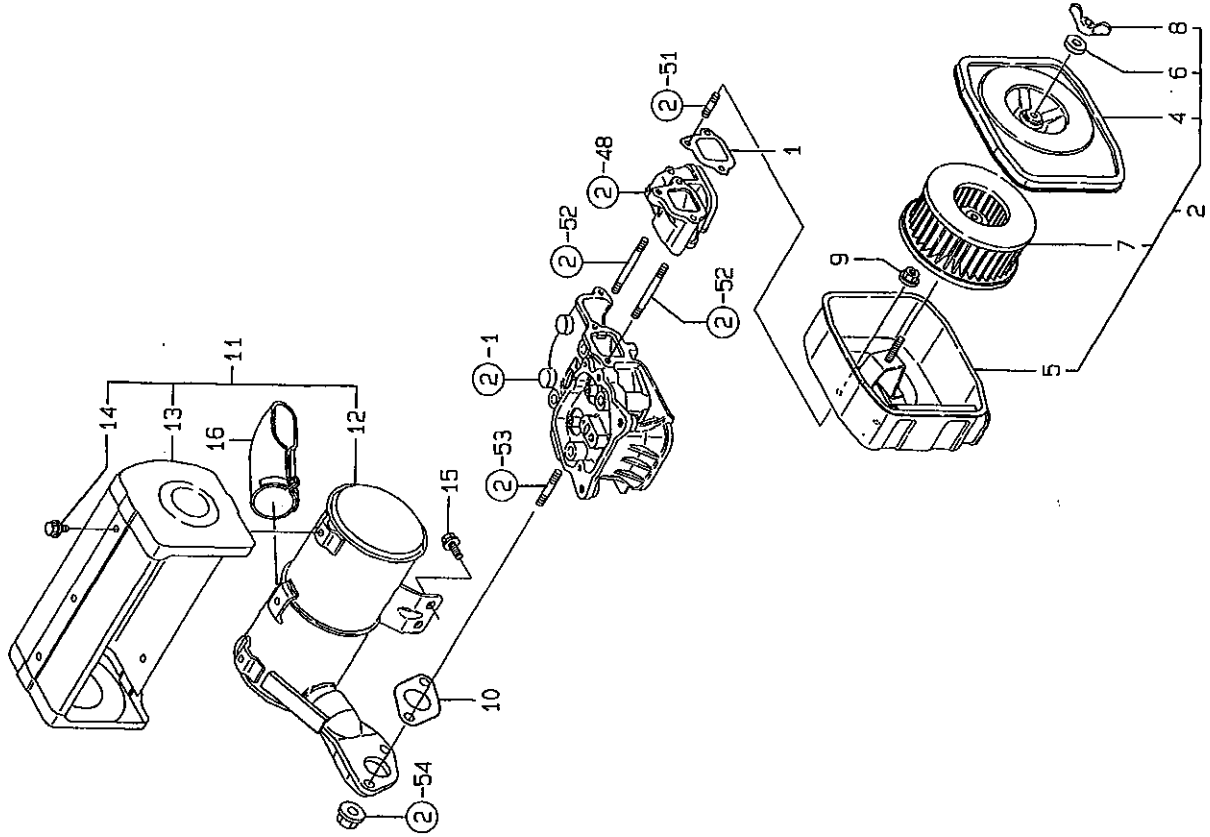
Y00V1311 7. LABEL & GASKET SET(OPTIONAL)

(A)=L40AE-DWVK (D)=
(B)=L40AE-DWPKA (E)=
(C)=L40AE-DWK2 (F)=

REF.	LEV.	PARTS NO.	DESCRIPTION	QTY						
				(A)	(B)	(C)	(D)	(E)	(F)	
3	1	114270-07050 (A=E69194)	LABEL,(L40A)	1						Z
4	1	114250-07260 (A=E69194)	LABEL, OPERATION	1						Z
5	1	114250-07350 (A=E69194)	LABEL, YANMAR DIESEL	1						Z
6	1	714280-92600	GASKET SET	1					1	1
6A	1	714288-92600	GASKET SET	1					1	1
7	2	114250-07340	GASKET, CYL. HEAD	1					1	1
8	2	114250-01380	O-RING	1					1	1
9	2	114250-01412	GASKET, CRANK CASE	1					1	1
10	2	24311-000180	O-RING 1A P-18.0	2					2	2
11	2	114250-01840	GASKET	1					1	1
11-1	2	114250-01841 (A=E69194)	GASKET	1					1	1
12	2	43400-500490	SEAL WASHER 16	2					2	2
12-1	2	22190-160002 (A=E48633)	SEAL WASHER 16S	2					2	2
13	2	114250-11340	SEAL, VALVE STEM	2					2	2
14	2	114250-11460	GASKET, NOZZLE	1					1	1
15	2	114250-11310	GASKET, BONNET	1					1	1
15-1	2	114250-11311 (A=E69194)	GASKET, BONNET	1					1	1
16	2	114250-12200	GASKET, AIR INTAKE	1					1	1
16-1	2	114250-12201 (A=E69194)	GASKET, AIR INTAKE	1					1	1
17	2	114250-13200	GASKET, MUFFLER	1					1	1
17-1	2	114250-13201 (A=E69194)	GASKET (NON-ASS.)	1					1	1
18	2	103338-32570	O-RING	1					1	1
19	2	24341-000224	O-RING 1A S-22.4	1					1	1
20	2	114250-12211	GASKET, AIR CLEANER	1					1	1
21	1	114261-07350 (A=E69194)	LABEL	1					1	1
23	1	114250-07090	LABEL, AIR COOLED	1					1	1
24	1	114250-07111	LABEL, YANMAR	1					1	1
25	1	183250-07230	LABEL, OPERATION	1					1	1
26	1	114268-07240	LABEL, CAUTION	1					1	1
27	1	114268-07350	LABEL, HOW TO START	1					1	1

Fig.8.AIR CLEANER & MUFFLER

8. AIR CLEANER & MUFFLER



Y00V1311 8. AIR CLEANER & MUFFLER

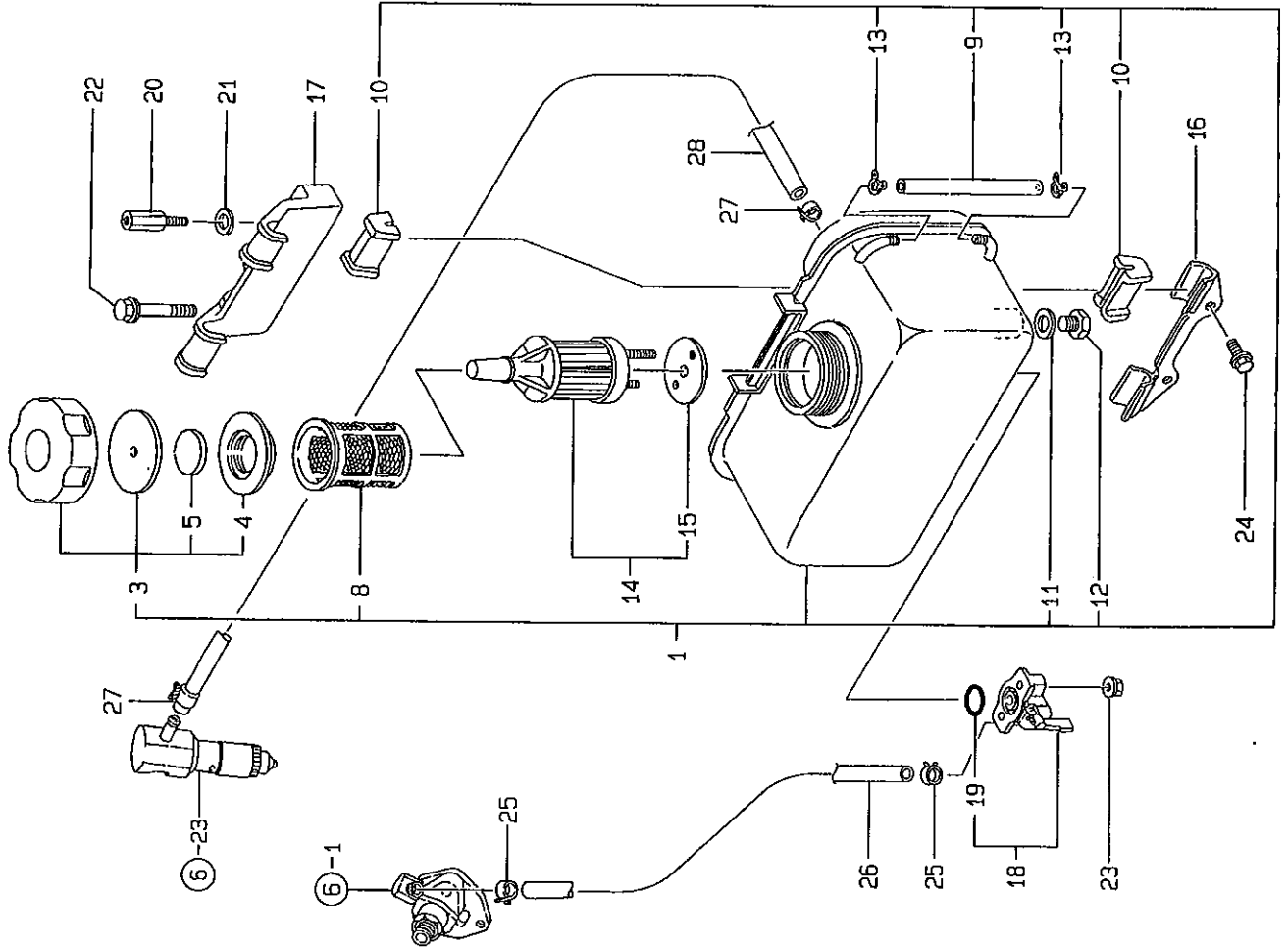
(A)=L40AE-DWK (D)=
 (B)=L40AE-DWPKA (E)=
 (C)=L40AE-DWK2 (F)=

REF.	LEV.	PARTS NO.	DESCRIPTION	(A)	(B)	(C)	(D)	(E)	(F)	QTY	I	R
1	1	114250-12211	GASKET, AIR CLEANER		1							G
2	1	714250-12560	CLEANER ASSY, AIR		1							
4	2	114250-12520	COVER, AIR CLEANER		1							
5	2	114250-12530	CASE, AIR CLEANER		1							
6	2	114250-12560	WASHER M 6, SEAL		1							
7	2	114250-12580	ELEMENT, WET AIR		1							
8	2	114250-12550	WING-NUT, M 6		1							
9	1	26366-060002	NUT M 6		3							
10	1	114250-13201	GASKET (NON-ASB.)		1							G
11	1	114250-13521	MUFFLER W/COVER		1							
12	2	114250-13531	MUFFLER		1							
13	2	114250-13701	COVER, MUFFLER		1							
14	2	26106-060082	BOLT M 6X 8 PLATED		6							
15	1	26106-060122	BOLT M 6X 12 PLATED		2							
16	1	114268-13800	EXTENSION, EXH.		1							

Remarks
 (G) THESE PARTS ARE SOLD BY FIG.7,
 REF. NO.6.

Fig.9.FUEL TANK & FUEL LINE

9.FUEL TANK & FUEL LINE



9.FUEL TANK & FUEL LINE

(A)=L40AE-DWK (D)=
 (B)=L40AE-DWKPA (E)=
 (C)=L40AE-DWK2 (F)=

REF.	LEV.	PARTS NO.	DESCRIPTION	(A)	(B)	(C)	(D)	(E)	(F)
1	1	714250-55711-R	TANK ASSY, FUEL (50)	1					
3	2	114250-55041	CAP ASSY, TANK	1					
4	3	114250-55050	GASKET, TANK CAP	1					
5	3	114250-55060	SEAL	1					
8	2	114250-55100	FILTER, FUEL	1					
9	2	114250-55150	PIPE, GAUGE	1					
10	2	114250-55201	DAMPER, FUEL TANK	4					
11	2	23414-120000	GASKET 12, ROUND	1					
12	2	23887-120002	PLUG 12, HEX.	1					
13	2	124722-59050	CLAMP 9	2					
14	1	114250-55121	FILTER, FUEL OIL	1	1	1			
15	2	114250-55130	GASKET	1	1	1			
16	1	114250-55211	STAY (A)	1					
17	1	114250-55231	STAY (B)	1					
18	1	114250-55300	COCK ASSY, FUEL	1	1	1			
19	2	24341-000150	O-RING 1A S-15.0	1	1	1			
20	1	114650-55810	BOLT, LIFTING	1					
21	1	22117-080000	WASHER 8	1					
22	1	26106-080452	BOLT M 8X 45 PLATED	1					
23	1	26366-060002	NUT M 6	2	2	2			
24	1	26476-060142	BOLT M 6X 14, TAPPING	2	2	2			
25	1	106990-44660	BAND, HOSE	2					
26	1	114250-59050	PIPE, FUEL OIL	1					
27	1	124722-59050	CLAMP 9	2					
28	1	114250-59060	PIPE, FUEL RETURN	1					